

[54] **RIDING LAWN MOWER**

[76] **Inventor: George A. Wegele, Otis, Kans. 67565**

[**] **Term: 14 Years**

[21] **Appl. No.: 124,105**

[22] **Filed: Feb. 25, 1980**

[51] **Int. Cl. D15-03**
[52] **U.S. Cl. D15/15; D15/14;**
56/DIG. 10; 56/16.2
[58] **Field of Search D15/14, 15; 56/DIG. 10,**
56/16, 16.2

[56]

References Cited

U.S. PATENT DOCUMENTS

D. 171,318 1/1954 Wegele D15/15
D. 227,392 6/1973 Skyer et al. D15/15
3,154,903 11/1964 Smith 56/DIG. 10

Primary Examiner—Veronica O’Keefe
Attorney, Agent, or Firm—Schmidt, Johnson, Hovey & Williams

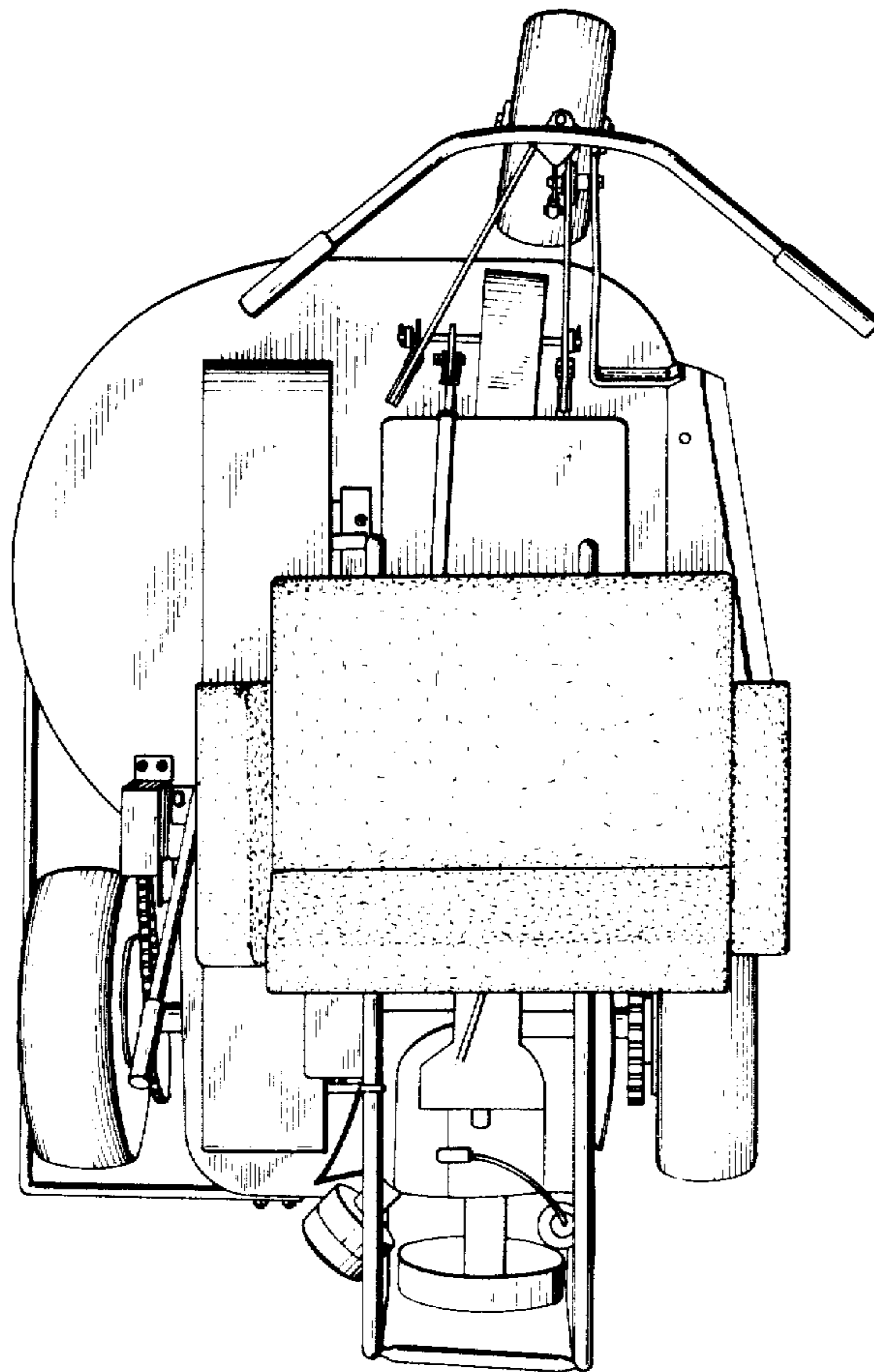
[57]

CLAIM

The ornamental design for a riding lawn mower, as shown.

DESCRIPTION

FIG. 1 is a top view of the riding lawn mower;
FIG. 2 is a view showing one side thereof;
FIG. 3 is a view showing the opposite side thereof;
FIG. 4 is a view showing the front thereof; and
FIG. 5 is a view showing the rear thereof.



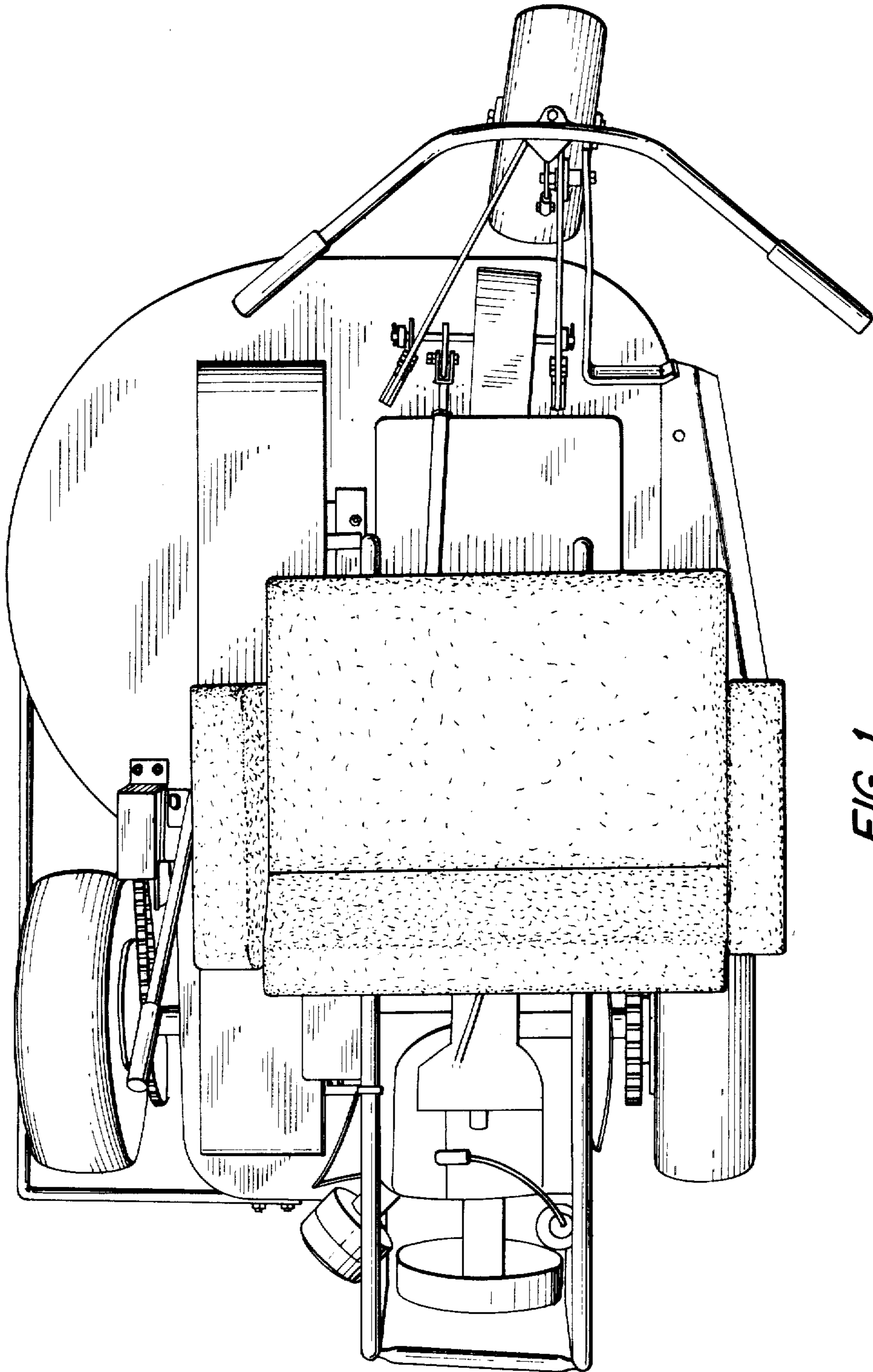


FIG. 1

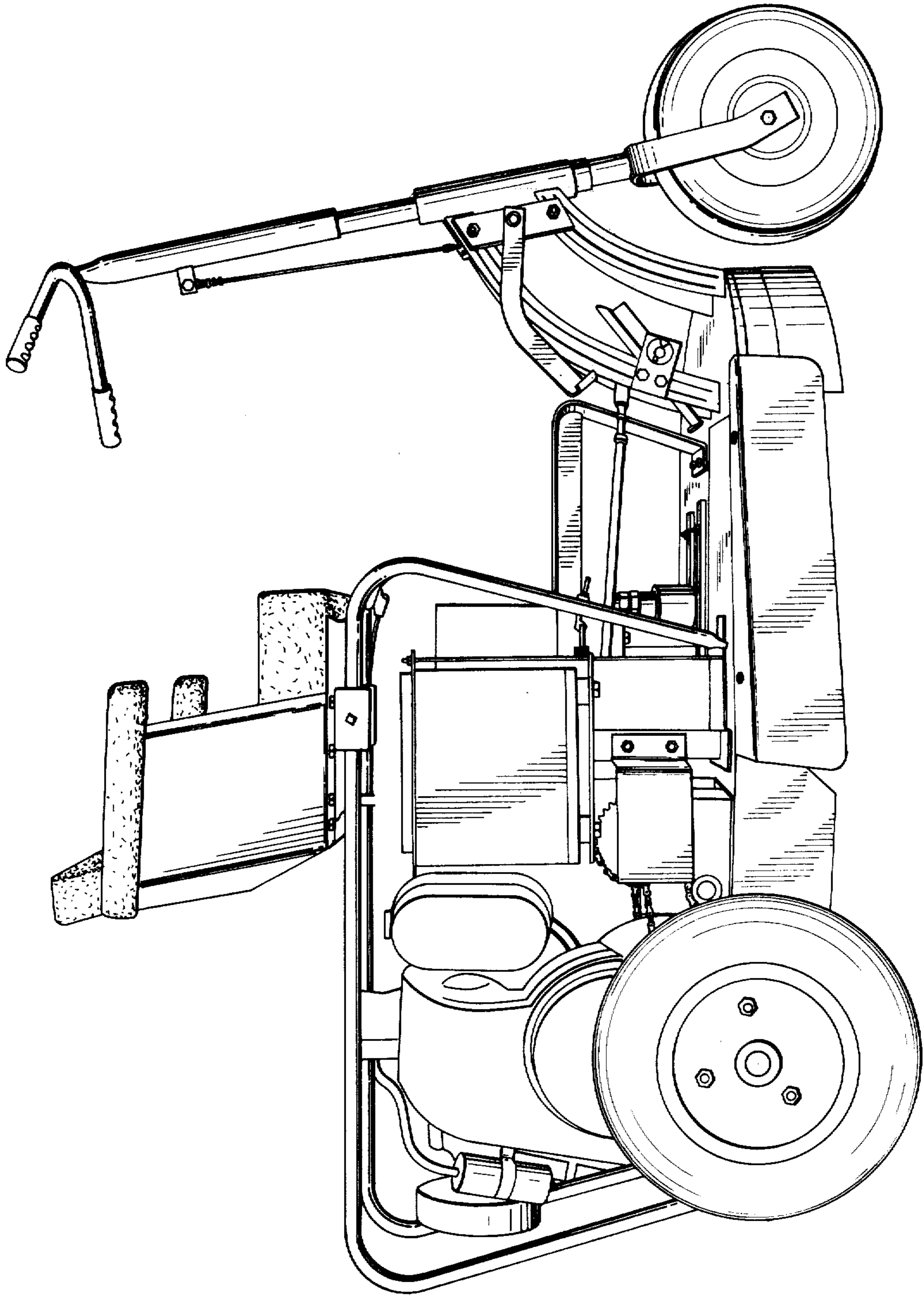


FIG. 2

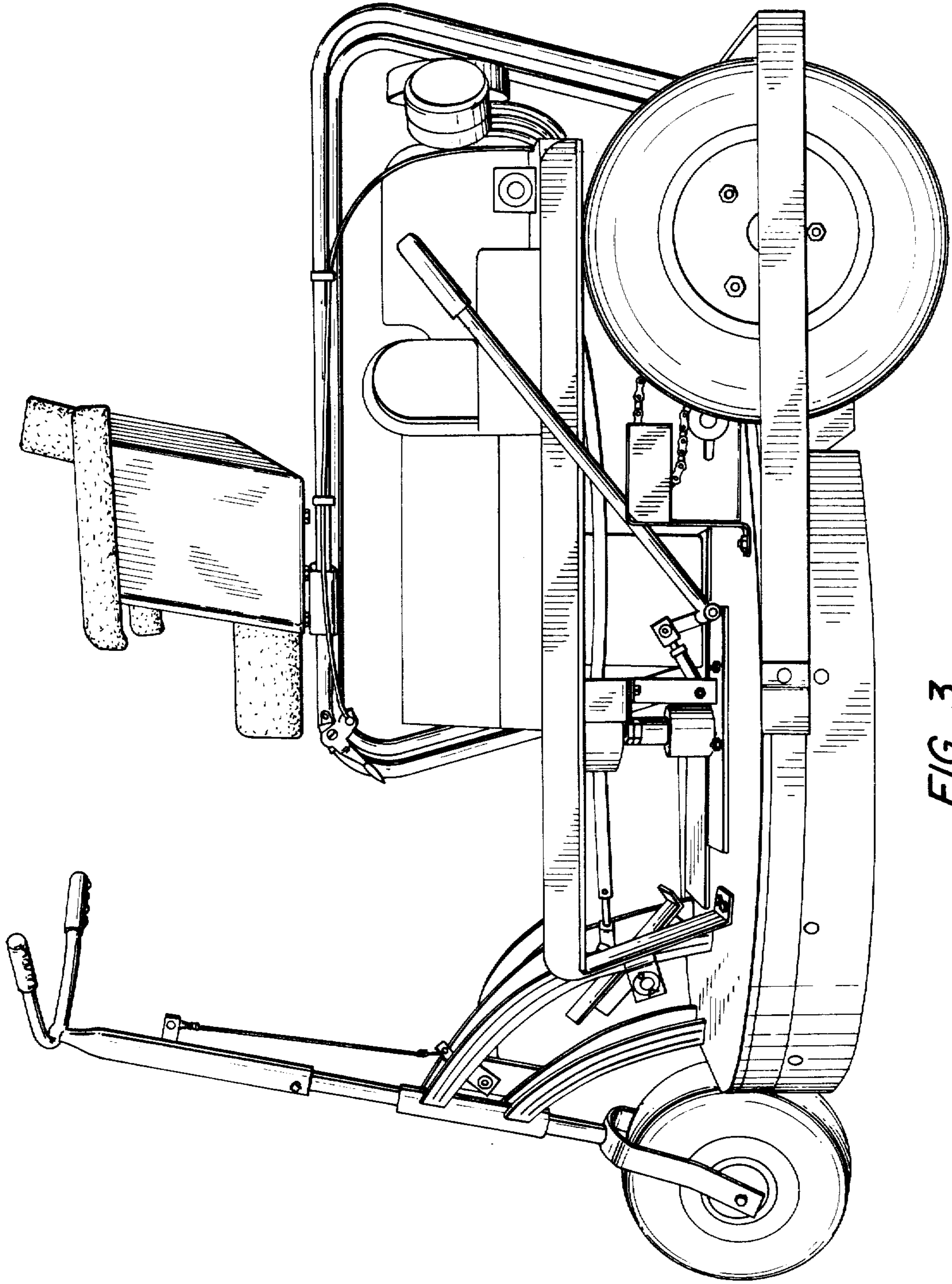


FIG. 3

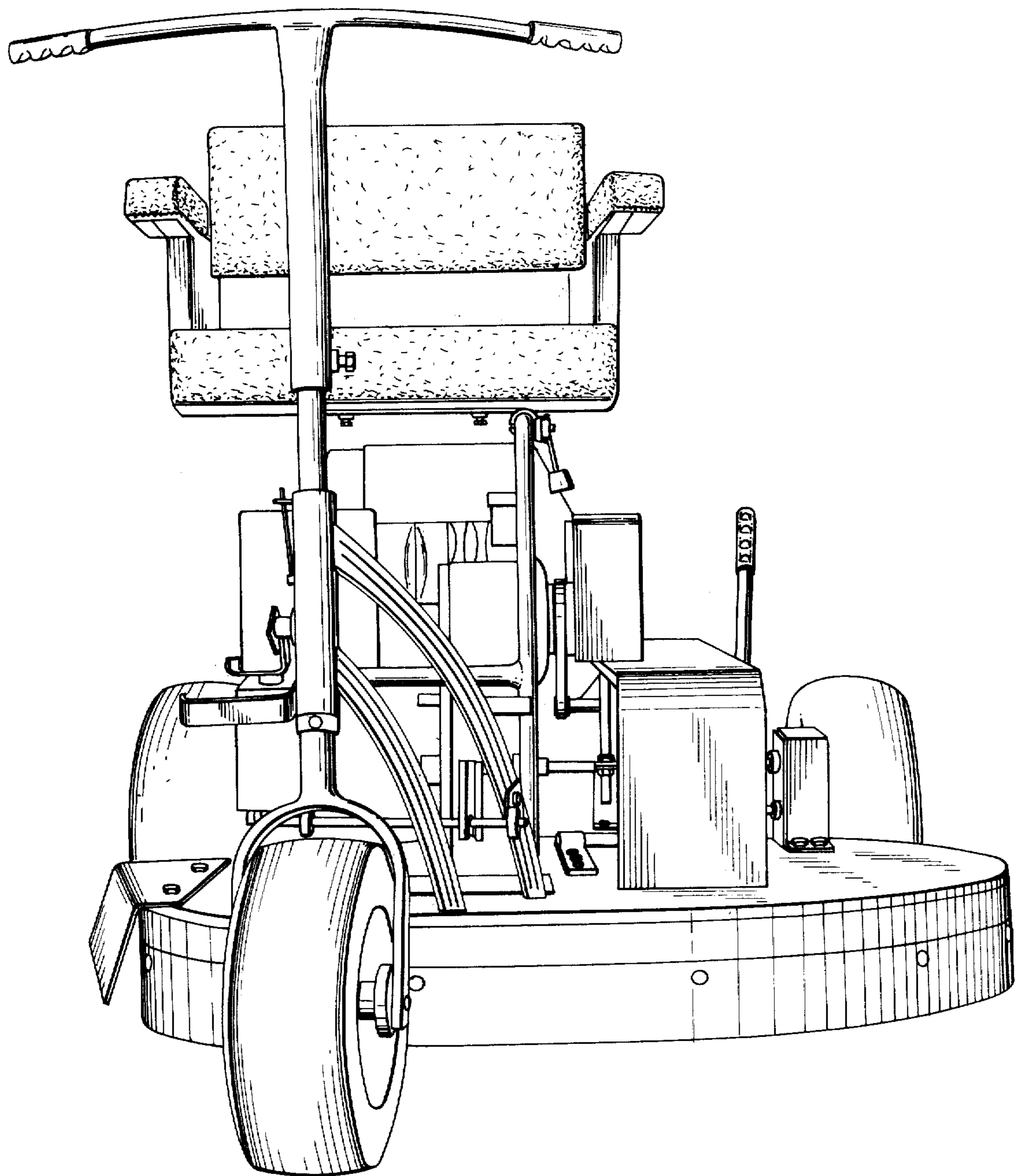


FIG. 4

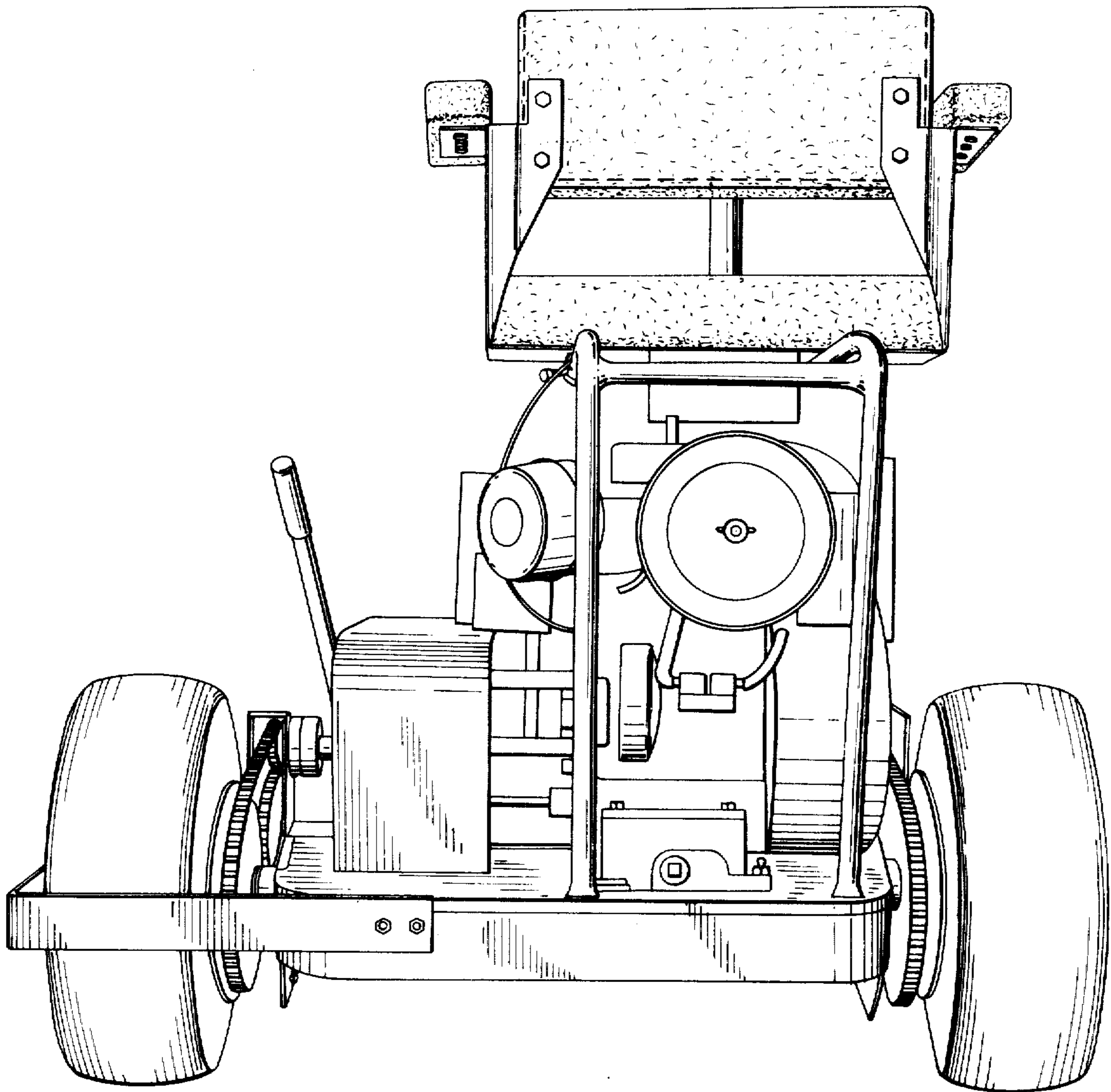


FIG. 5