

[54] COMPUTER TERMINAL

[75] Inventors: David S. Urbanus, South Easton, Mass.; Robert L. Hanson, Nashua, N.H.

[73] Assignee: Digital Equipment Corporation, Maynard, Mass.

[**] Term: 14 Years

[21] Appl. No.: 19,381

[22] Filed: Mar. 12, 1979

[51] Int. Cl. D14-02

[52] U.S. Cl. D14/100

[58] Field of Search D14/40-50; 364/900; D18/13; 400/61, 62, 691

[56] References Cited

U.S. PATENT DOCUMENTS

D. 237,906 12/1975 Hagstrom et al. D14/50
3,296,369 1/1967 Clark et al. 340/365 R X

OTHER PUBLICATIONS

Datamation, 7-1976, p. 156, Microprocessor-Floppy Disk System.

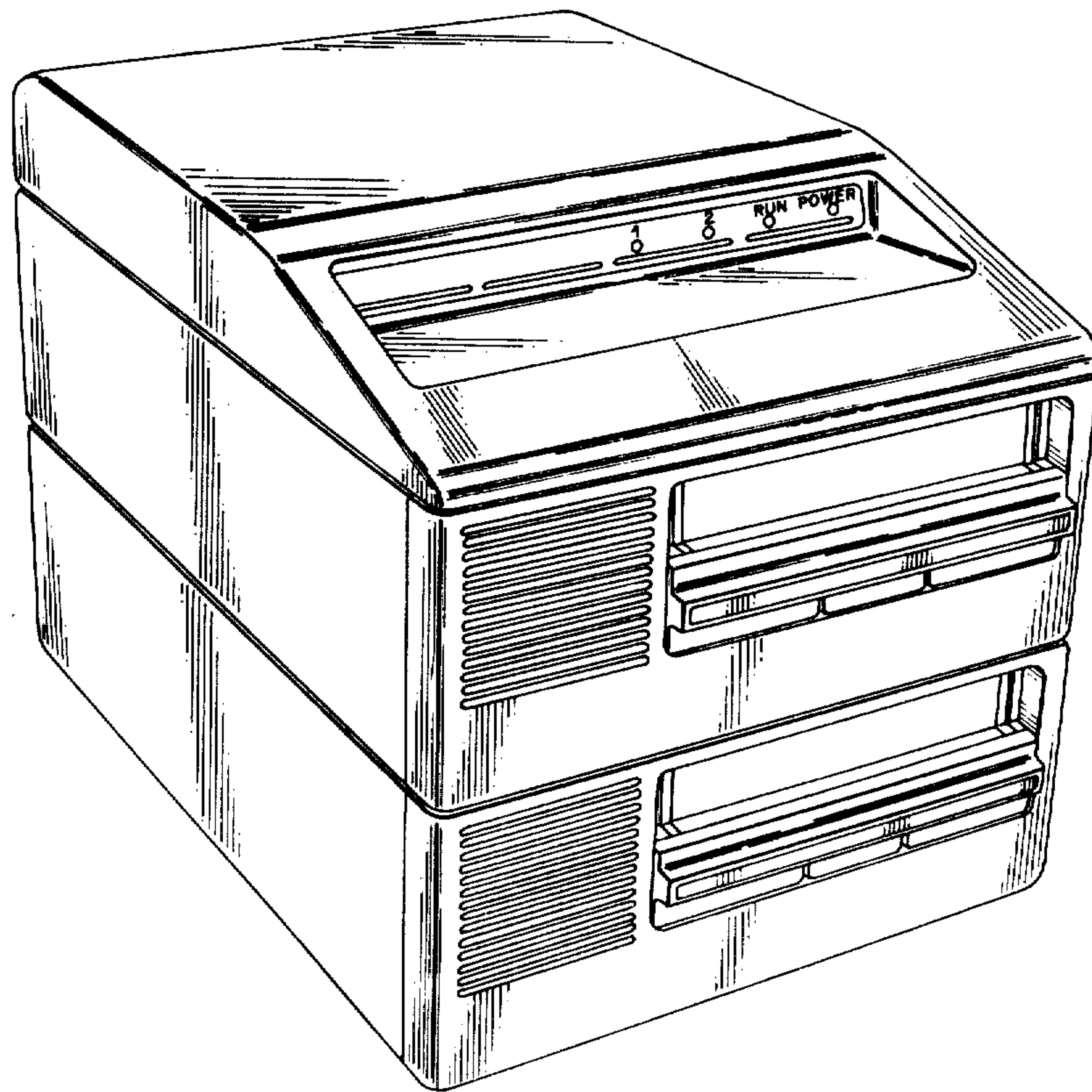
Primary Examiner—Susan J. Lucas
Attorney, Agent, or Firm—Richard M. Kotulak

[57] CLAIM

The ornamental design for a computer terminal, substantially as shown and described.

DESCRIPTION

FIG. 1 is a perspective view of a computer terminal embodying our new design;
FIG. 2 is a view from the front thereof;
FIG. 3 is a view from the top thereof;
FIG. 4 is a view from the left side thereof;



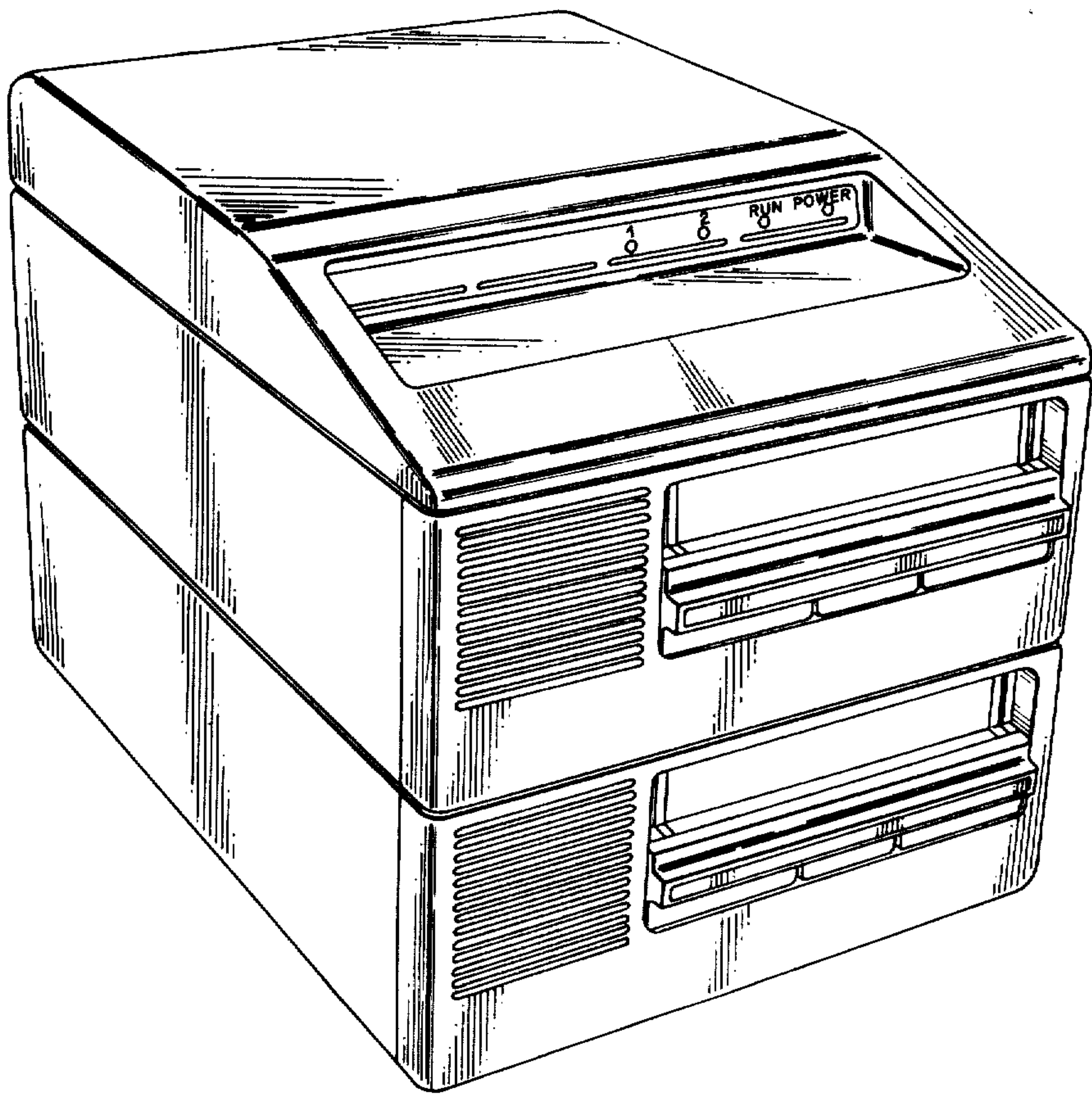


Fig. 1.

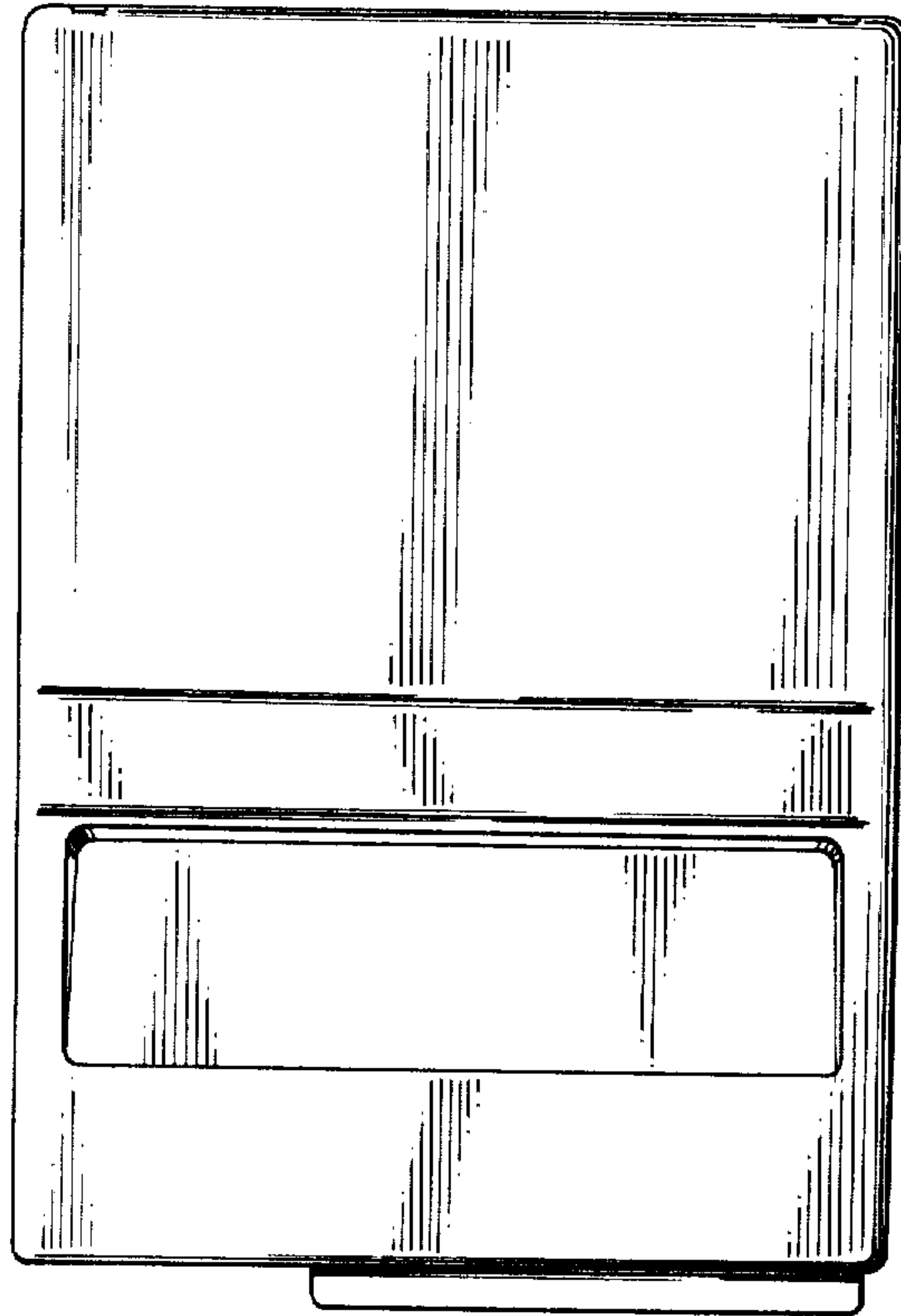


Fig. 3.

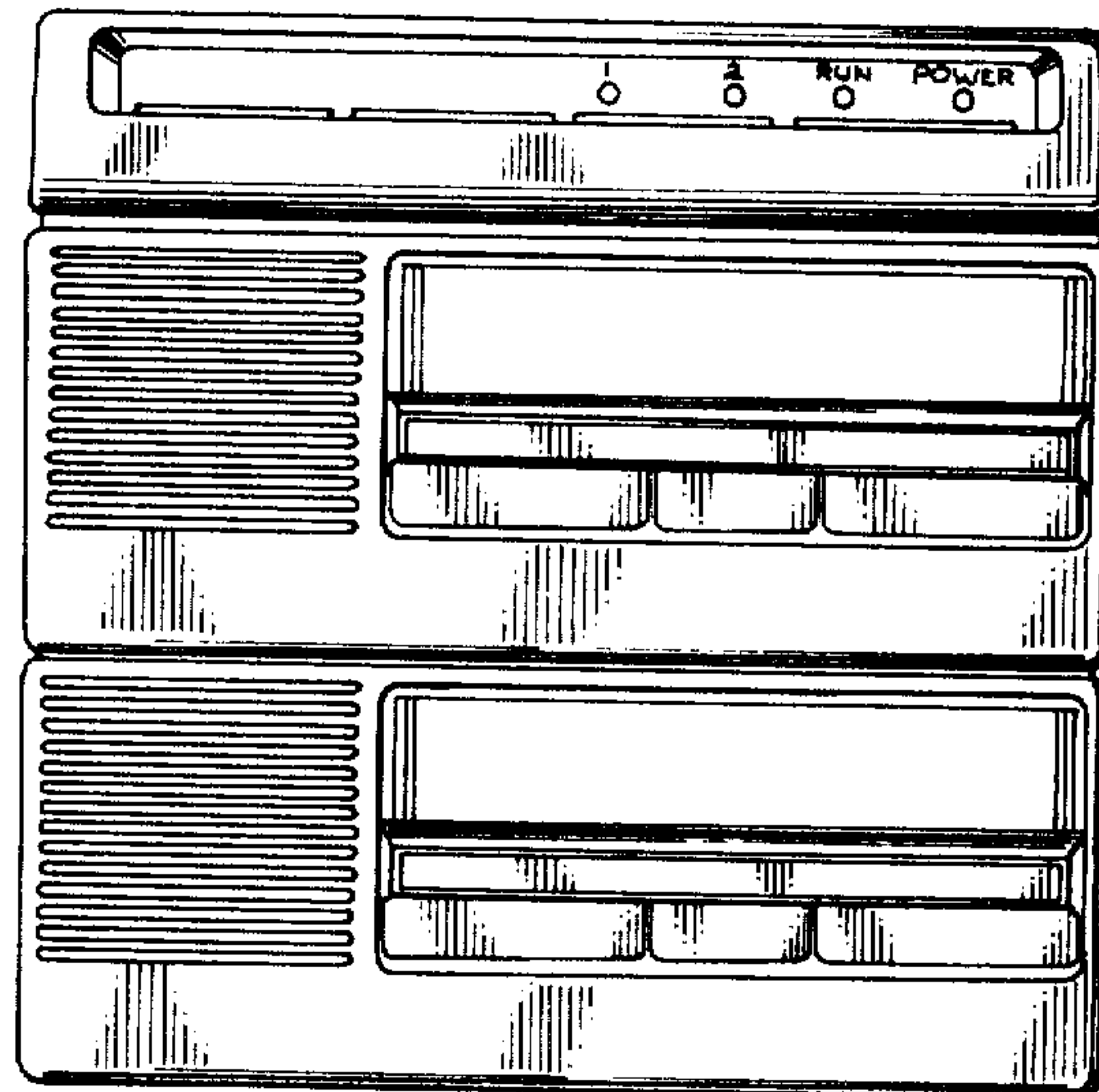


Fig. 2.

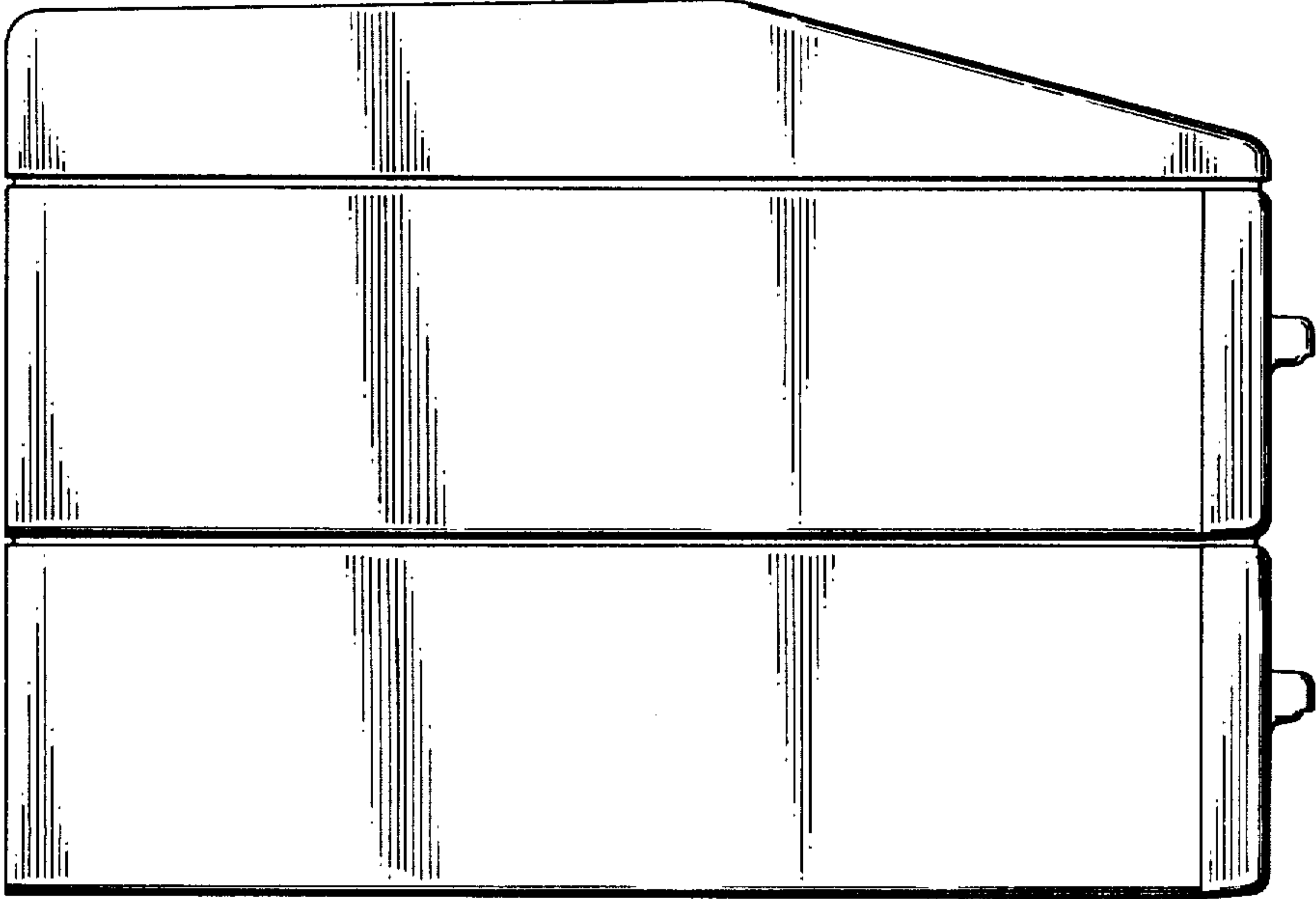


Fig. 4.