

[54] REMOTE BATTERY TERMINALS

[76] Inventor: Donald H. Caron, 507 Hollendale Dr., Dayton, Ohio 45429

[**] Term: 14 Years

[21] Appl. No.: 58,141

[22] Filed: Jul. 17, 1979

[51] Int. Cl. D13-02

[52] U.S. Cl. D13/10

[58] Field of Search D13/8, 10; 339/28, 29, 339/224

[56] References Cited

U.S. PATENT DOCUMENTS

- D. 185,743 7/1959 Edwards D13/10
- 1,701,646 2/1929 Taylor 339/29 R

- 2,112,680 3/1938 Sambleson 339/29 R
- 2,211,615 8/1940 Brickman et al. 339/29 R X
- 3,221,287 11/1965 Rooney 339/28
- 3,706,955 12/1972 Bunnell 339/28

Primary Examiner—A. Hugo Word
Attorney, Agent, or Firm—Jacox & Meckstroth

[57] CLAIM

The ornamental design for a remote battery terminal, substantially as shown.

DESCRIPTION

FIG. 1 is a perspective view of remote battery terminals showing my new design;
FIG. 2 is a side elevational view thereof;
FIG. 3 is a top view thereof;
FIG. 4 is a bottom view thereof;
FIG. 5 is one end view thereof; and
FIG. 6 is the opposite end view thereof.

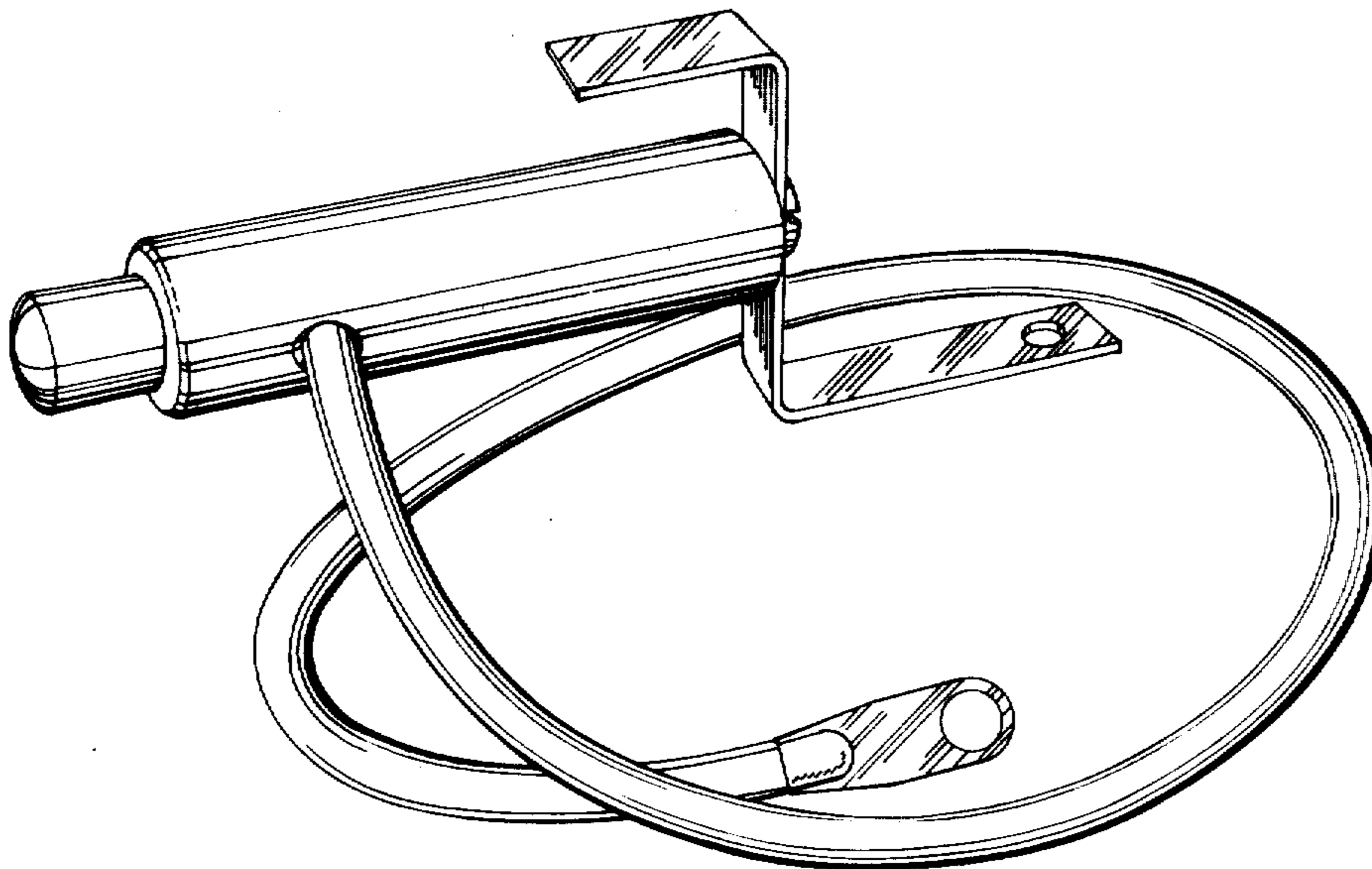


FIG. 1

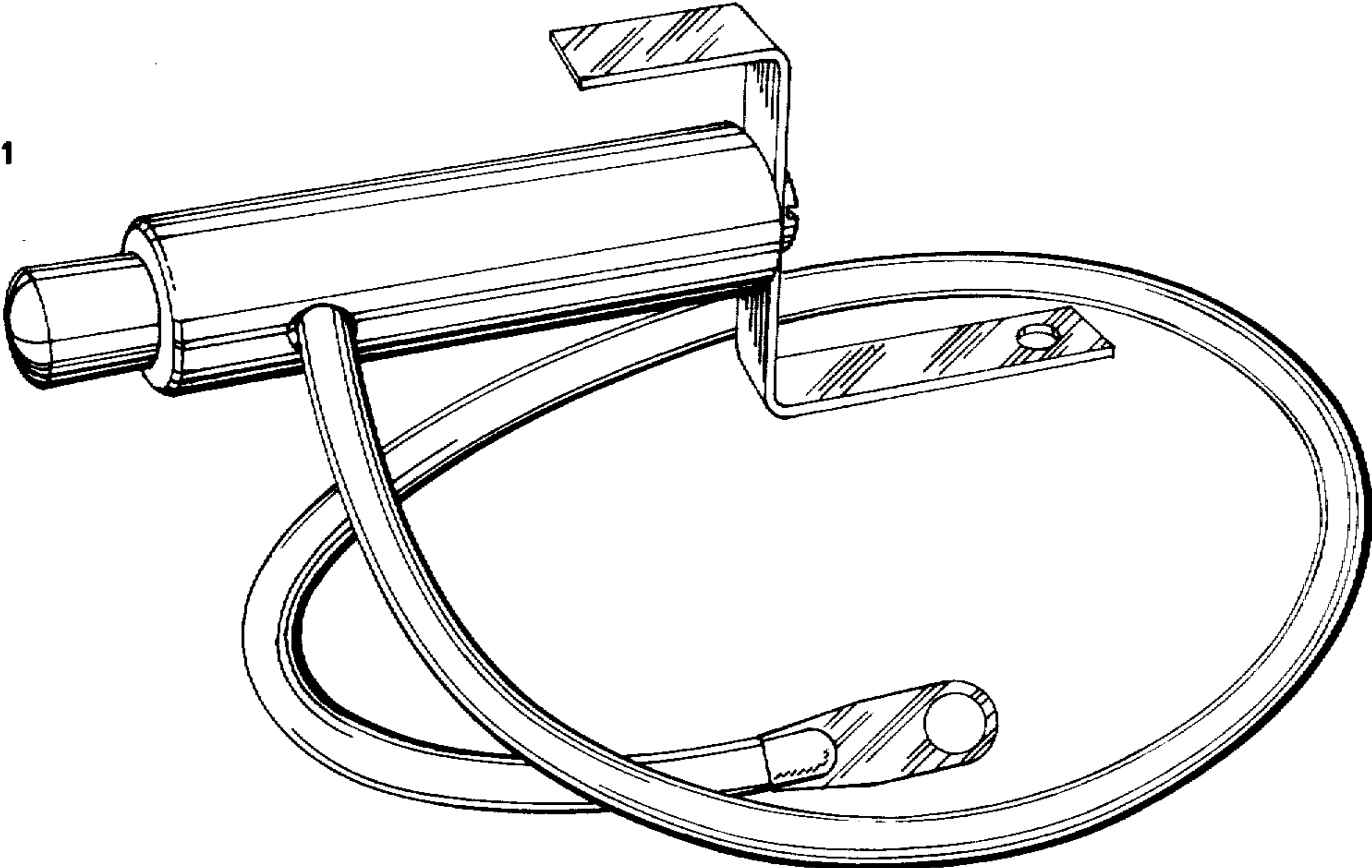


FIG. 2

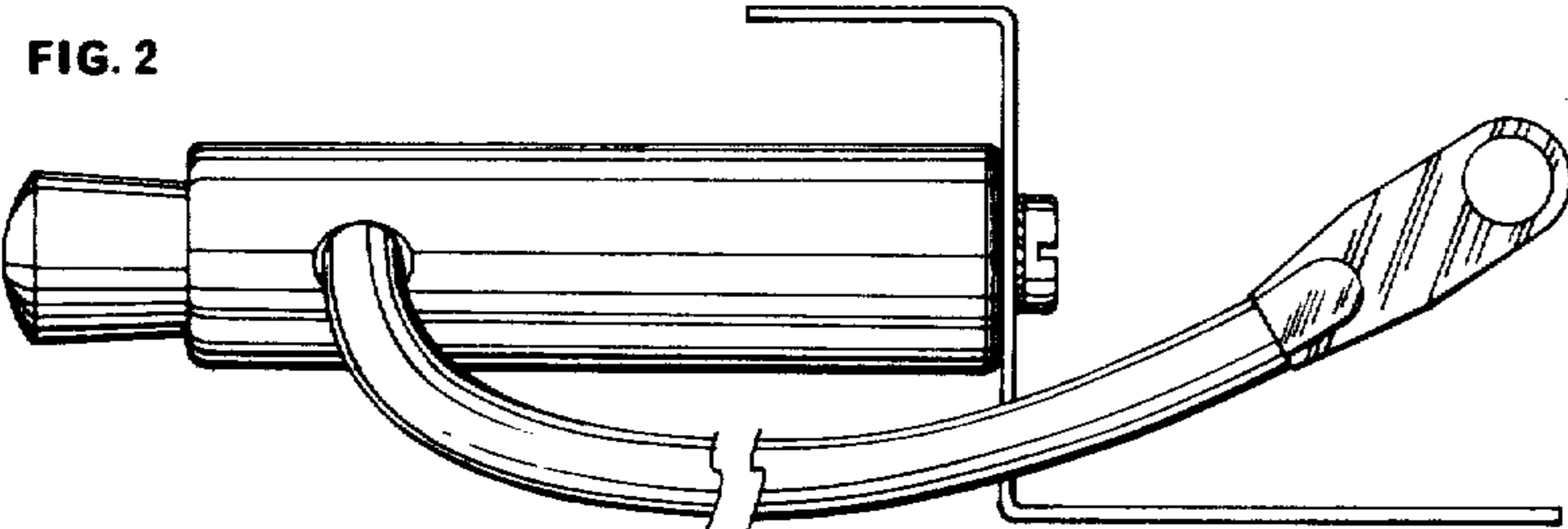


FIG. 3

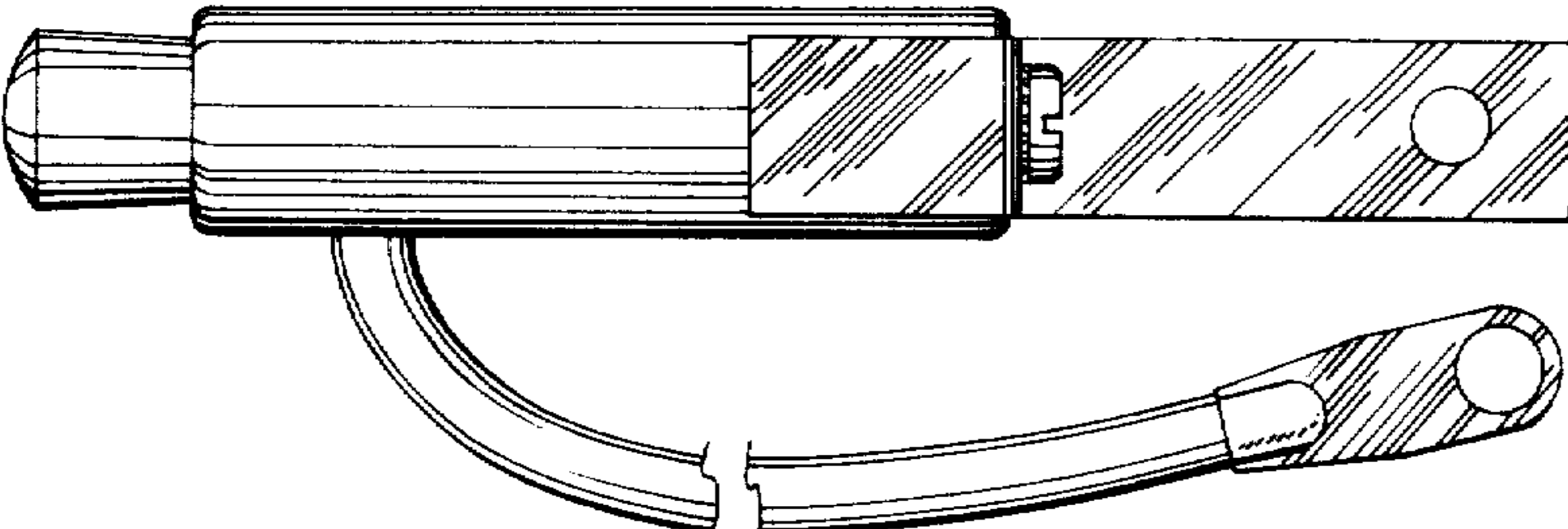


FIG. 4

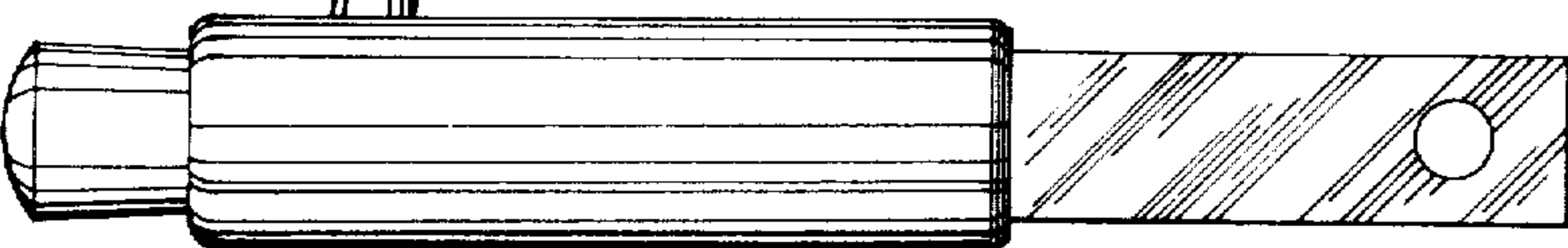


FIG. 5

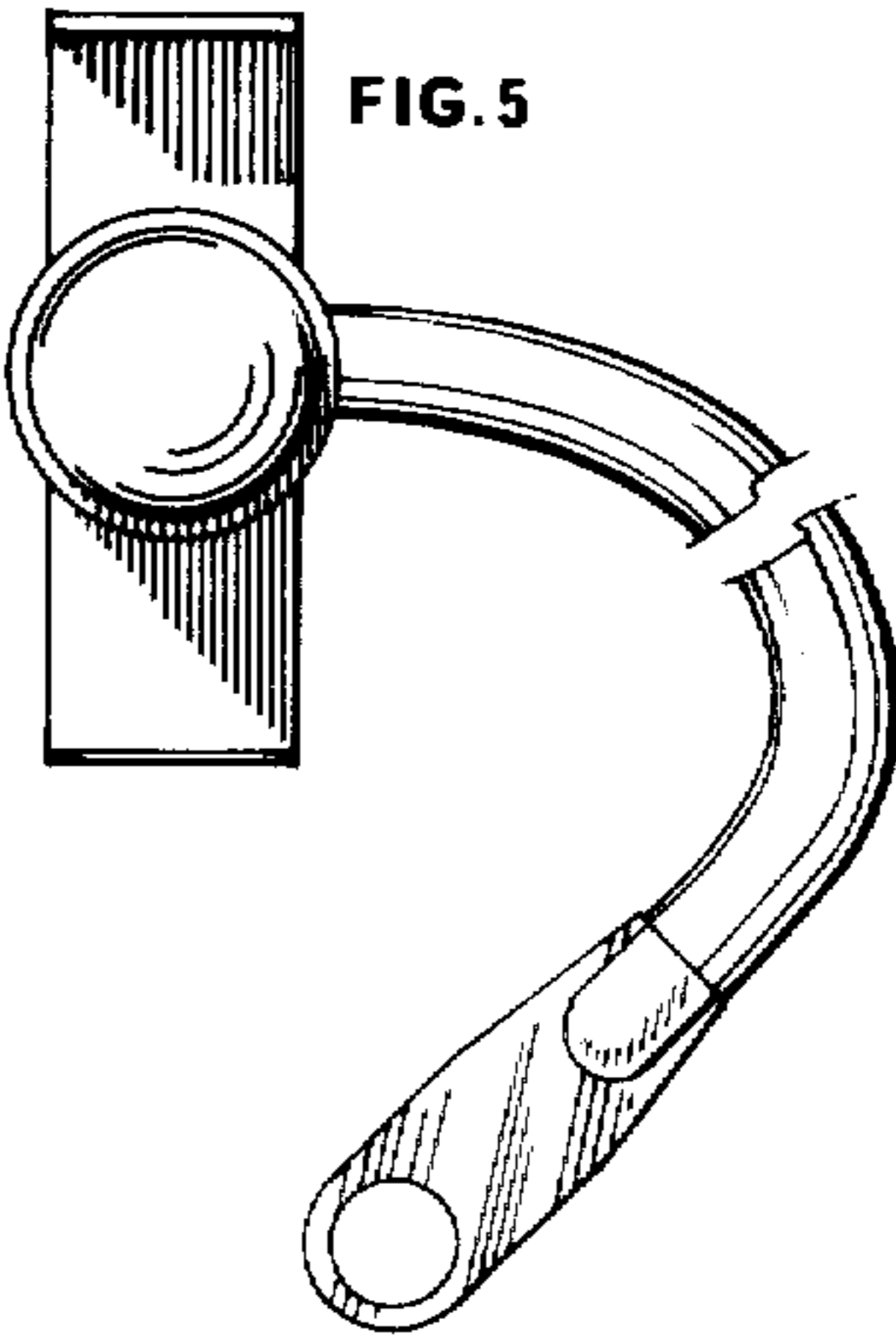


FIG. 6

