

[54] **AUTOMOTIVE VEHICLE RUNNING BOARD**

[75] Inventor: **Louis L. Borick**, Encino, Calif.
[73] Assignee: **Superior Industries International, Inc.**, Van Nuys, Calif.
[**] Term: **14 Years**
[21] Appl. No.: **928,400**
[22] Filed: **Jul. 27, 1978**

[51] Int. Cl. **D12-16**
[52] U.S. Cl. **D12/203**
[58] Field of Search **D12/203; D25/69;**
280/163, 169; 296/1 F; 52/177, 179, 181;
182/228

[56] **References Cited**

U.S. PATENT DOCUMENTS
1,928,682 10/1933 Bronson 280/163

OTHER PUBLICATIONS

J. C. Whitney Catalog No. 365D, p. 34, Running Board, top of page.

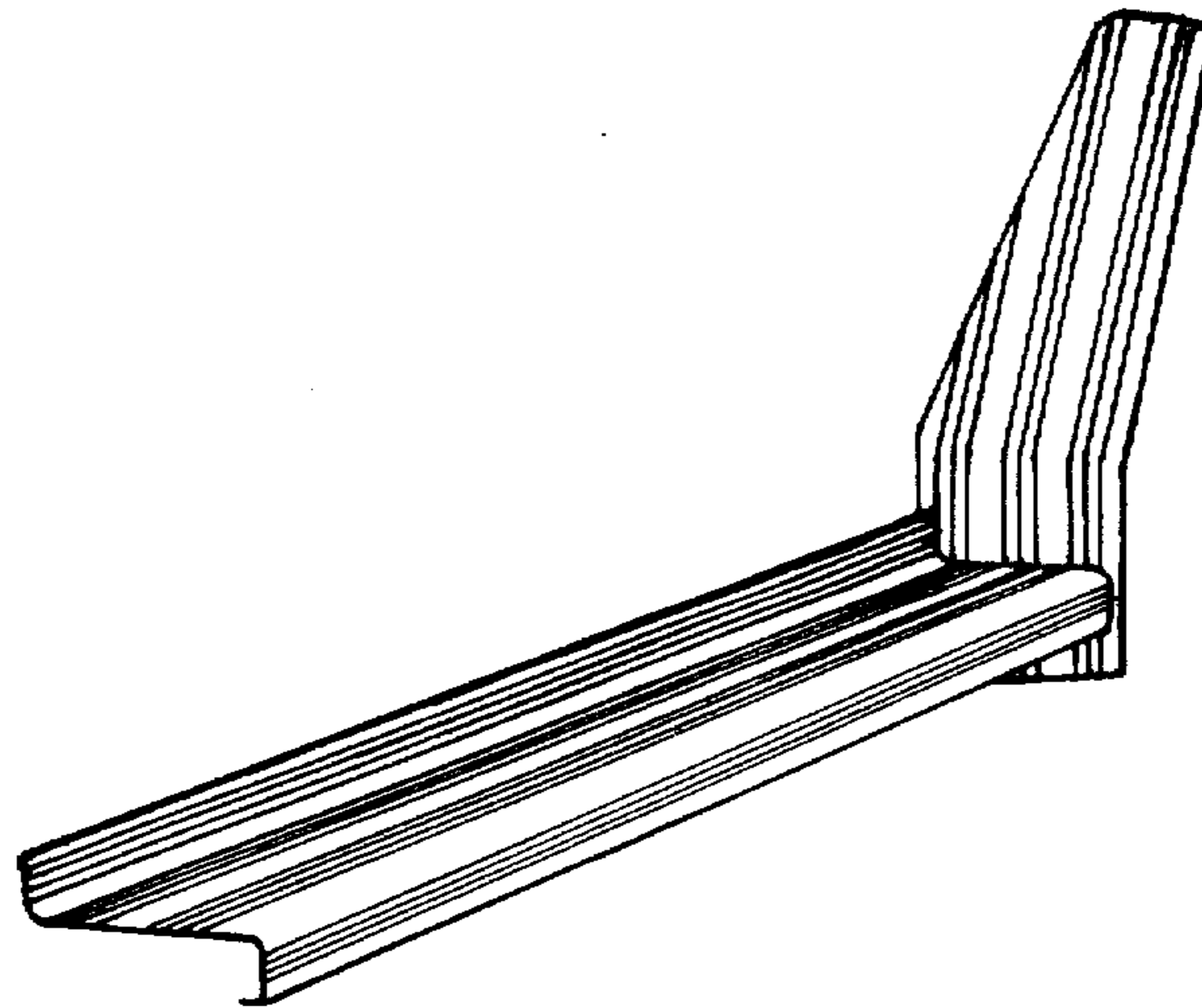
Primary Examiner—James M. Gandy
Attorney, Agent, or Firm—Fulwider, Patton, Rieber, Lee & Utecht

[57] **CLAIM**

The ornamental design for an automotive vehicle running board, substantially as shown and described.

DESCRIPTION

FIG. 1 is a perspective view of an automotive vehicle running board as viewed from the rear and one side showing my new design, it being understood that the broken lines are for illustrative purposes only; FIG. 2 is an enlarged front elevation view thereof; FIG. 3 is a greatly enlarged fragmentary rear perspective view thereof; and FIG. 4 is a greatly enlarged rear elevational view thereof, it being understood that the vertically extending front wall has been omitted for convenience of illustration.



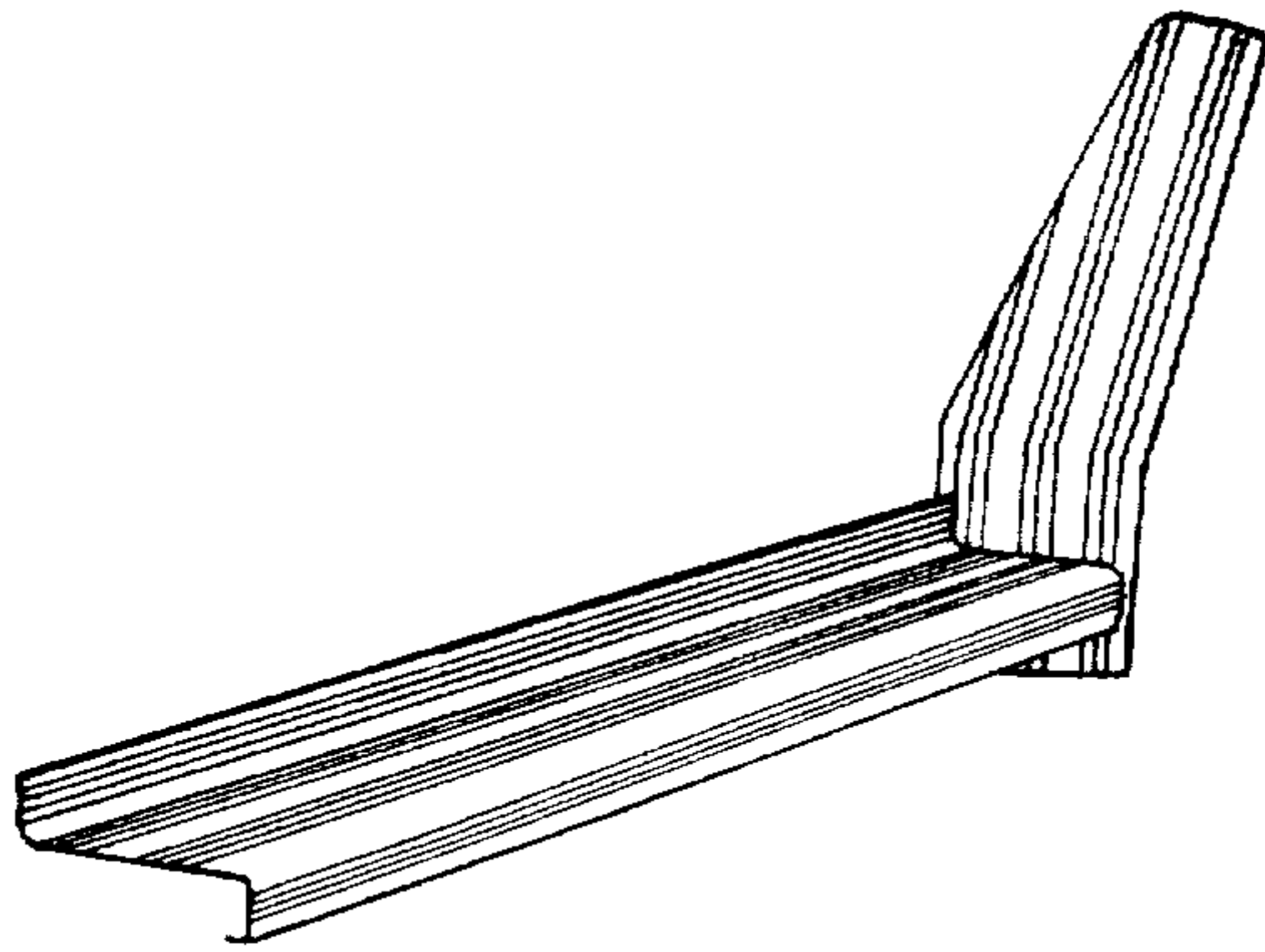


FIG. 1

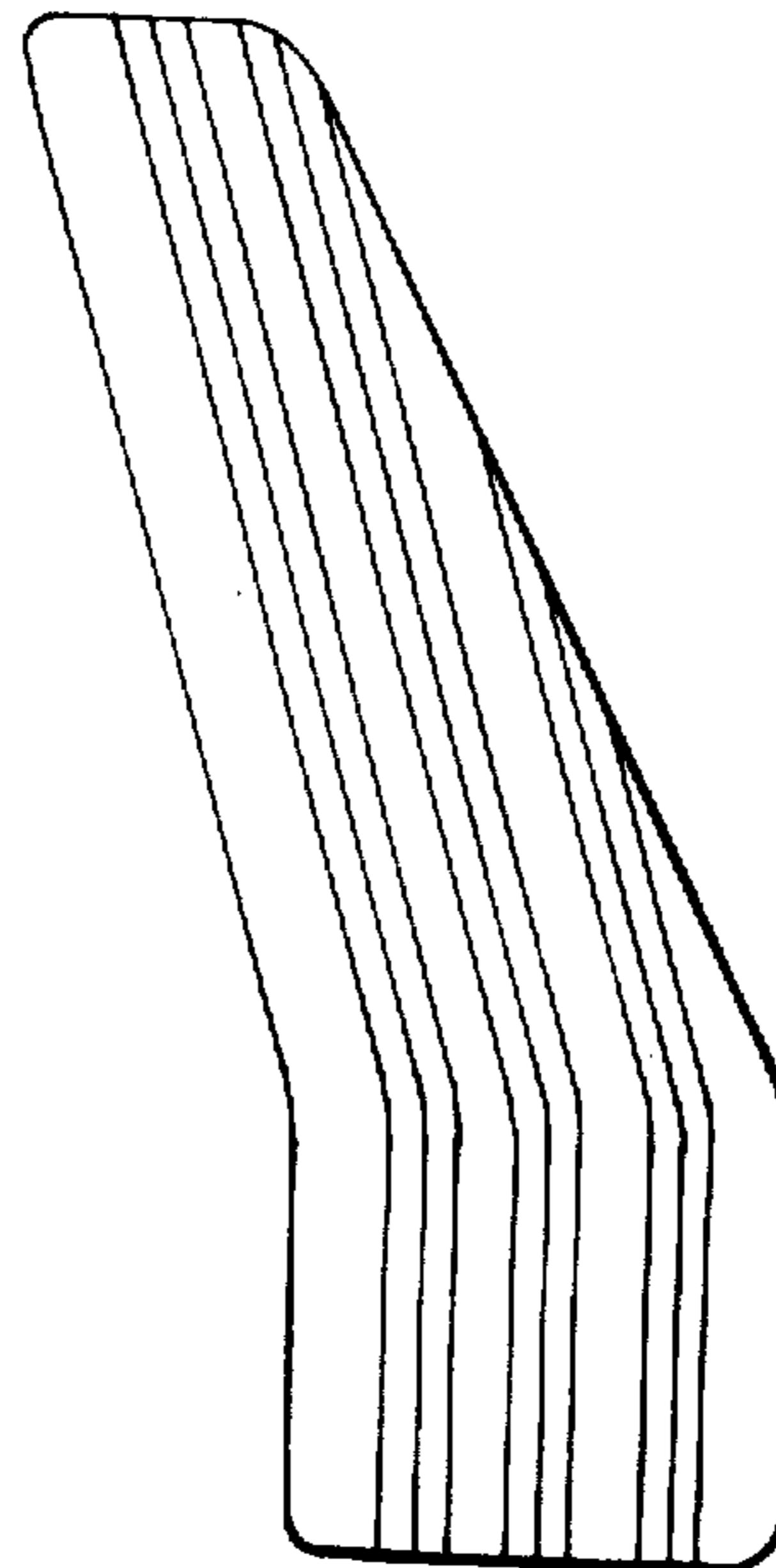


FIG. 2

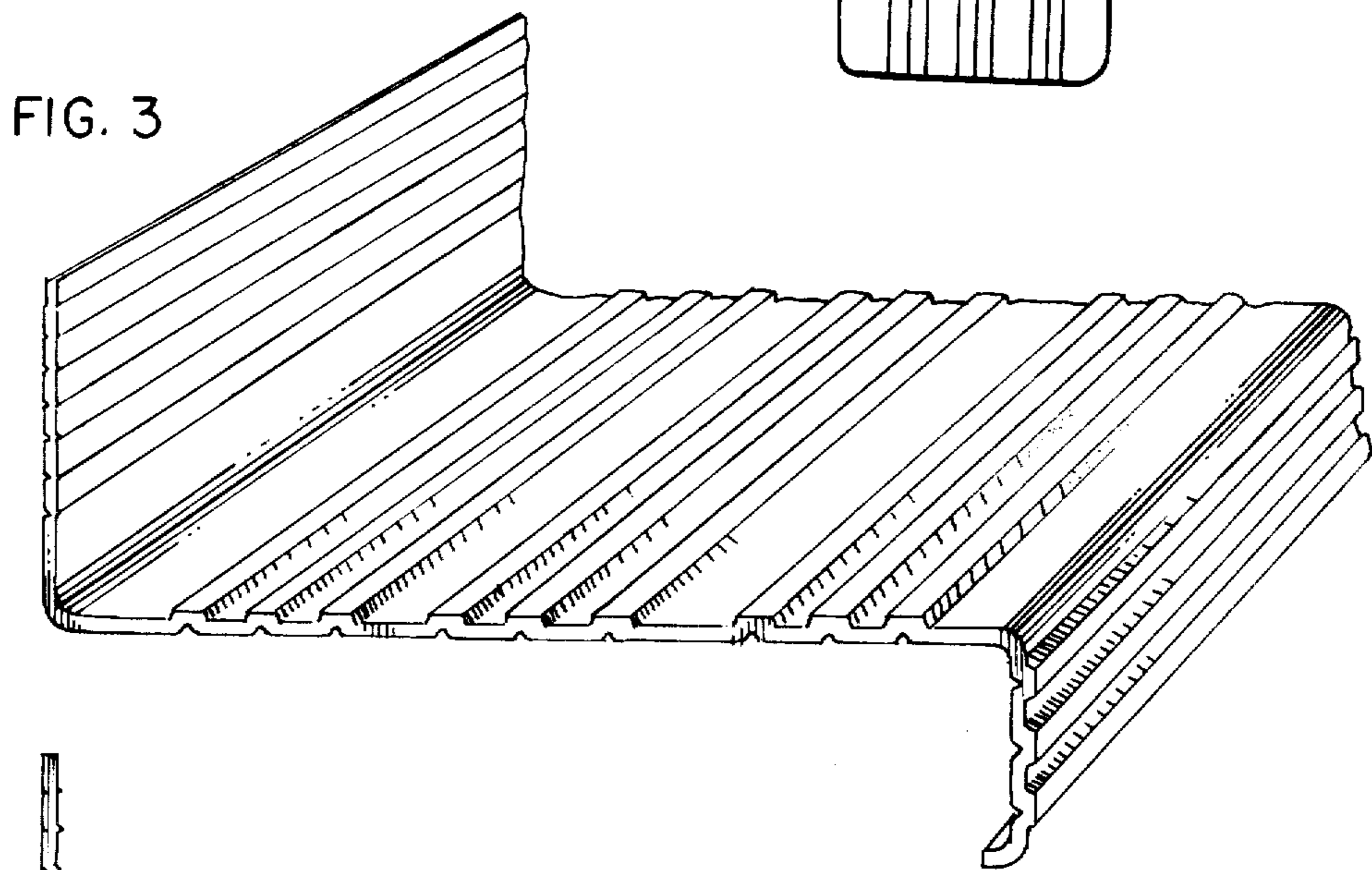


FIG. 3

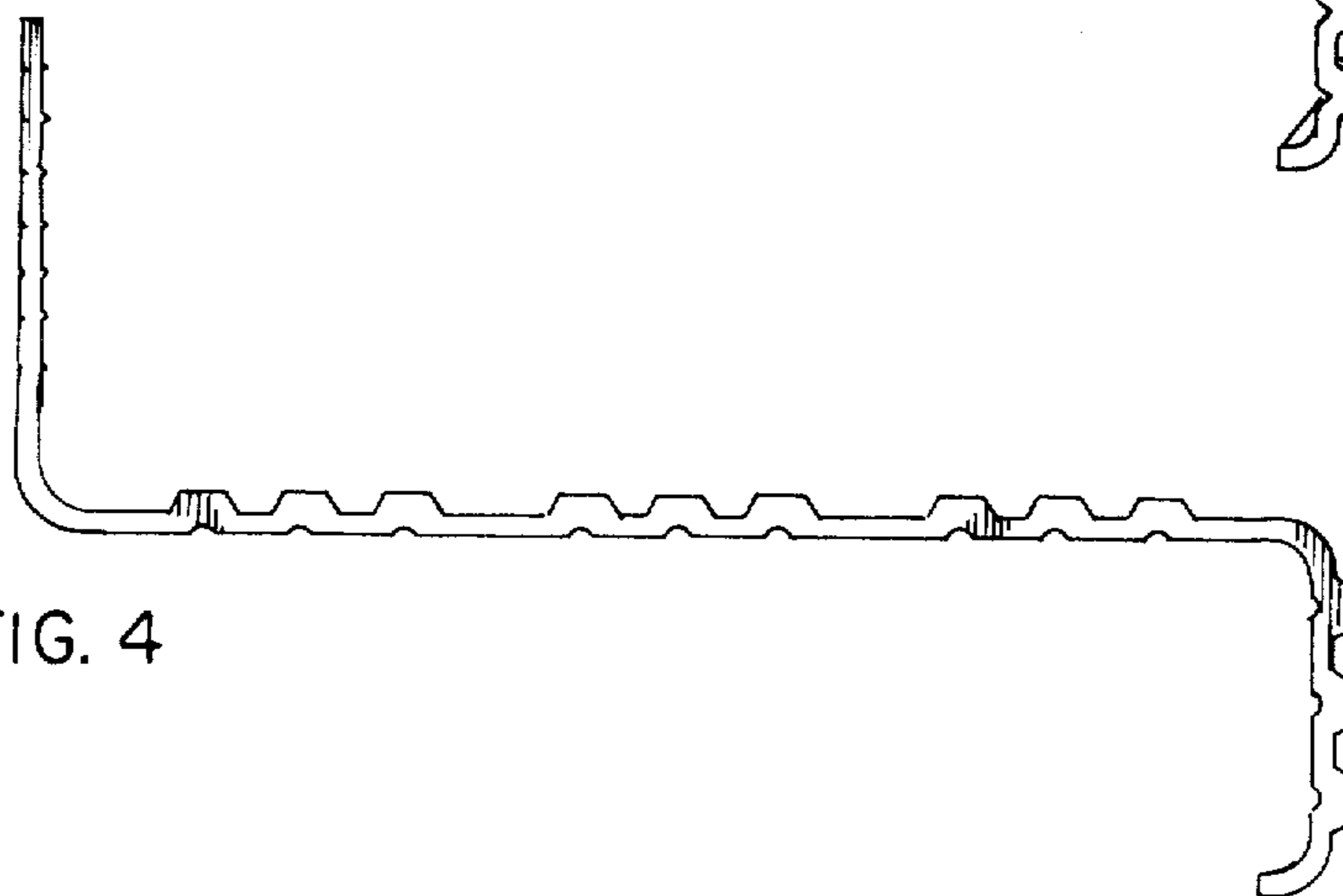


FIG. 4