

[54] TIRE

[75] Inventor: Jean-Claude Peron, Greenville, S.C.

[73] Assignee: Compagnie Generale des Etablissements Michelin, Clermont-Ferrand, France

[**] Term: 14 Years

[21] Appl. No.: 111,009

[22] Filed: Jan. 10, 1980

[51] Int. Cl. D12-15

[52] U.S. Cl. D12/147

[58] Field of Search D12/134, 141-143, D12/145-151; 152/209 R, 209 NT, 209 WT, 209 D

[56]

References Cited

U.S. PATENT DOCUMENTS

- D. 236,970 9/1975 Bierbusse et al. D12/151
- D. 253,645 12/1979 Peron D12/147
- D. 254,246 2/1980 Peron D12/148
- D. 256,907 9/1980 Baus et al. D12/147

Primary Examiner—James M. Gandy
Attorney, Agent, or Firm—Brumbaugh, Graves, Donohue & Raymond

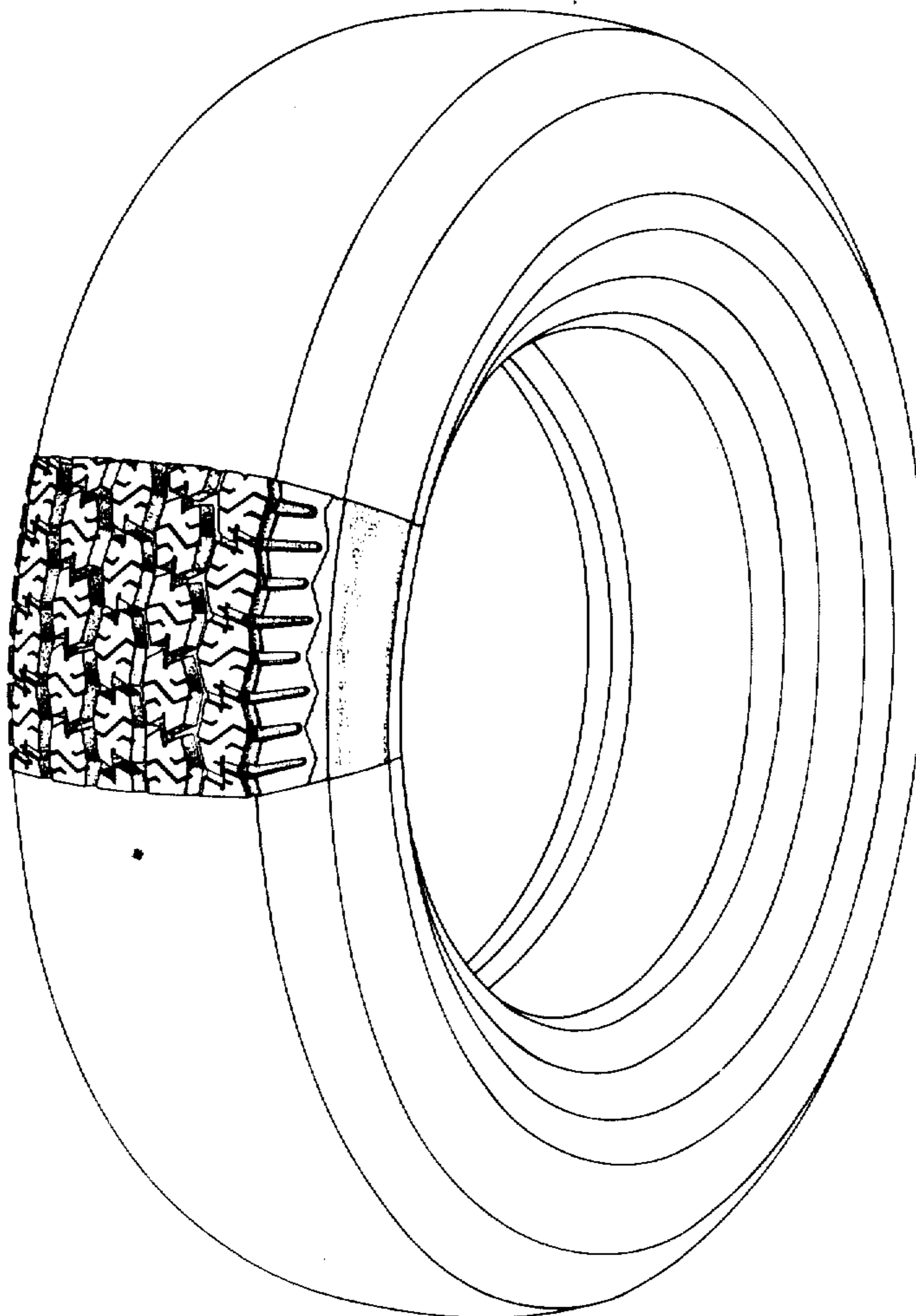
[57]

CLAIM

The ornamental design for a tire, substantially as shown and described.

DESCRIPTION

The FIGURE is a perspective view of a tire showing my new design, it being understood that the tread pattern is repeated throughout the circumference of the tire, as shown schematically by solid lines, the opposite side being substantially the same as that shown.



U.S. Patent

Dec. 15, 1981

Des. 262,282

