

- [54] **MOBILE SELF-POWERED HYDRAULIC LIFT**
- [75] Inventors: **Rallie P. Rallis; Richard E. Cullity,**
both of Los Angeles County; **Lyle R. Tamplin,**
Orange Coutny, all of Calif.
- [73] Assignee: **Mark Industries,** Carson, Calif.
- [**] Term: **14 Years**
- [21] Appl. No.: **117,256**
- [22] Filed: **Jan. 31, 1980**

Related U.S. Application Data

- [63] Continuation of Ser. No. 880,322, Feb. 22, 1978, abandoned.
- [51] Int. Cl. **D12-05**
- [52] U.S. Cl. **D34/34**
- [58] Field of Search **D12/57, 56; 182/2;**
187/8.41, 9 E, 10

- [56] **References Cited**
- U.S. PATENT DOCUMENTS**
- 3,776,367 12/1973 Grove 182/2
- 3,861,498 1/1975 Grove 182/2
- 4,039,094 8/1977 Grove 182/2

Primary Examiner—James M. Gandy
Attorney, Agent, or Firm—Robert R. Thornton

[57] **CLAIM**

The ornamental design for a mobile self-powered hydraulic lift, as shown and described.

DESCRIPTION

FIG. 1 is a right side elevational view of a mobile self-powered hydraulic lift showing our new design; FIG. 2 is a greatly enlarged right-side elevational view thereof with the boom in an alternate position; FIG. 3 is a left side elevational view of FIG. 2; FIG. 4 is a top plan view of FIG. 2; FIG. 5 is a front elevational view of FIG. 2; and FIG. 6 is a rear elevational view of FIG. 2.

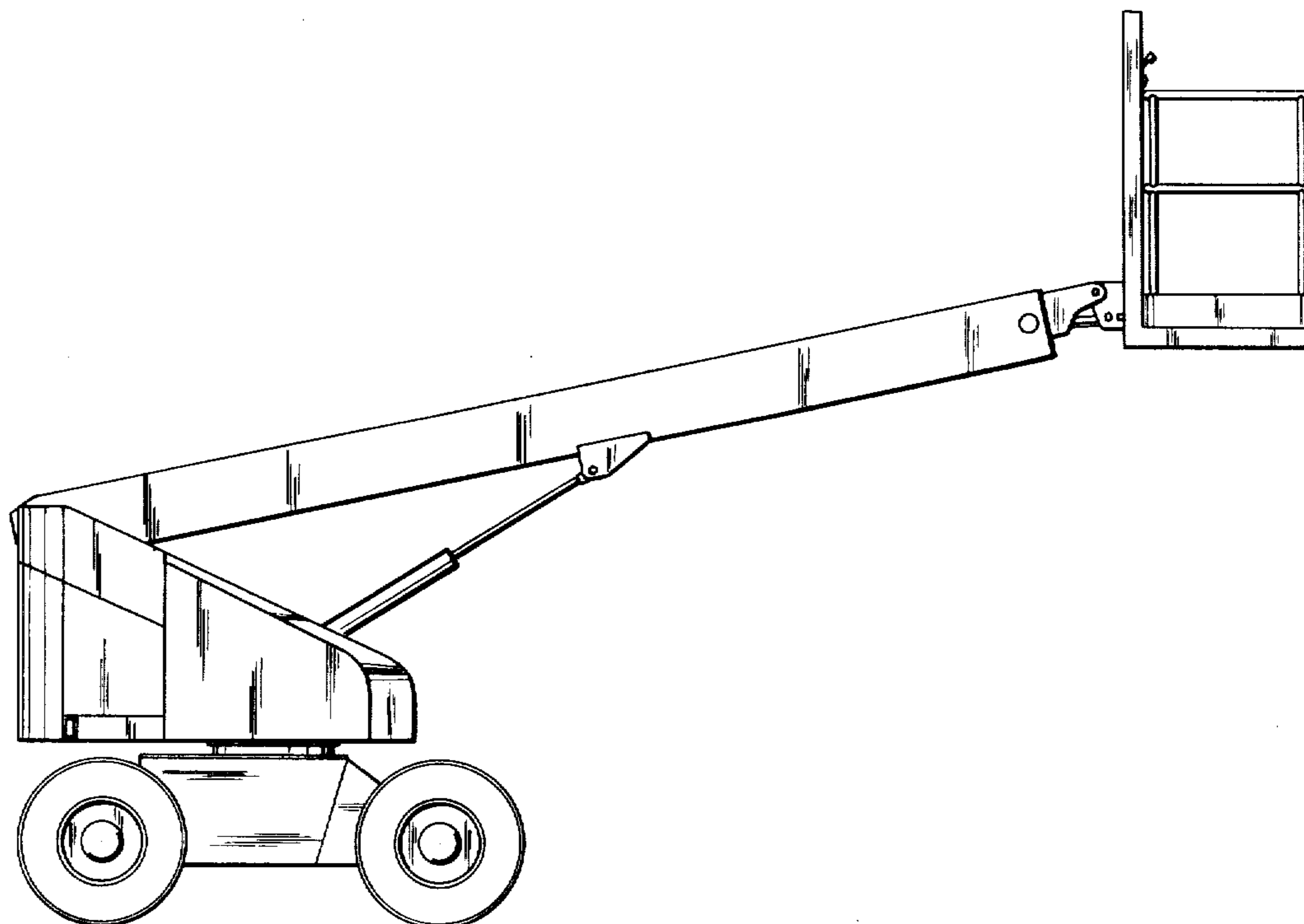


Fig. 1

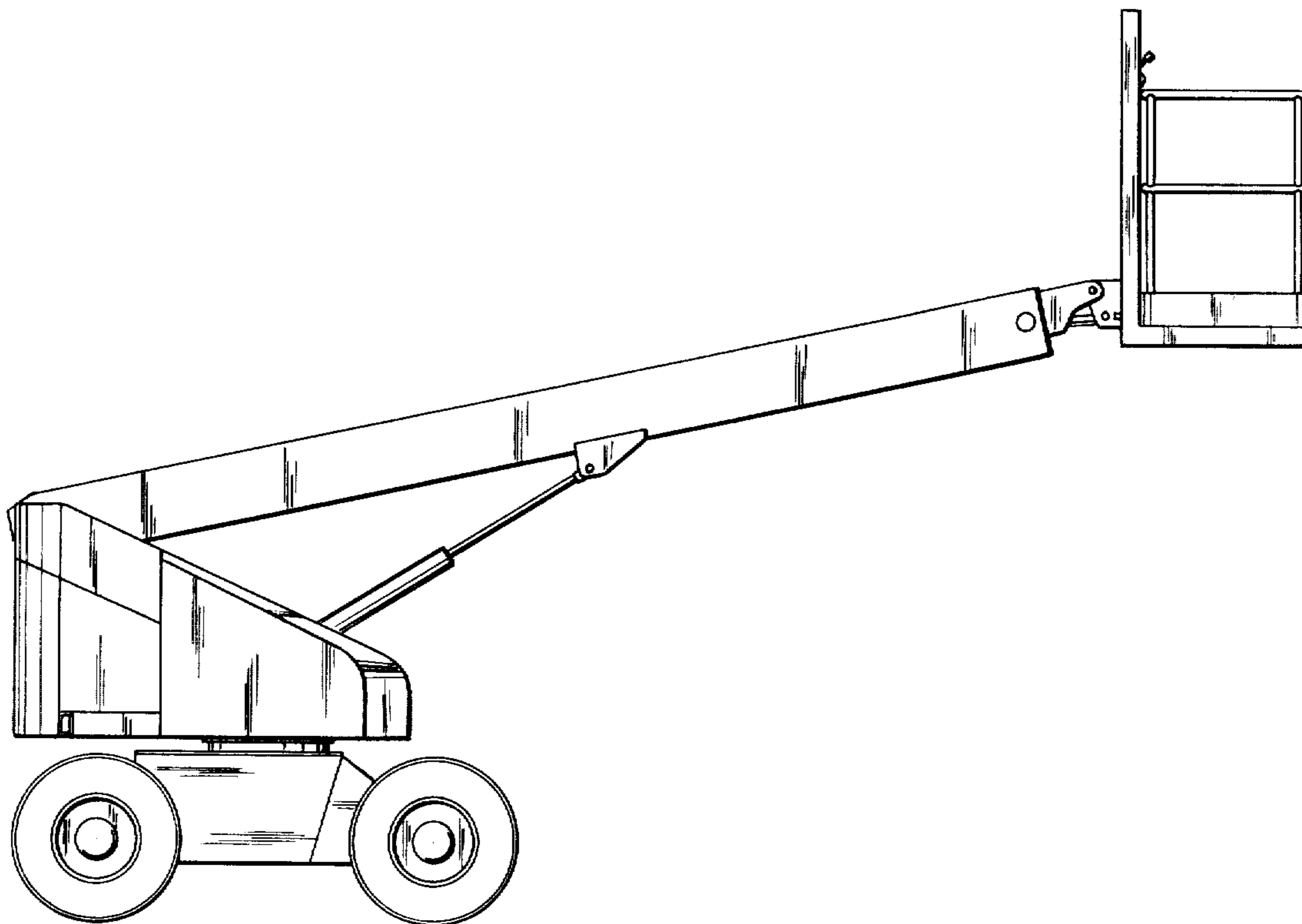
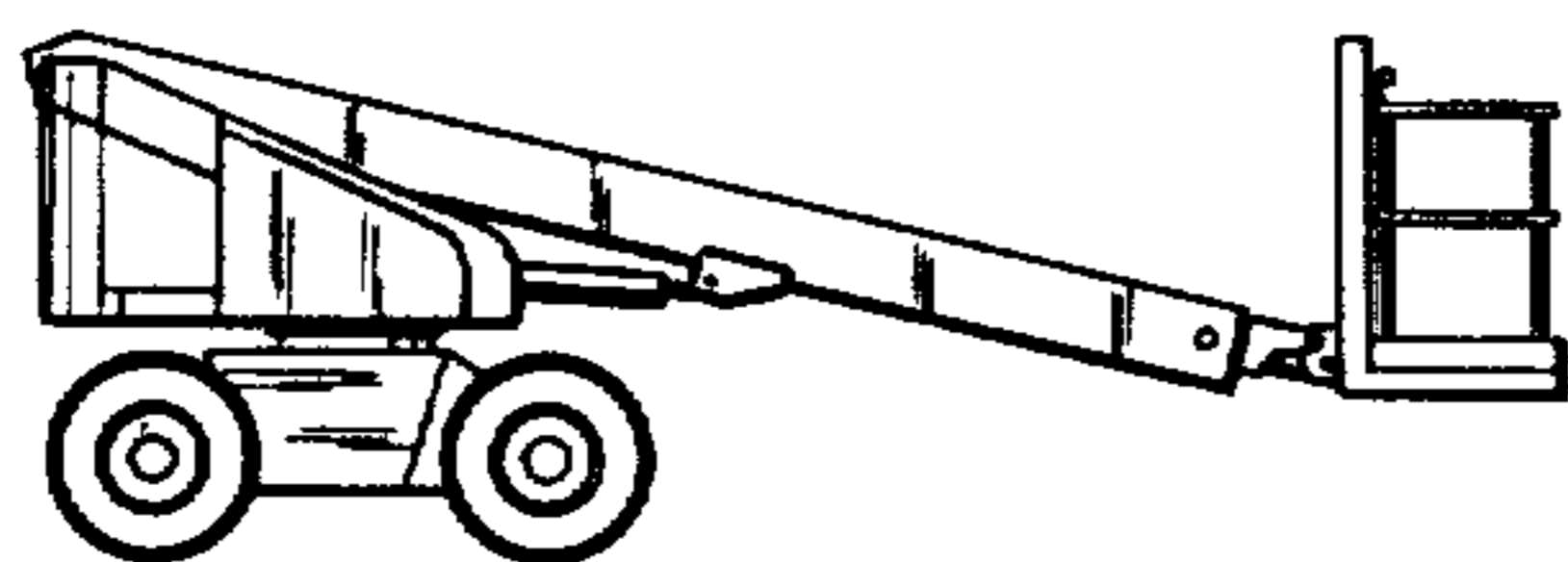


Fig. 2

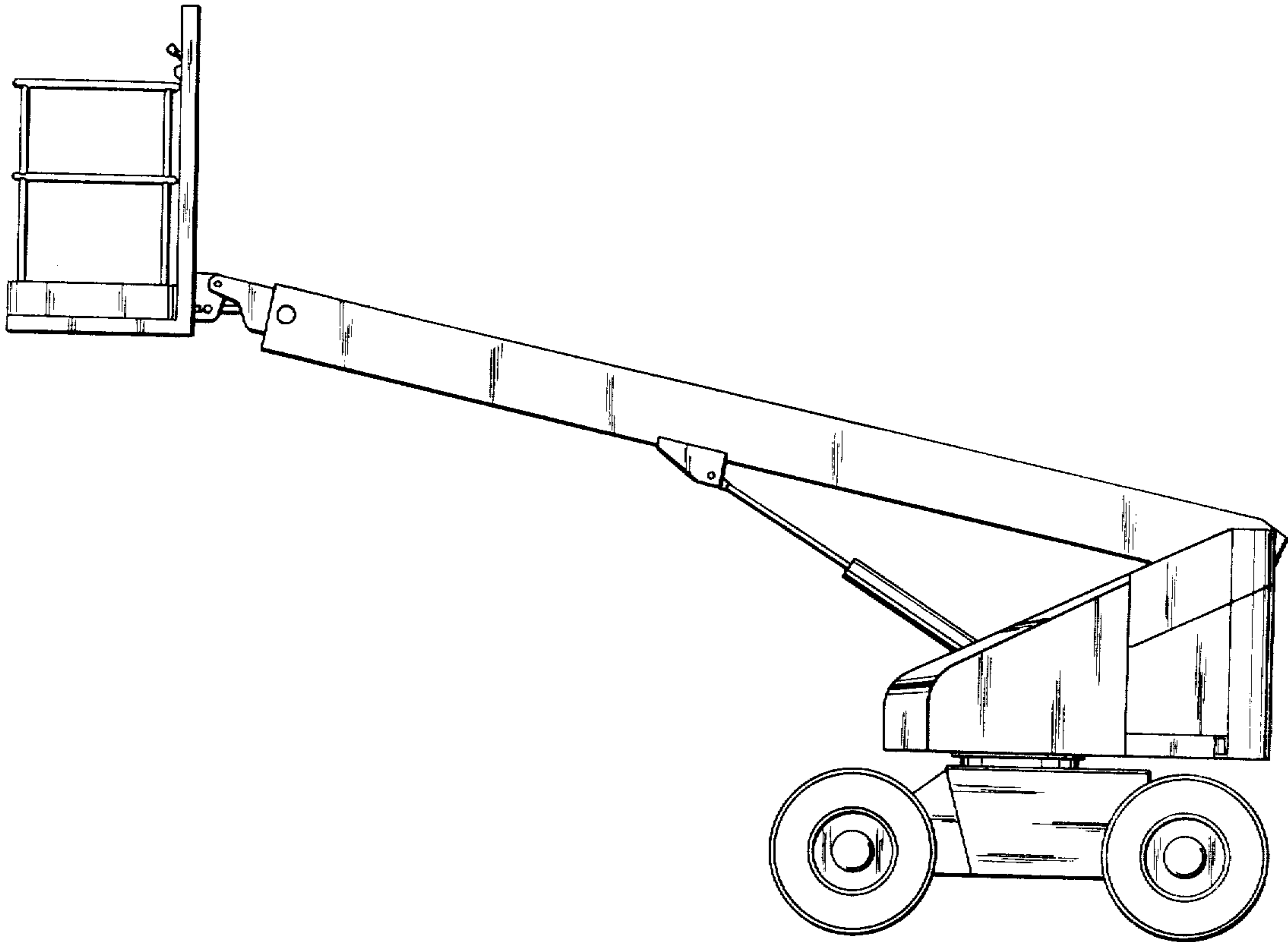


Fig. 3

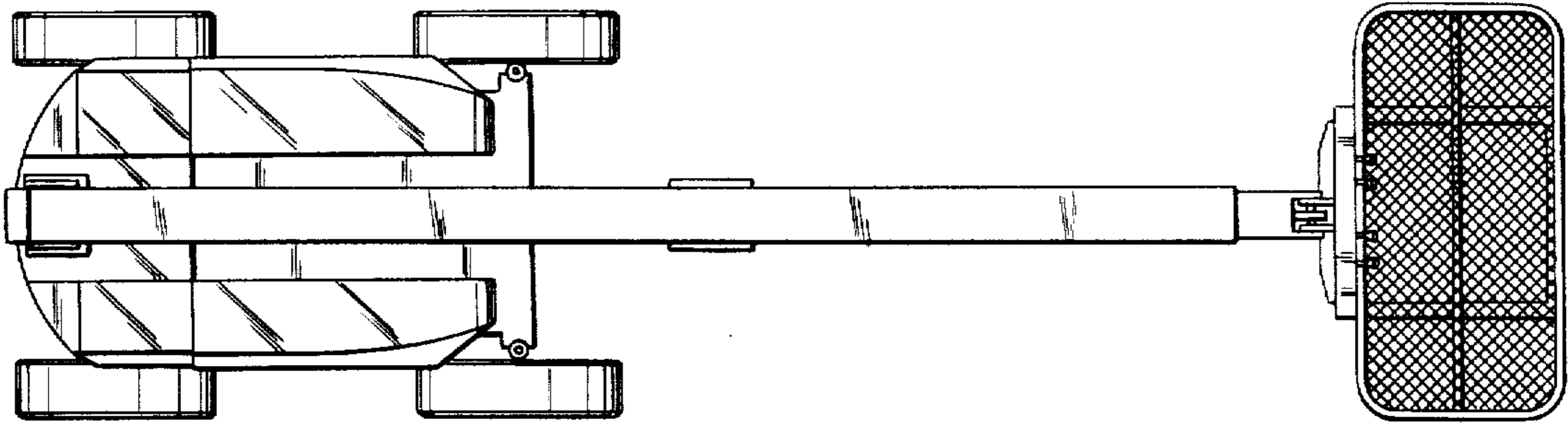


Fig. 4

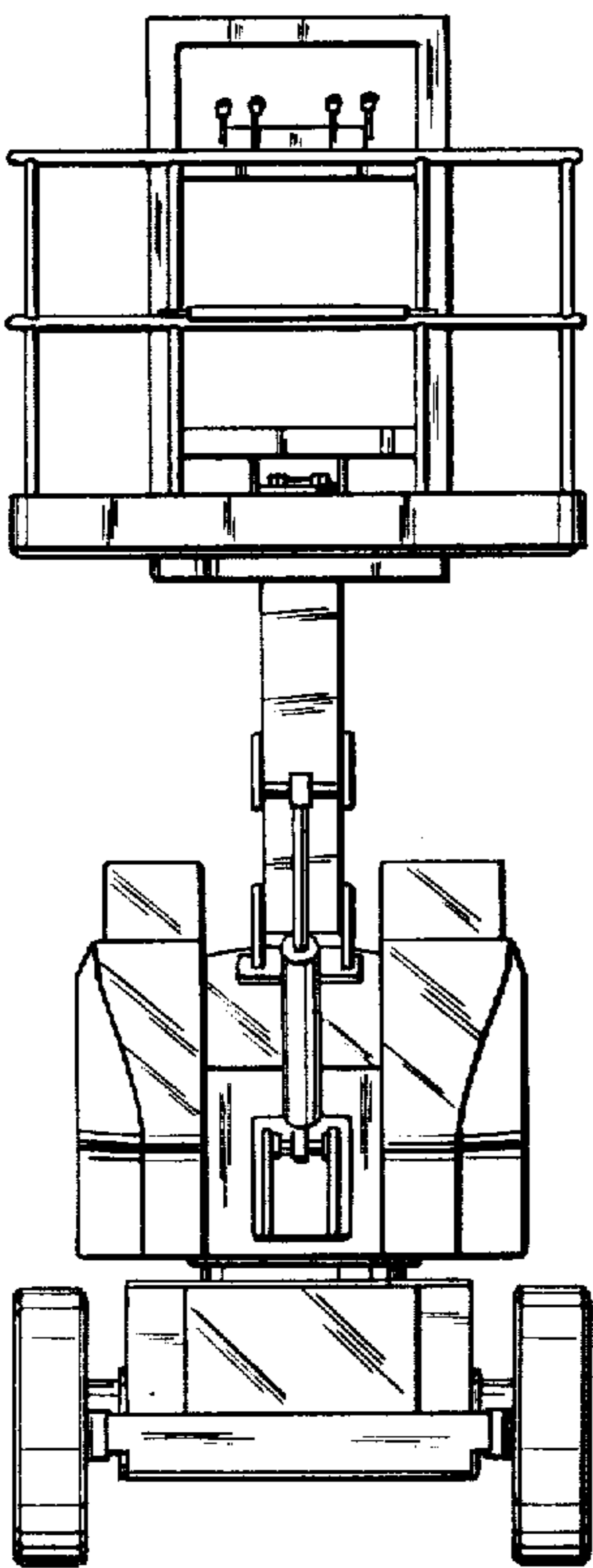


Fig. 5

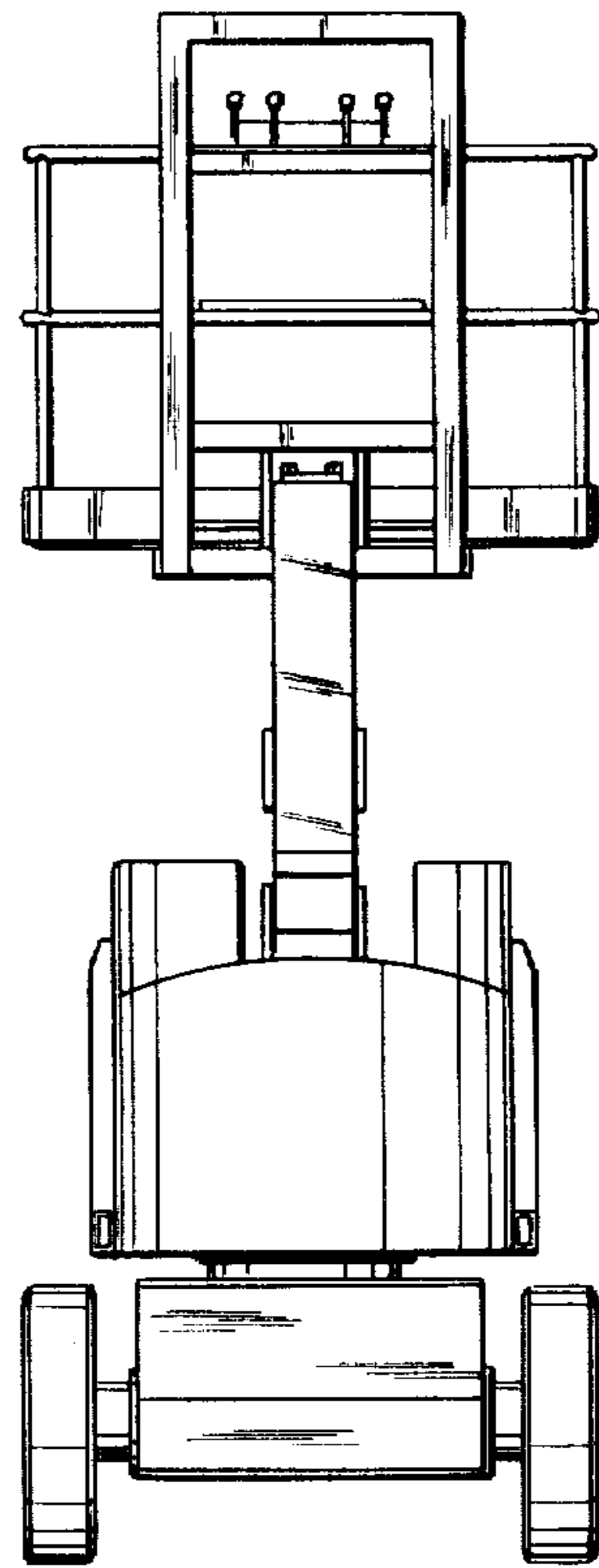


Fig. 6

Disclaimer

Des. No. 262,279.—*Rallie P. Rallis*, and *Richard A. Cullity*, Los Angeles City, and *Lyle R. Tamplin*, Orange County, Calif. MOBILE SELF-POWERED HYDRAULIC LIFT. Patent dated Dec. 15, 1981. Disclaimer filed June 1, 1982, by the assignee, *Mark Industries*.

The term of this patent subsequent to Oct. 6, 1995, has been disclaimed.
[*Official Gazette August 10, 1982.*]