

[54] **EARRING**
[75] Inventor: **Alvin Block**, Bedford, N.Y.
[73] Assignee: **Intimate Jewels, Inc.**, Katonah, N.Y.
[**] Term: **14 Years**
[21] Appl. No.: **73,489**
[22] Filed: **Sep. 7, 1979**
[51] Int. Cl. **D11-01**
[52] U.S. Cl. **D11/75**
[58] Field of Search **D11/1, 40, 75, 43, 76,**
D11/79, 88, 93; 63/1 R, 12-14 R, 18-21, 23

733,263 7/1903 Nordt 63/12 X
2,373,002 4/1945 Armstrong 63/12 X

FOREIGN PATENT DOCUMENTS

295468 12/1953 Switzerland 63/12

Primary Examiner—Louis S. Zarfes
Attorney, Agent, or Firm—Kirschstein, Kirschstein,
Ottinger & Cobrin

[57] **CLAIM**

The ornamental design for an earring, substantially as shown.

DESCRIPTION

FIG. 1 is a perspective view of an earring showing my new design.
FIG. 2 is a rear elevational view of the earring.
FIG. 3 is a front elevational view of the earring.
FIG. 4 is a side elevational of the earring.

[56] **References Cited**
U.S. PATENT DOCUMENTS

D. 32,145 1/1900 Zell D11/43
439,547 10/1890 Whittemore et al. 63/12 X

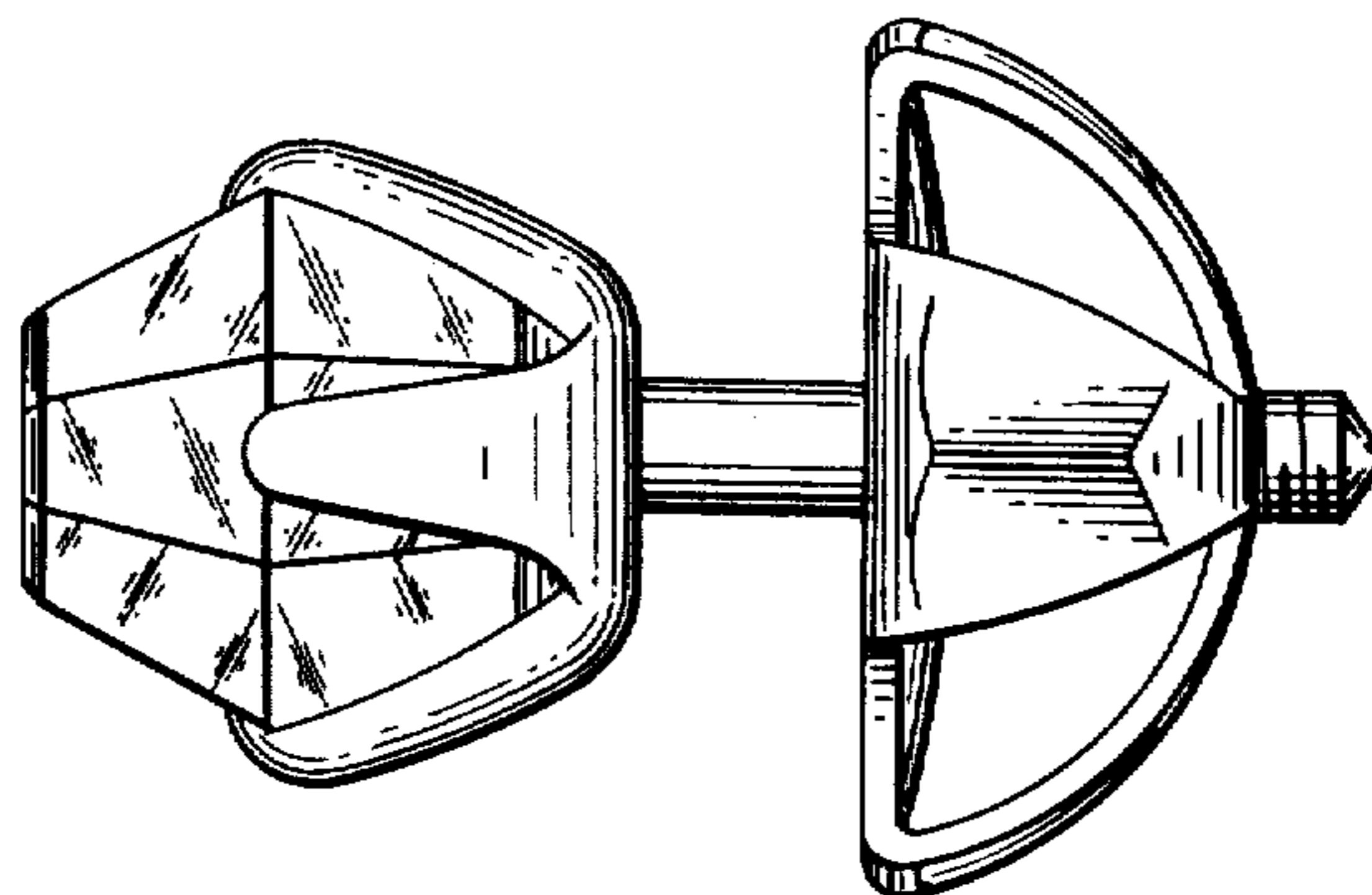
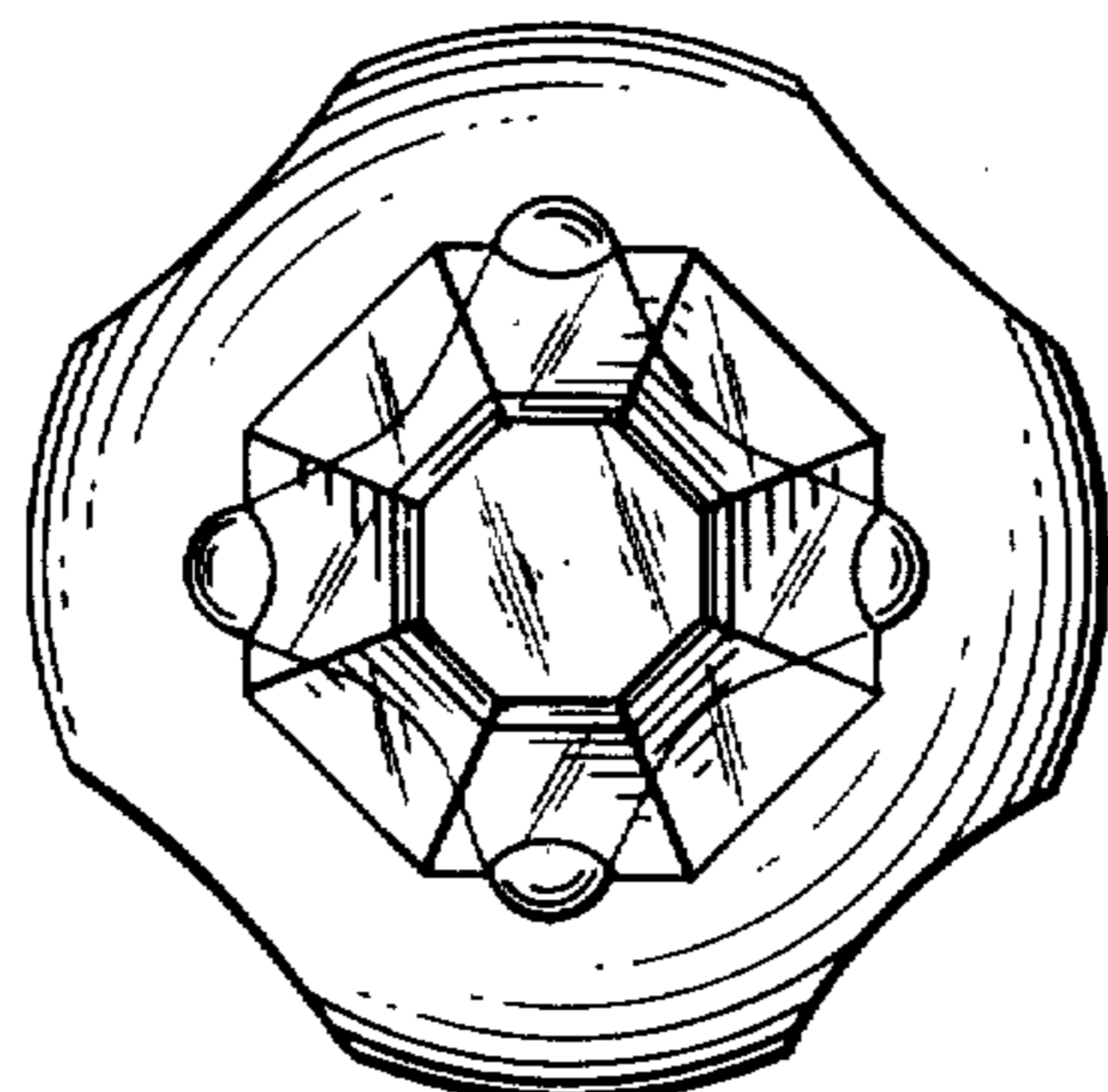


FIG. 1

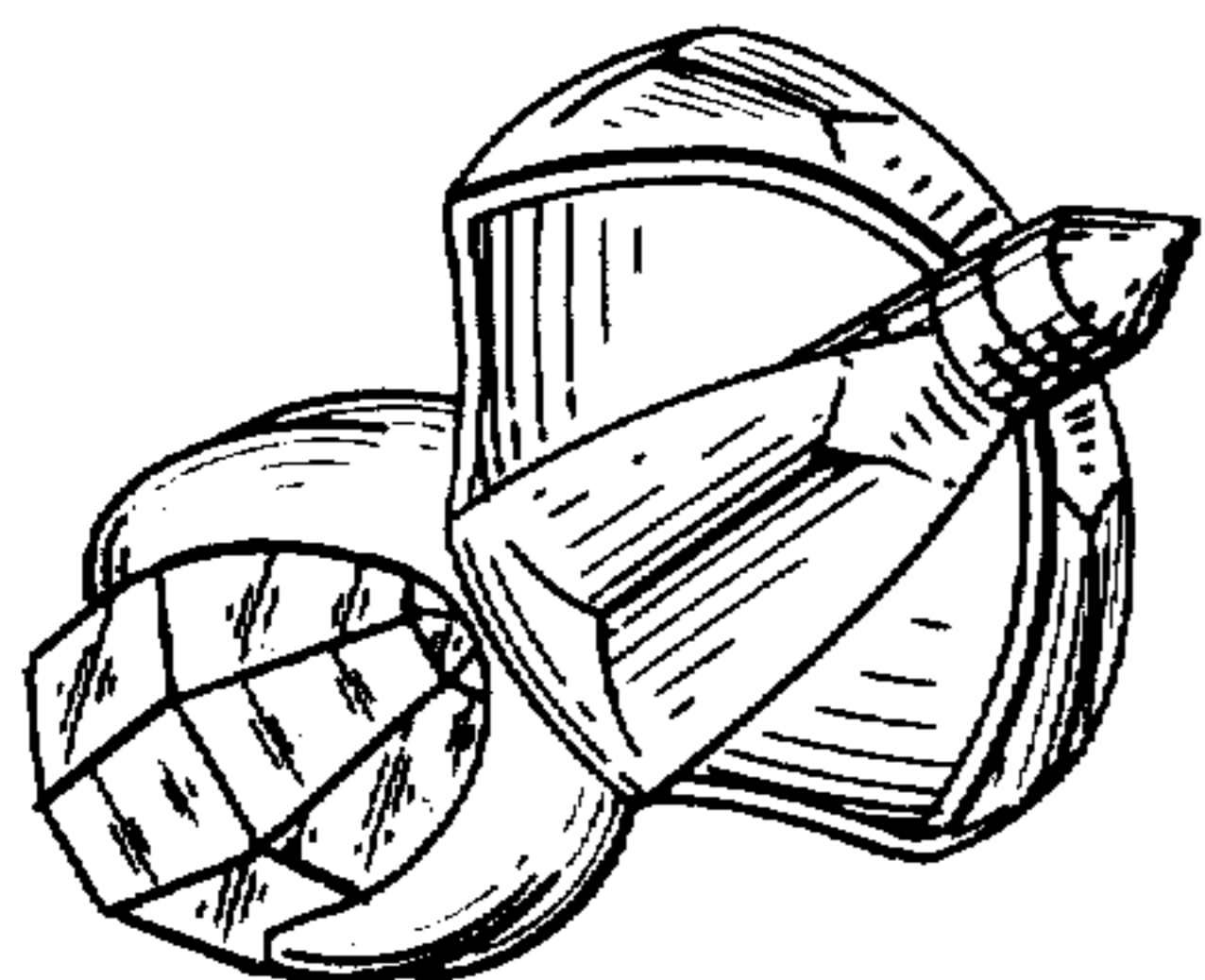


FIG. 2

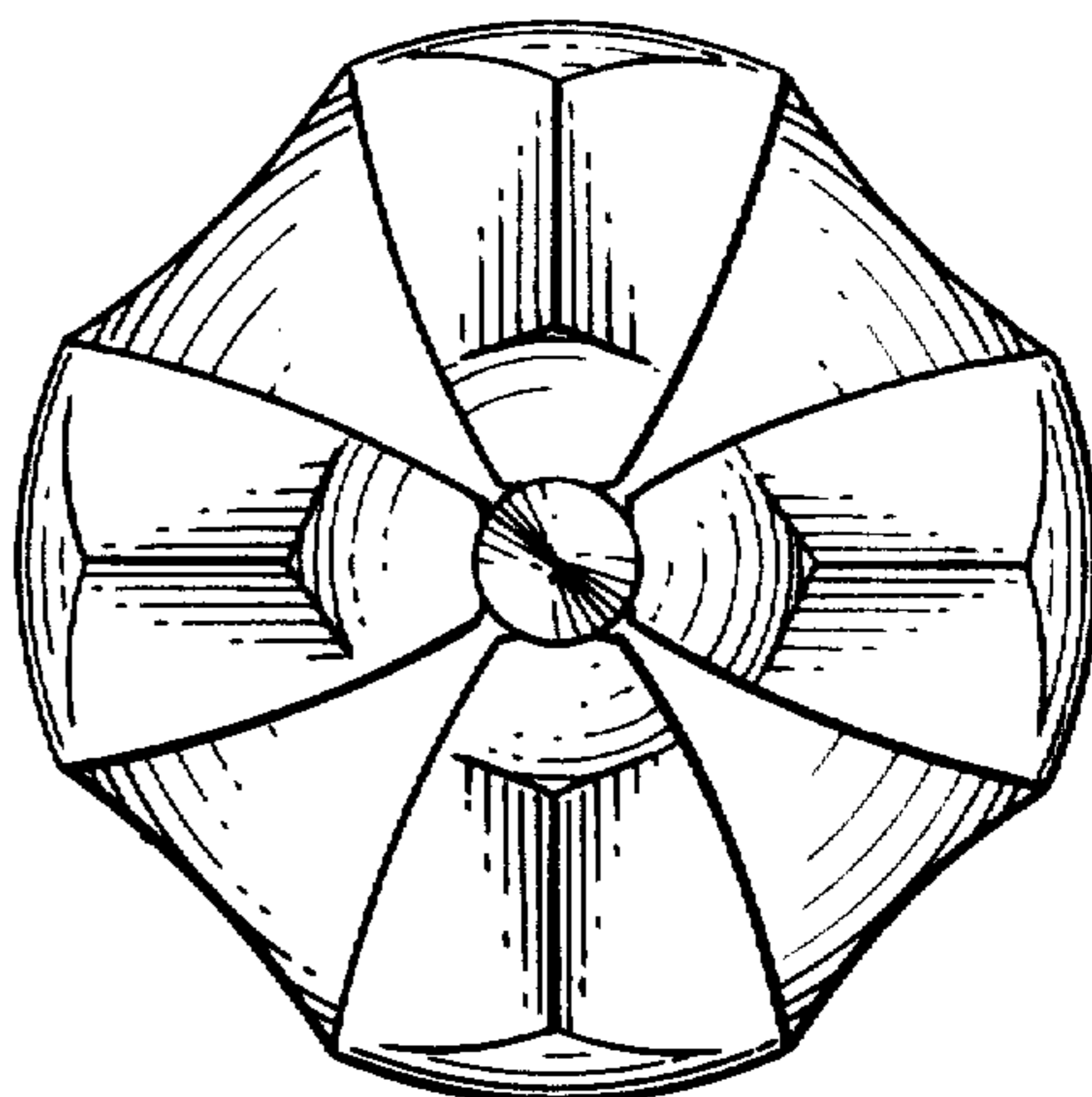


FIG. 3

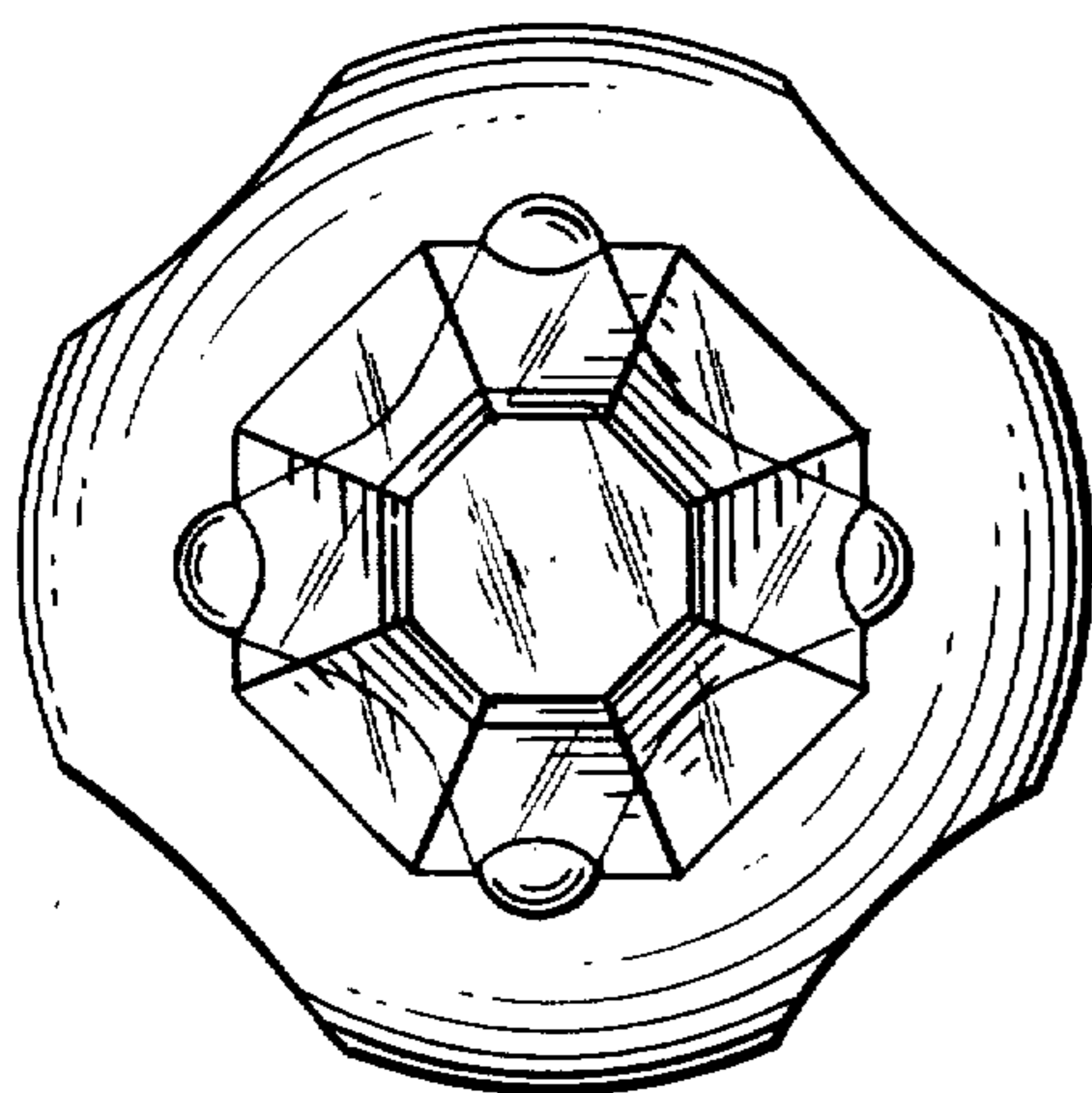


FIG. 4

