

[54] AUTOMOBILE DOOR LOCK OPENER

[76] Inventor: Clement J. Jeanminette, 977 Glide St., Rochester, N.Y. 14606

[\*\*] Term: 3½ Years

[21] Appl. No.: 890,225

[22] Filed: Mar. 24, 1978

[51] Int. Cl. .... D8—05

[52] U.S. Cl. .... D8/88; D8/89

[58] Field of Search ..... D8/88, 89, 14; 81/3 R; 29/227

[56] References Cited

U.S. PATENT DOCUMENTS

- D. 226,161 1/1973 Paulsen ..... D8/88
- 3,764,175 10/1973 Yavitch ..... 81/3 R

- 4,015,871 4/1977 Koerbel et al. .... 81/3 R
- 4,054,983 10/1977 Cowan ..... 29/227

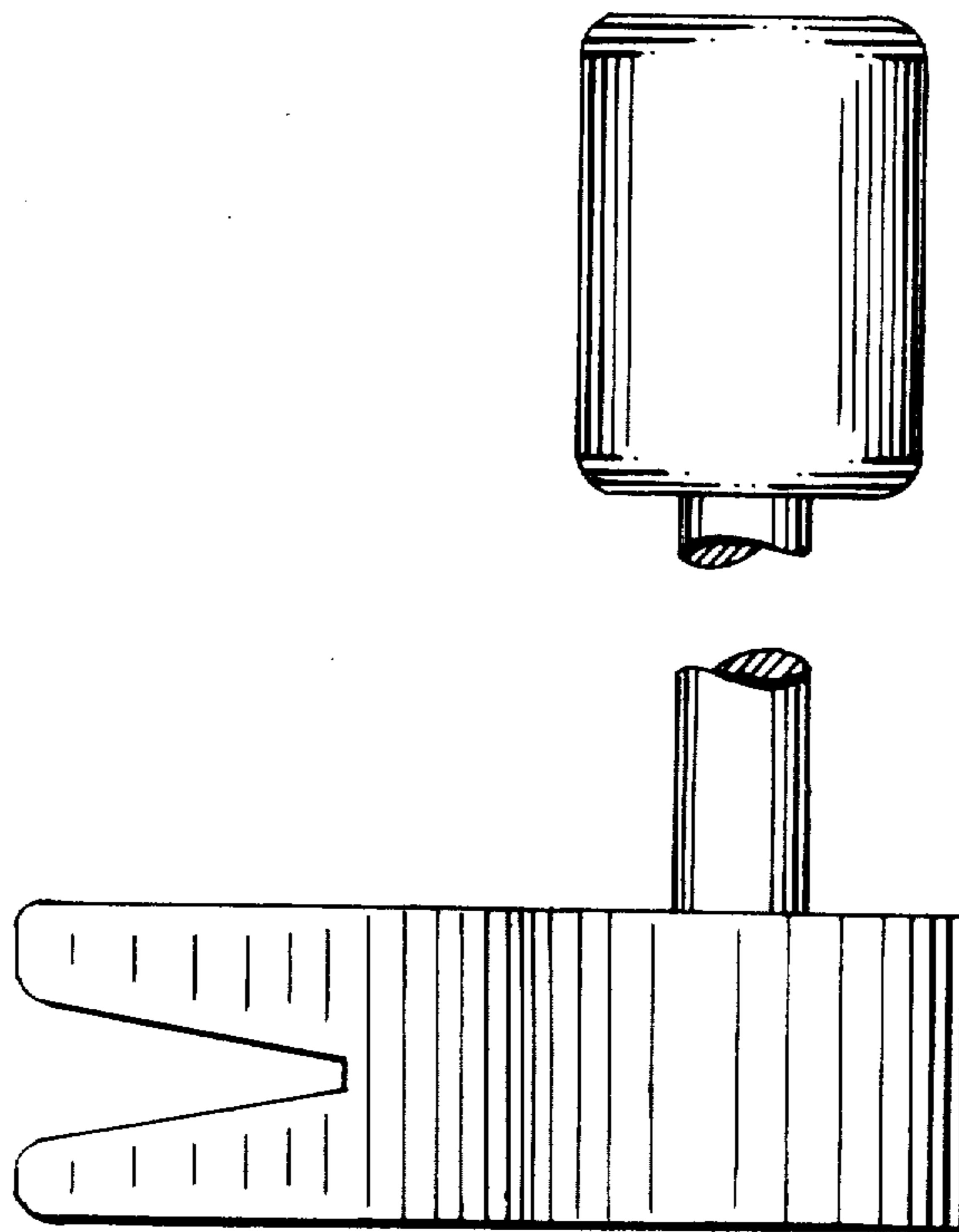
Primary Examiner—W. Stallard  
Attorney, Agent, or Firm—Shlesinger, Fitzsimmons & Shlesinger

[57] CLAIM

The ornamental design for an automobile door lock opener, substantially as shown.

DESCRIPTION

FIG. 1 is a fragmentary top plan view of another embodiment of an automobile door lock opener; FIG. 2 is a fragmentary right side elevational view of this other embodiment; FIG. 3 is a front elevational view of this other embodiment; and FIG. 4 is a fragmentary left side elevational view of this other embodiment.



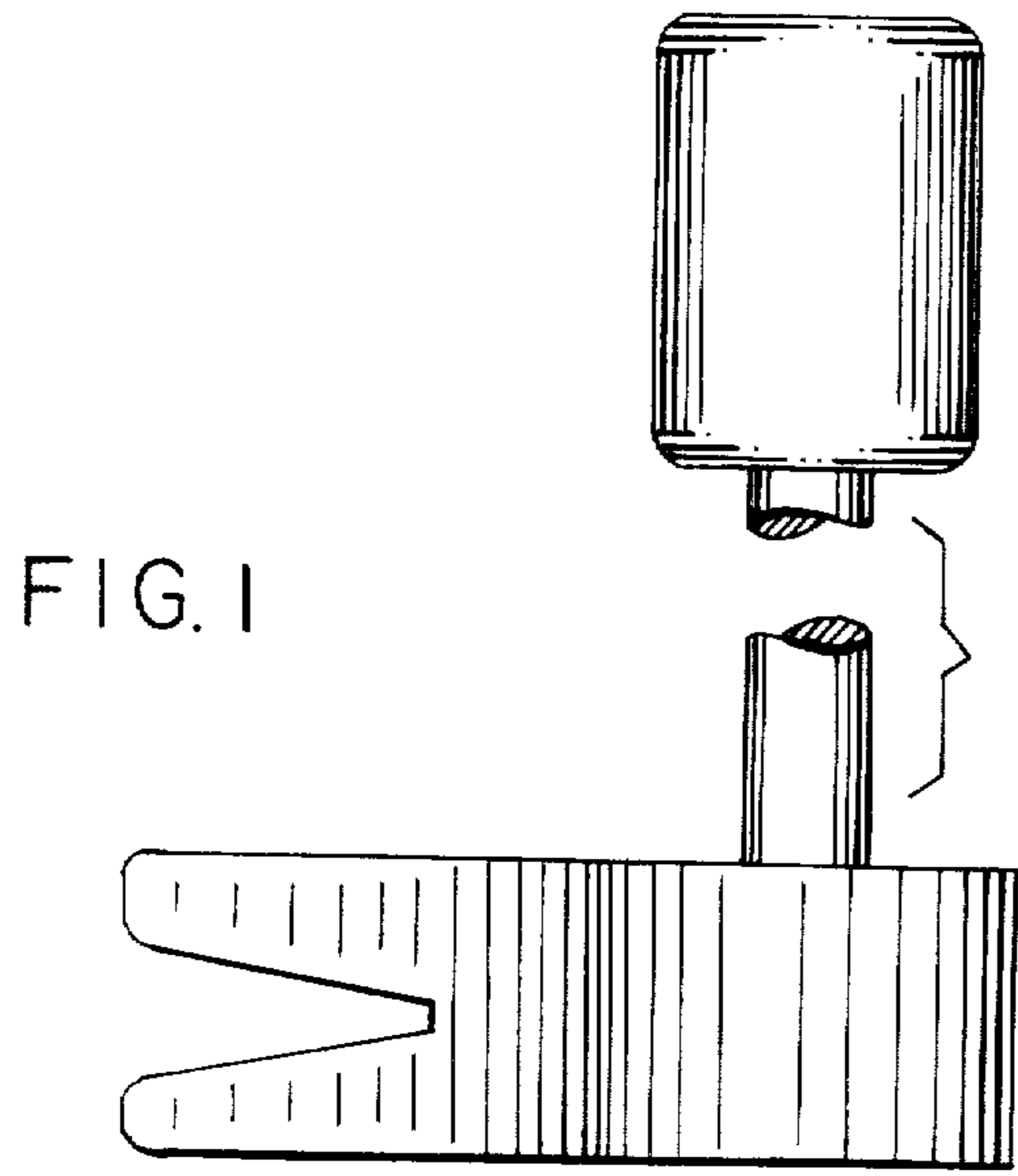


FIG. 2

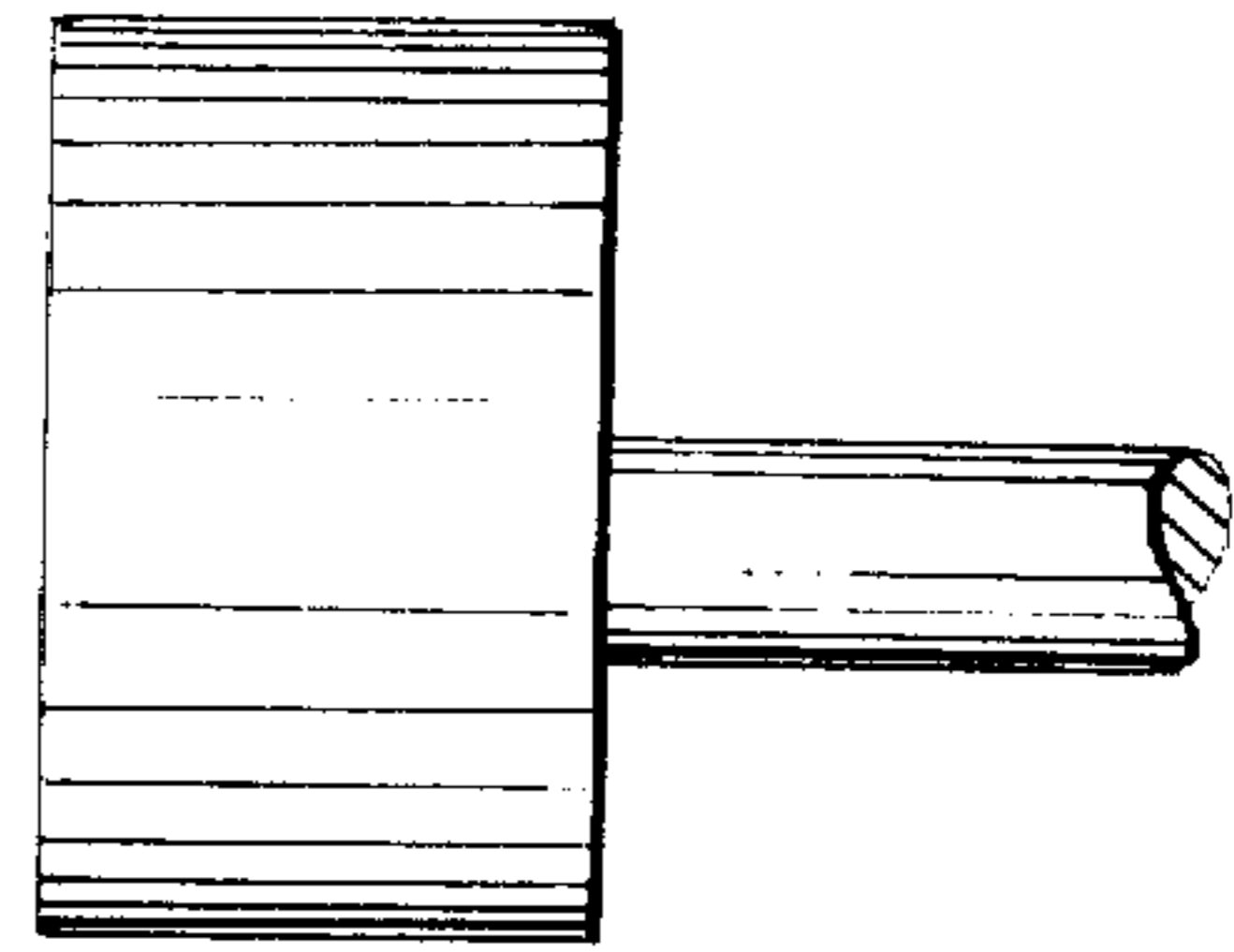


FIG. 3

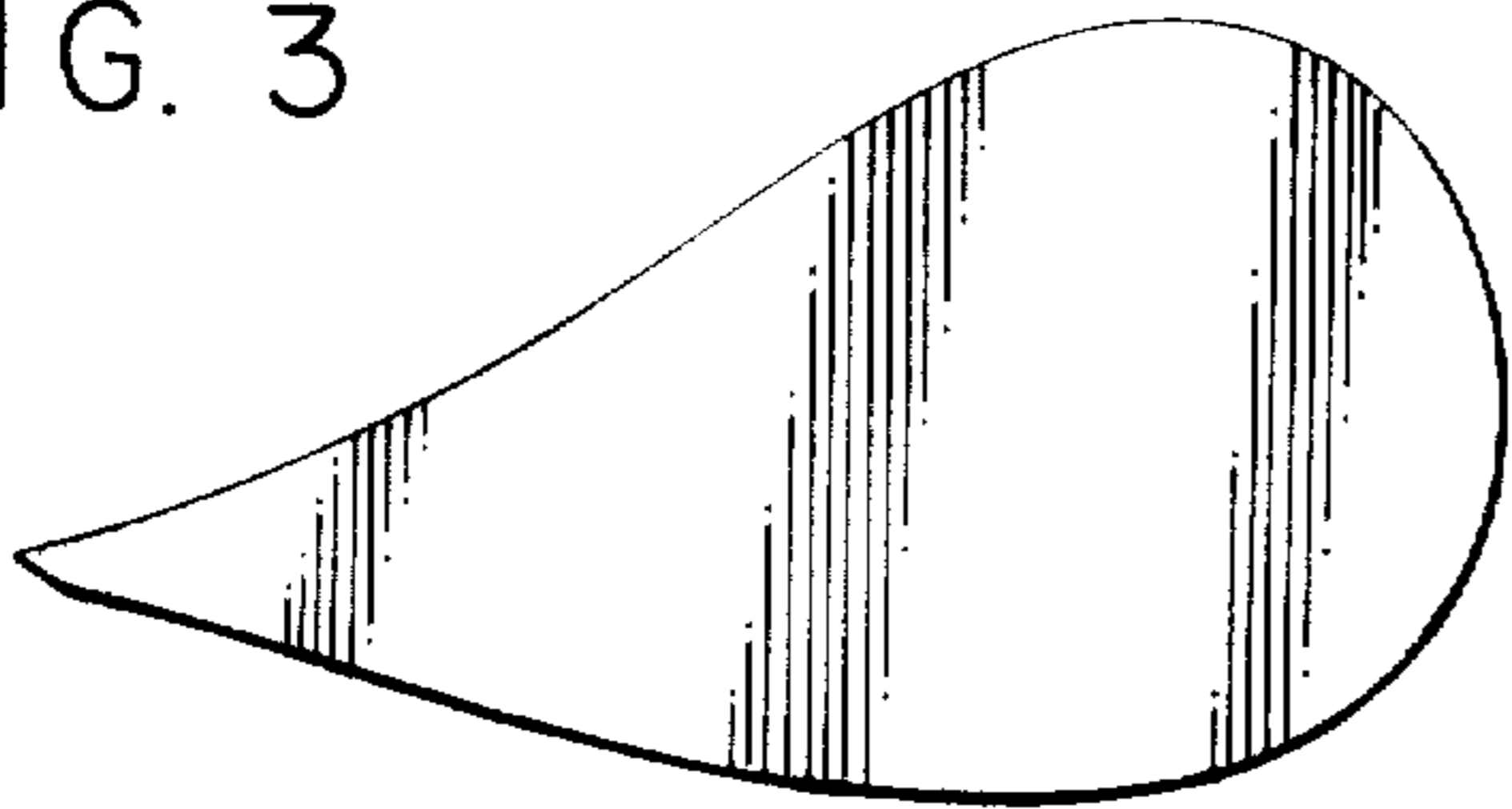


FIG. 4

