

[54] **HAND-HELD BATTERY-OPERATED BROOM-LIKE CLEANING DEVICE**

[76] Inventor: **John S. Doyel**, 404 W. 20th St., New York, N.Y. 10011

[**] Term: **14 Years**

[21] Appl. No.: **30,563**

[22] Filed: **Apr. 16, 1979**

[51] Int. Cl. **D7-05**

[52] U.S. Cl. **D32/18**

[58] Field of Search **D7/164; 15/344, 22 B, 15/41, 49 R, 51, 80, 97 R, 98, 99**

[56] **References Cited**

U.S. PATENT DOCUMENTS

D. 232,343	8/1974	Doyel	D7/164
1,200,092	10/1916	Elliott et al.	15/80
3,252,175	5/1966	Pedersen	15/22 B
3,308,498	3/1967	Evans, Jr.	15/23
3,368,231	2/1968	Kravos et al.	15/344
3,872,539	3/1975	Doyel	15/344
4,209,870	7/1980	Doyel	15/22 B X

Primary Examiner—Catherine E. Kemper
Attorney, Agent, or Firm—Copper, Dunham, Clark, Griffin & Moran

[57] **CLAIM**

The ornamental design for a hand-held battery-operated broom-like cleaning device, as shown and described.

DESCRIPTION

FIG. 1 is a side elevational view of a hand-held battery-operated broom-like cleaning device showing my new design.

FIG. 2 is a top plan view thereof.

FIG. 3 is an elevational view of the side opposite that shown in FIG. 1.

FIG. 4 is a bottom plan view thereof.

FIG. 5 is a front elevational view thereof.

FIG. 6 is a back elevational view thereof.

FIG. 7 is a side elevational view of an alternate embodiment thereof.

FIG. 8 is a top plan view of the alternate embodiment.

FIG. 9 is an elevational view of the alternate embodiment showing the side opposite that shown in FIG. 7.

FIG. 10 is a bottom plan view of the alternate embodiment.

FIG. 11 is a front elevational view of the alternate embodiment.

FIG. 12 is a back elevational view of the alternate embodiment.

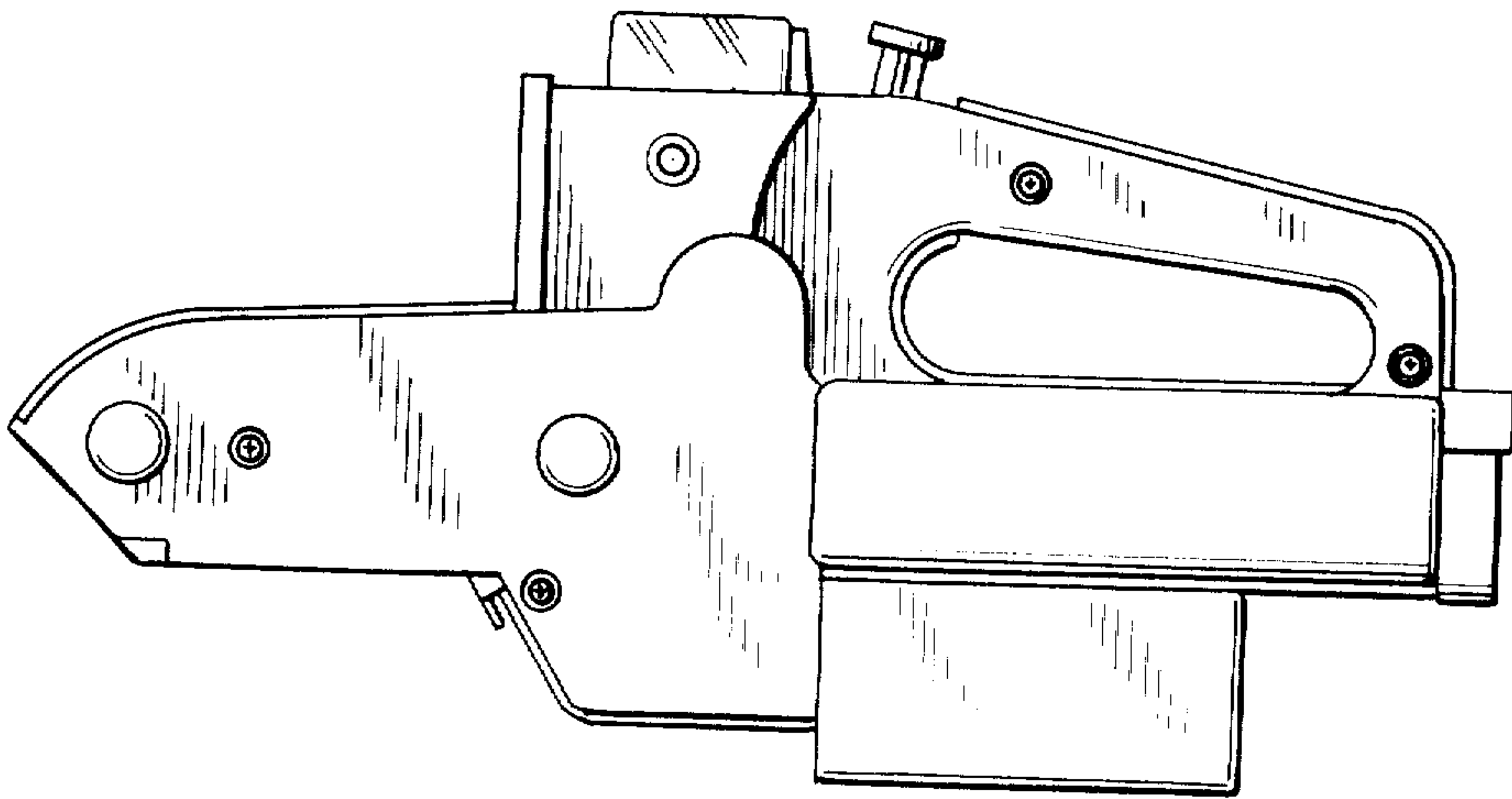


Fig. 1.

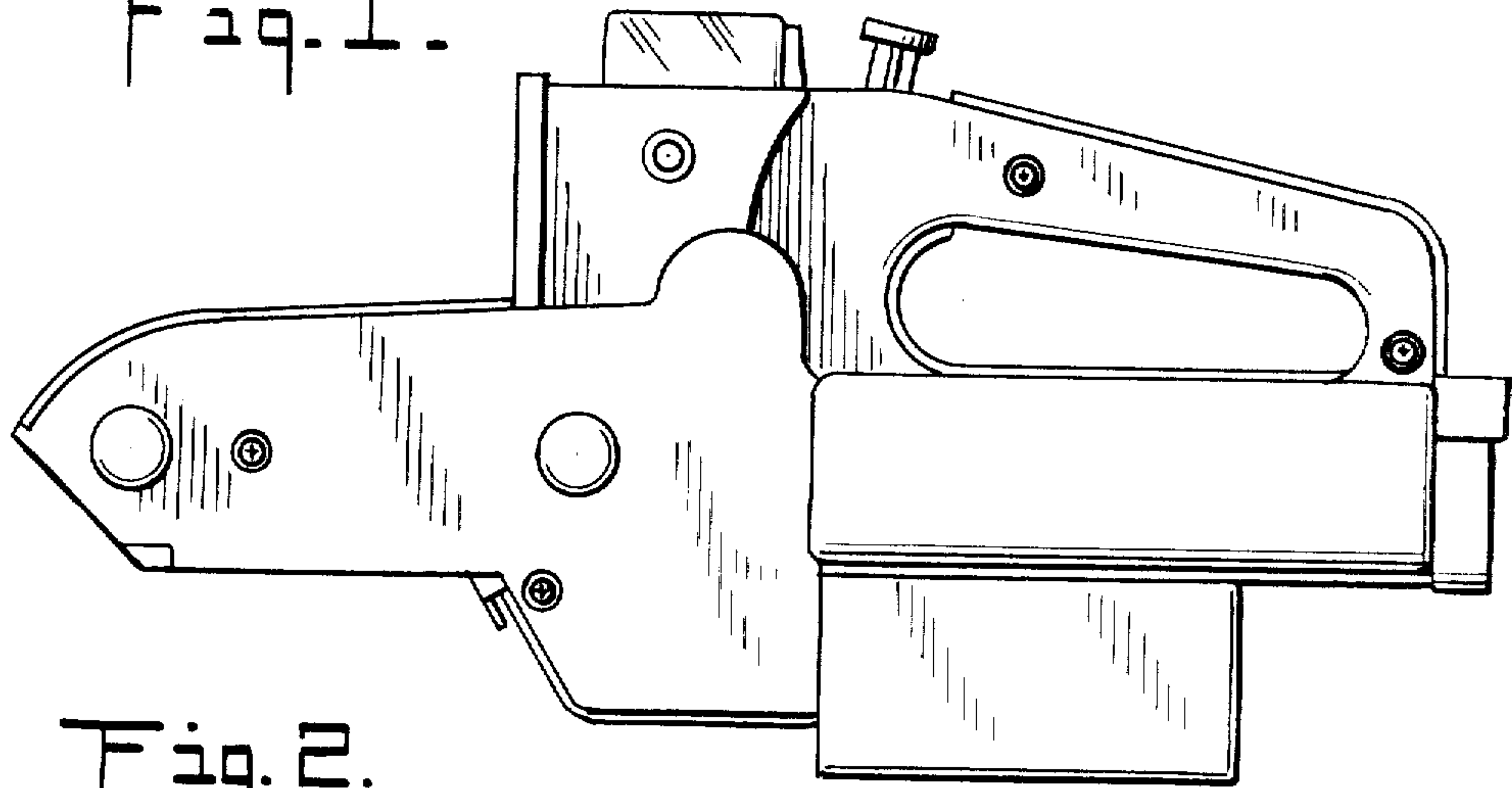


Fig. 2.

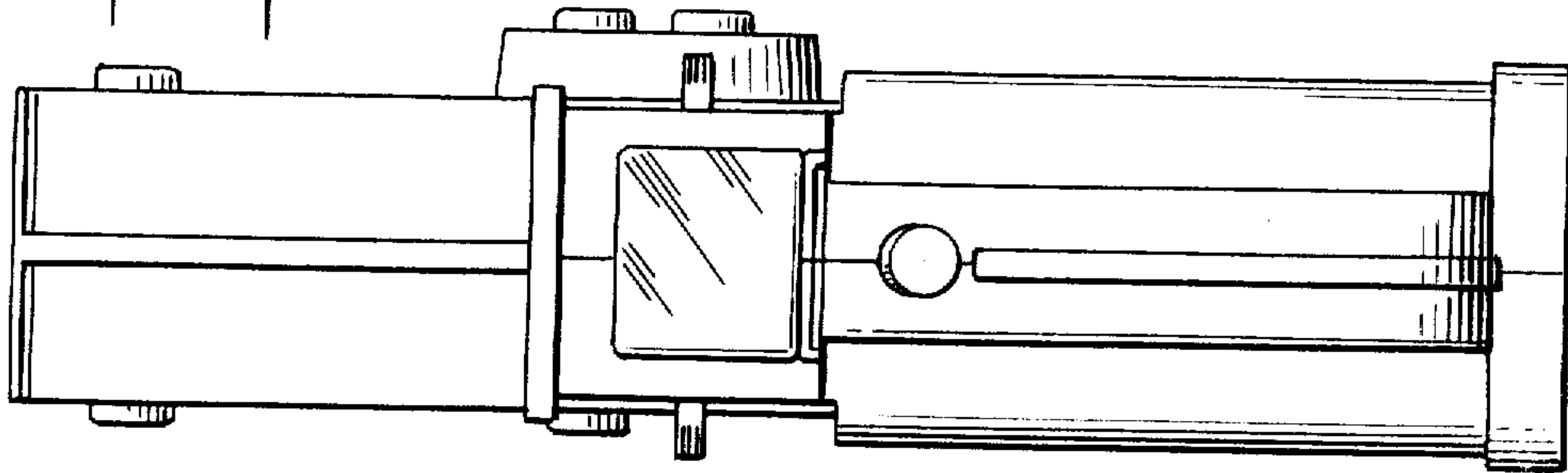


Fig. 3.

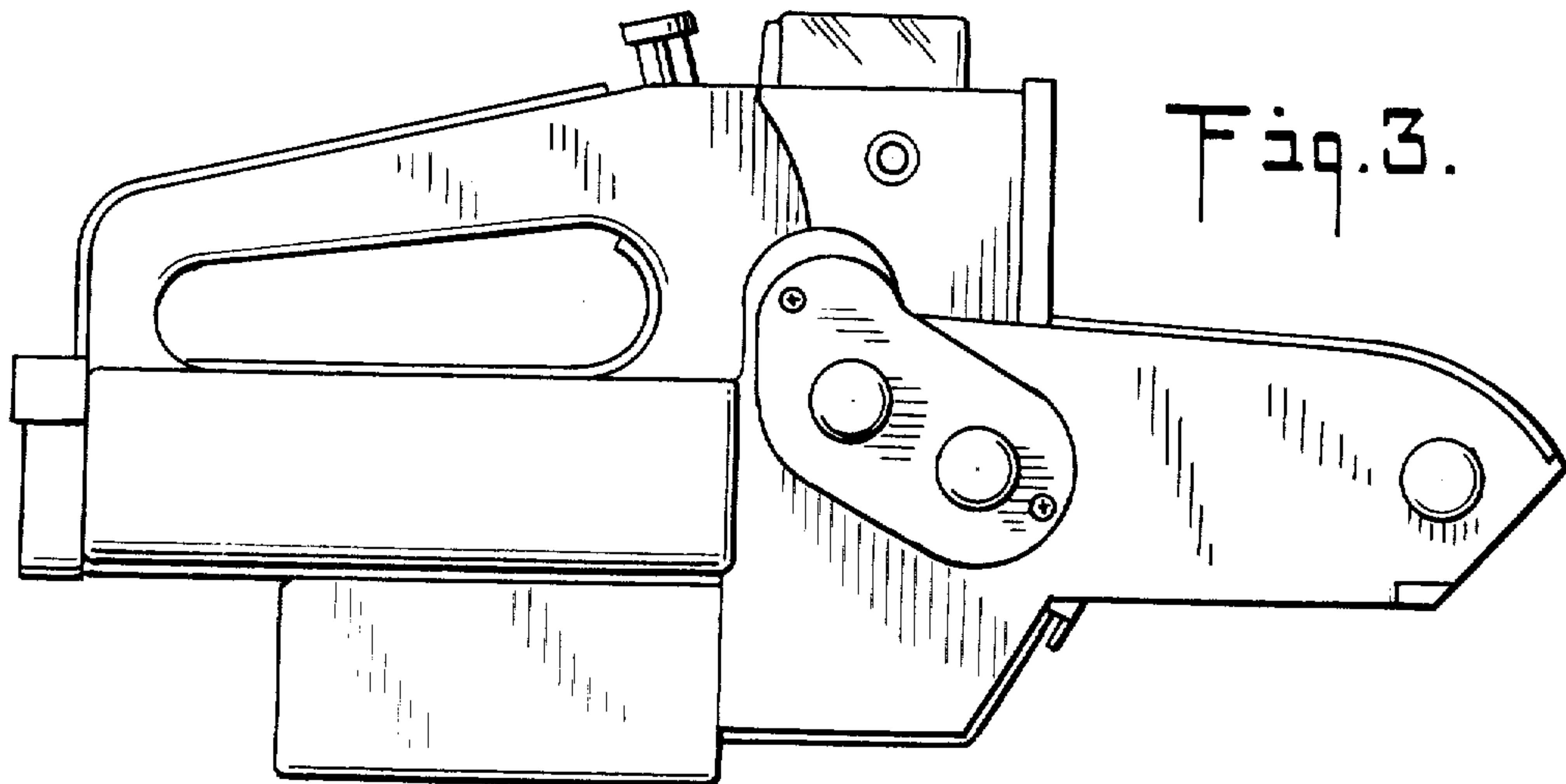


Fig. 4.

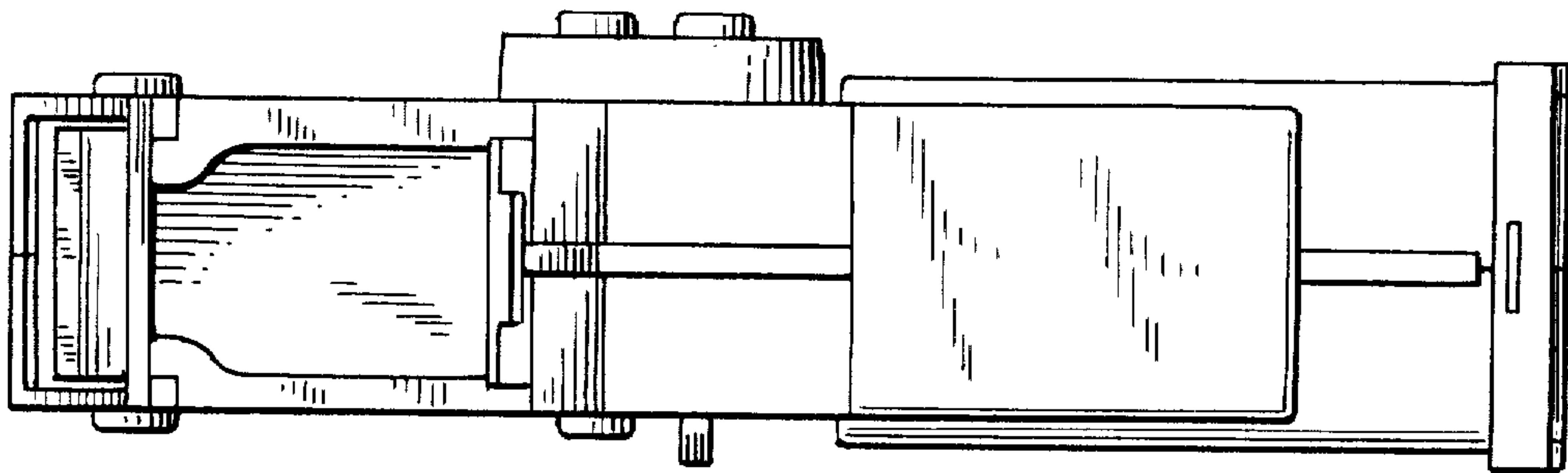


Fig. 5.

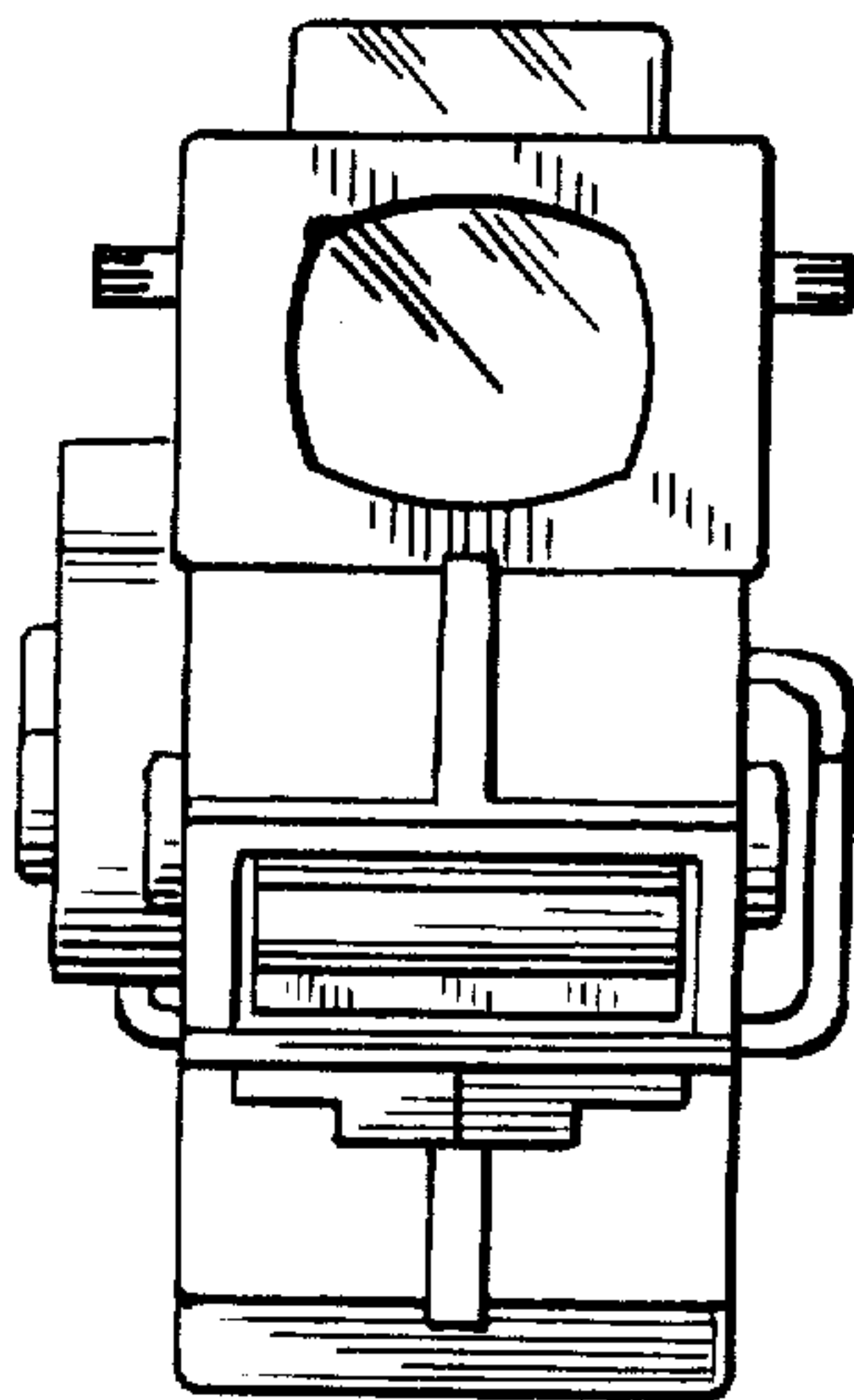


Fig. 6.

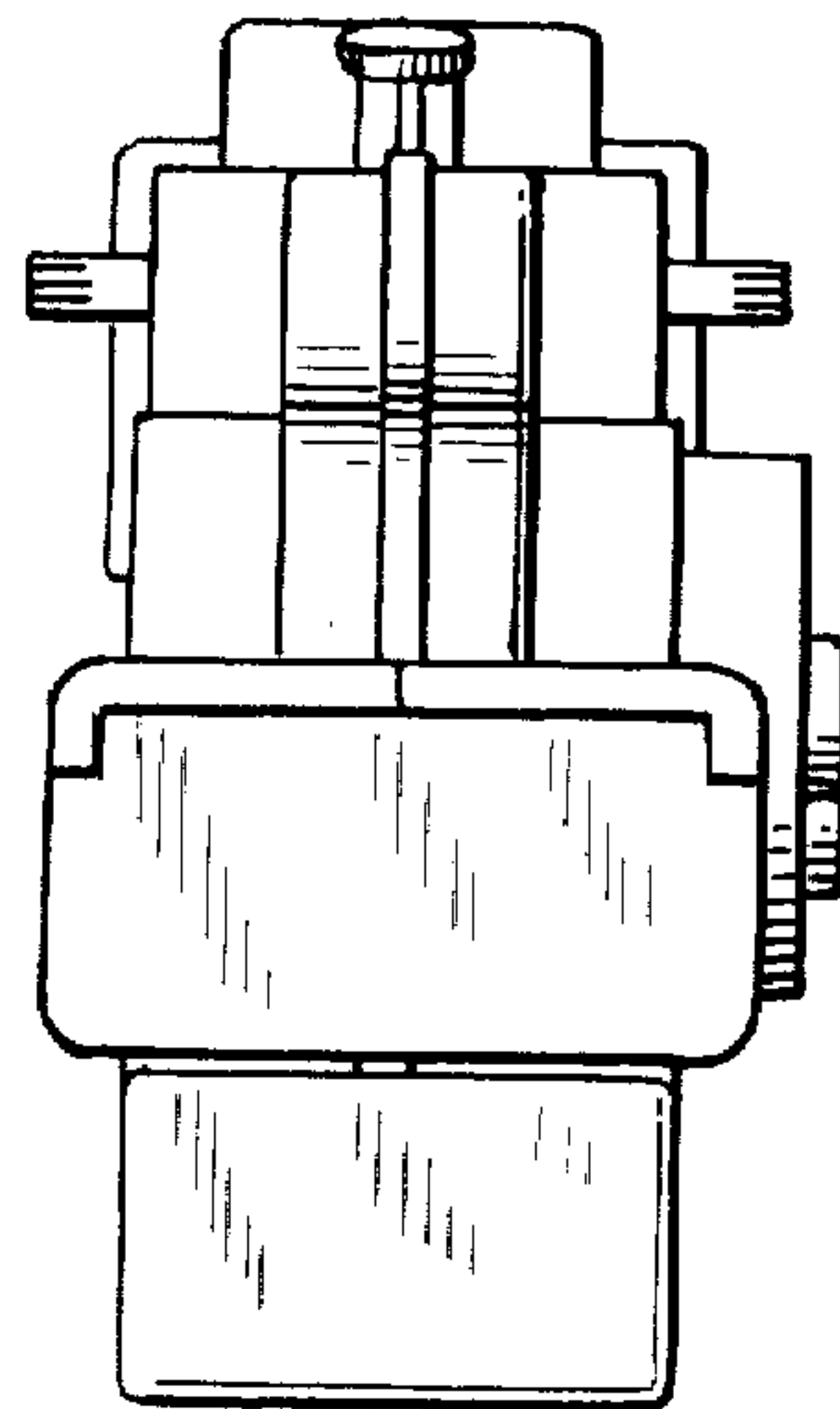


Fig. 7.

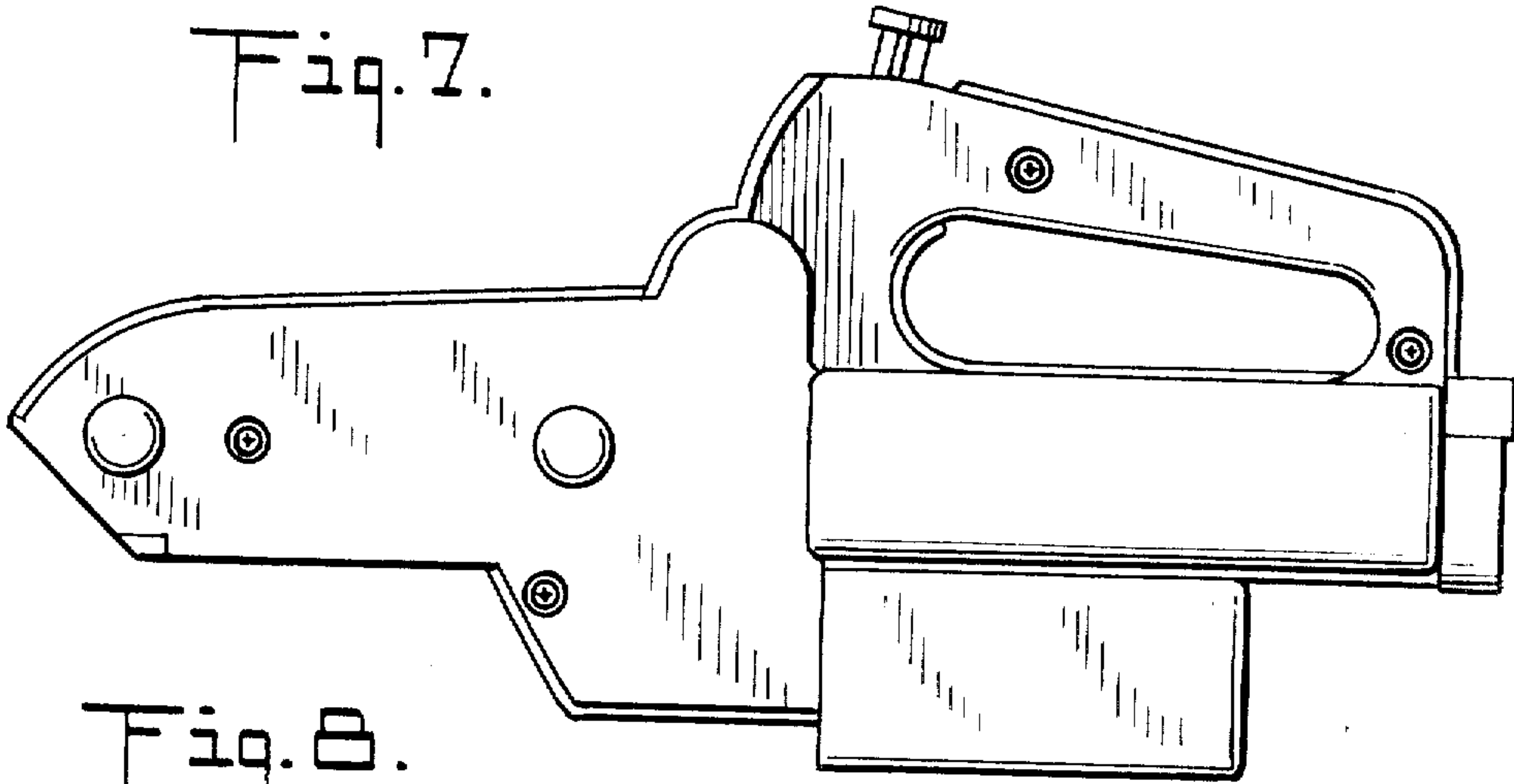


Fig. 8.

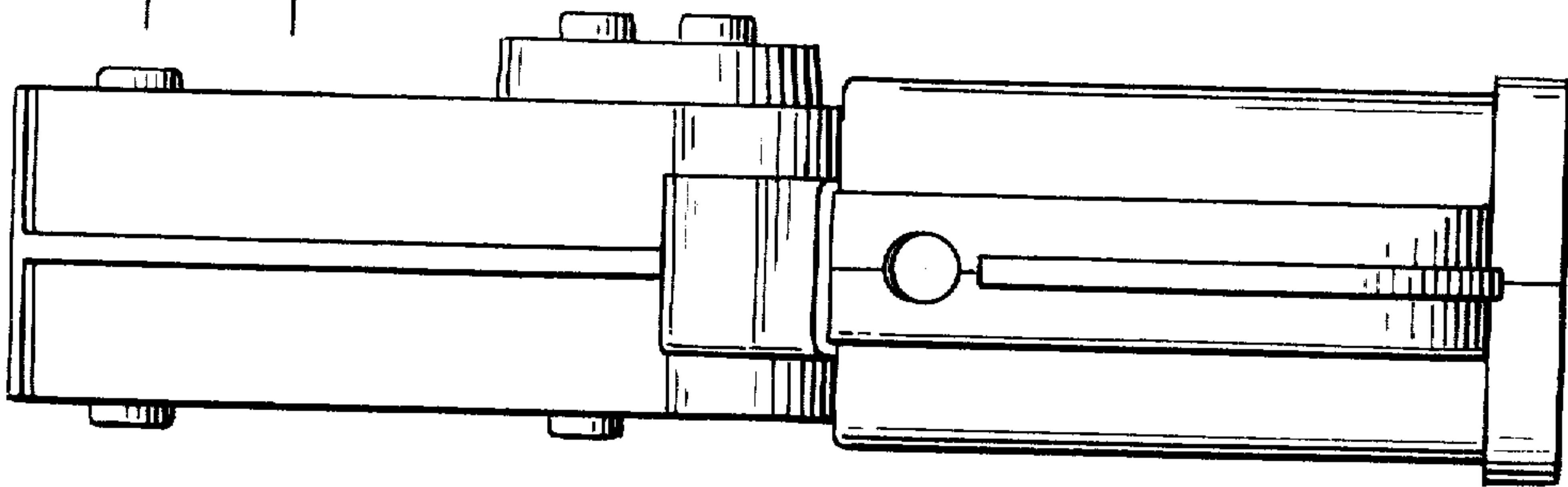


Fig. 9.

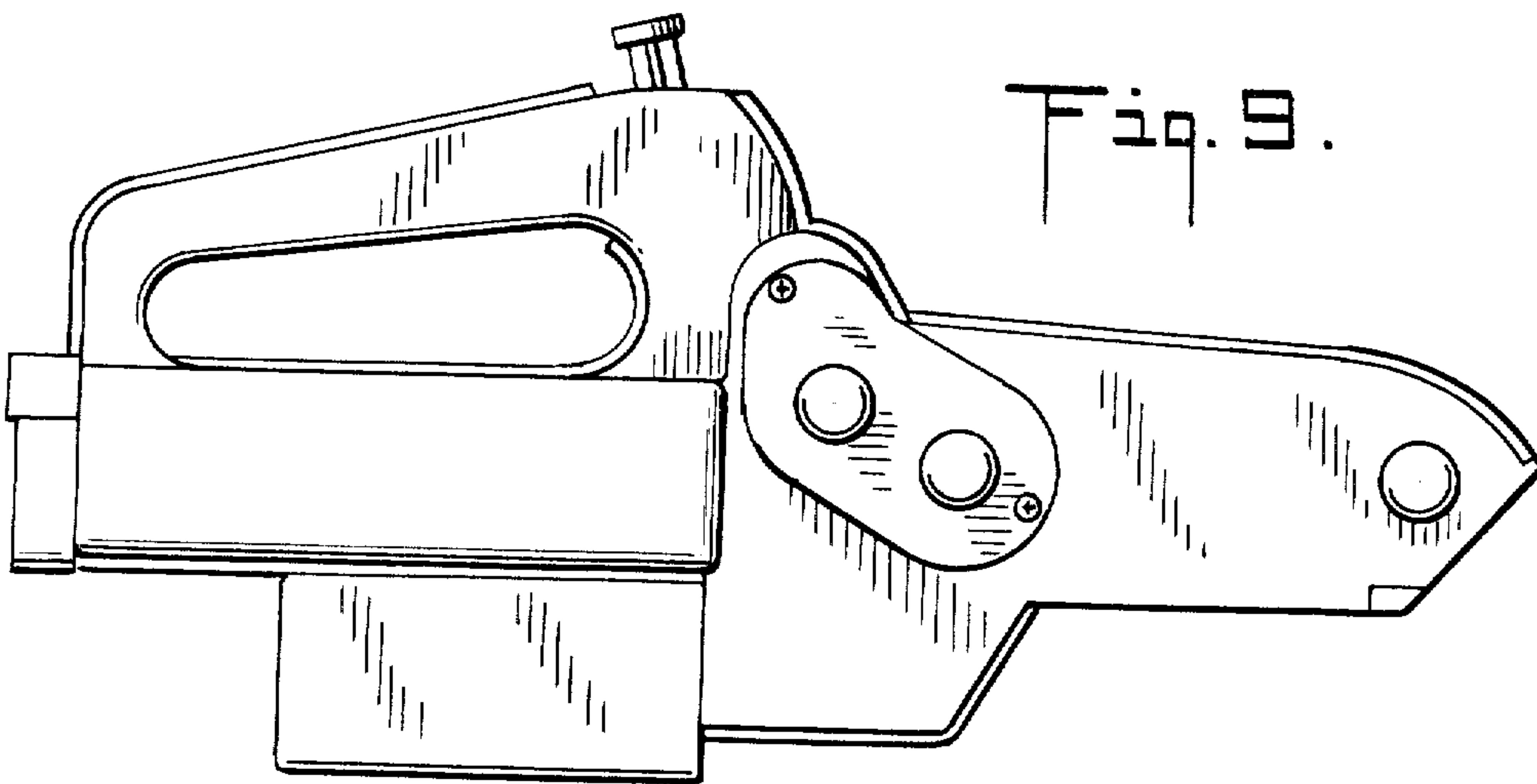


Fig. 10.

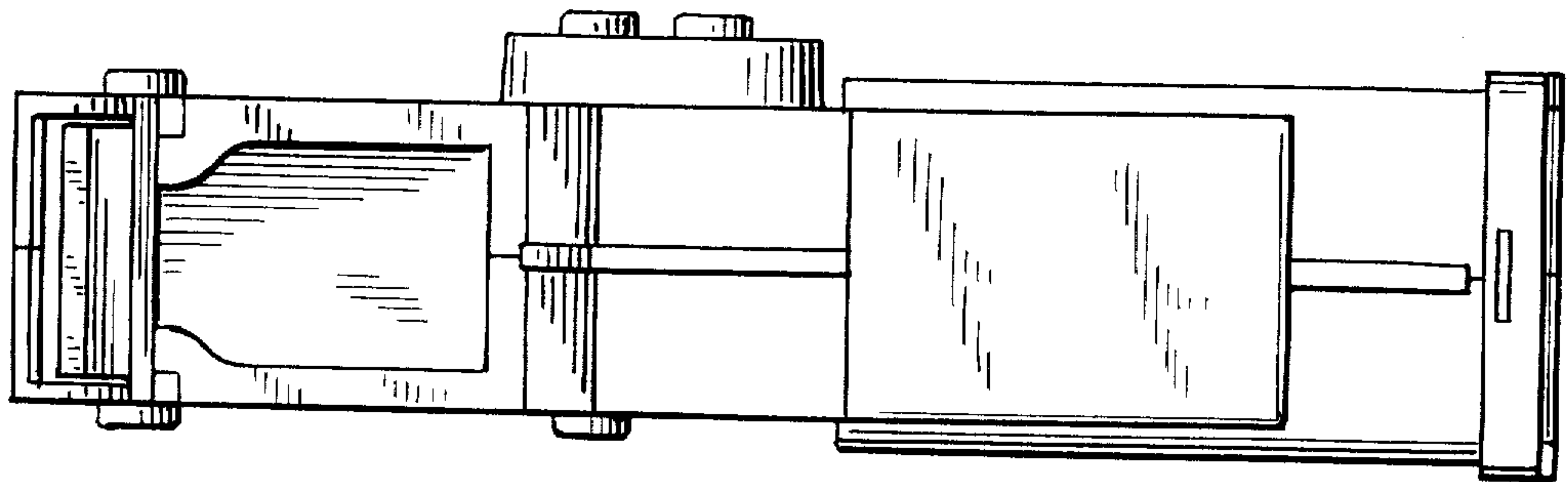


Fig. 11.

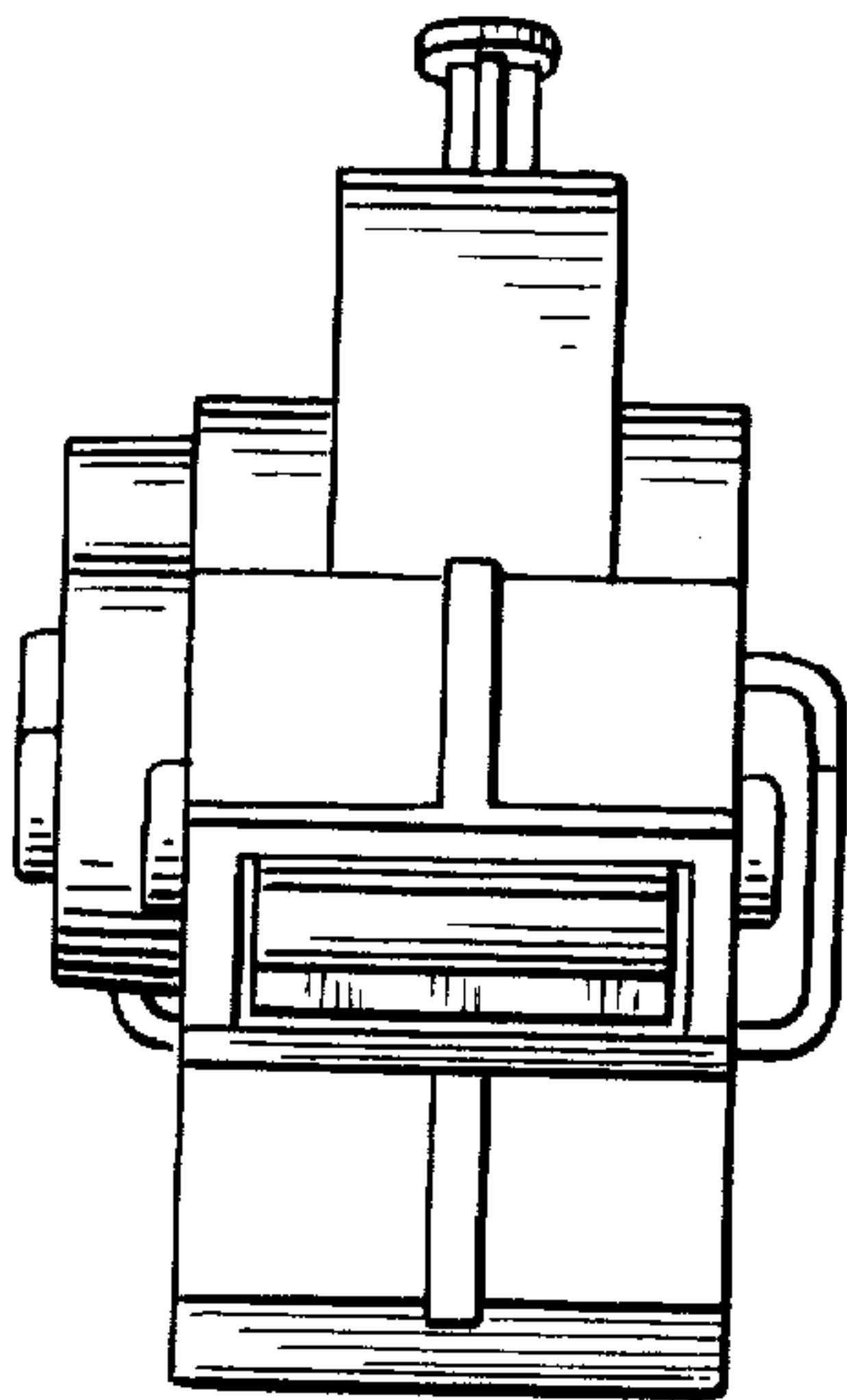


Fig. 12.

