

[54] **COMBINED ELECTRIC POT SCRUBBER AND HOLDER THEREFOR**

[76] Inventor: **Seymour Sohn**, 2621 Pico Blvd., "H", Santa Monica, Calif. 90405

[**] Term: **14 Years**

[21] Appl. No.: **943,179**

[22] Filed: **Sep. 18, 1978**

[51] Int. Cl. **D7—05; D15—05**

[52] U.S. Cl. **D32/17; D4/14; D4/16**

[58] Field of Search **D4/14, 16; D15/34, 48, D15/50; D7/161, 164; 15/23, 28**

[56] **References Cited**

U.S. PATENT DOCUMENTS

- D. 199,728 12/1964 Hall D4/16
- D. 200,092 1/1965 Polatchek D7/164
- D. 200,293 2/1965 Polatchek D4/14

2,778,043 1/1957 Arf D4/14

Primary Examiner—Sam Rosen

[57] **CLAIM**

The ornamental design for an electric pot scrubber and holder therefor, as shown and described.

DESCRIPTION

FIG. 1 is a side elevational view of my combined electric pot scrubber and holder therefor showing my new design;

FIG. 2 is a front end elevational view thereof;

FIG. 3 is a rear end elevational view thereof;

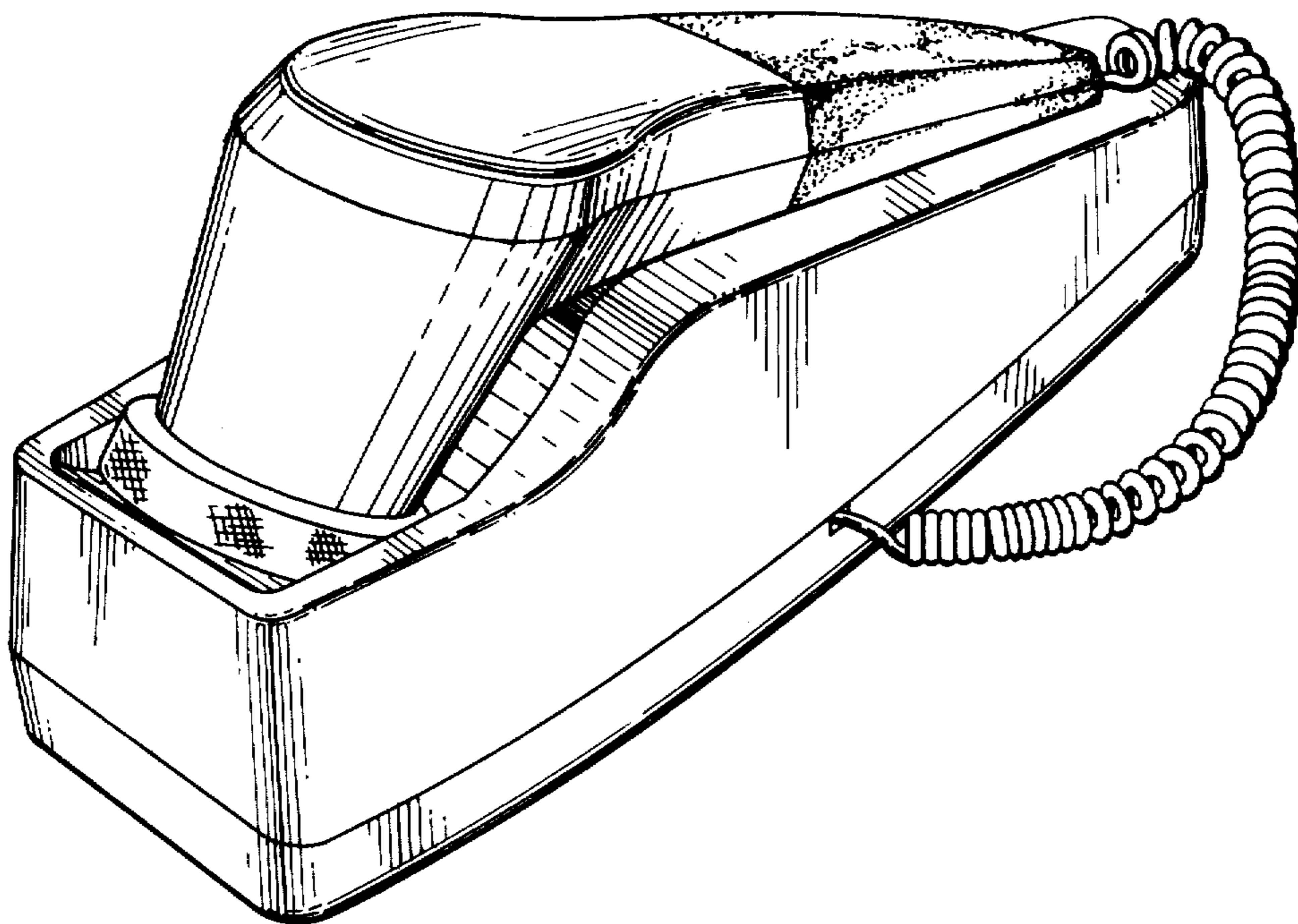
FIG. 4 is a top plan thereof;

FIG. 5 is a bottom plan thereof; and

FIG. 6 is a perspective view thereof showing the scrubber mounted in the holder with the electric cord attached.

The pot scrubber and holder are shown separately in FIGS. 1-5 for completeness of illustration.

The electric cord has been omitted from FIGS. 1-5 for ease of illustration.



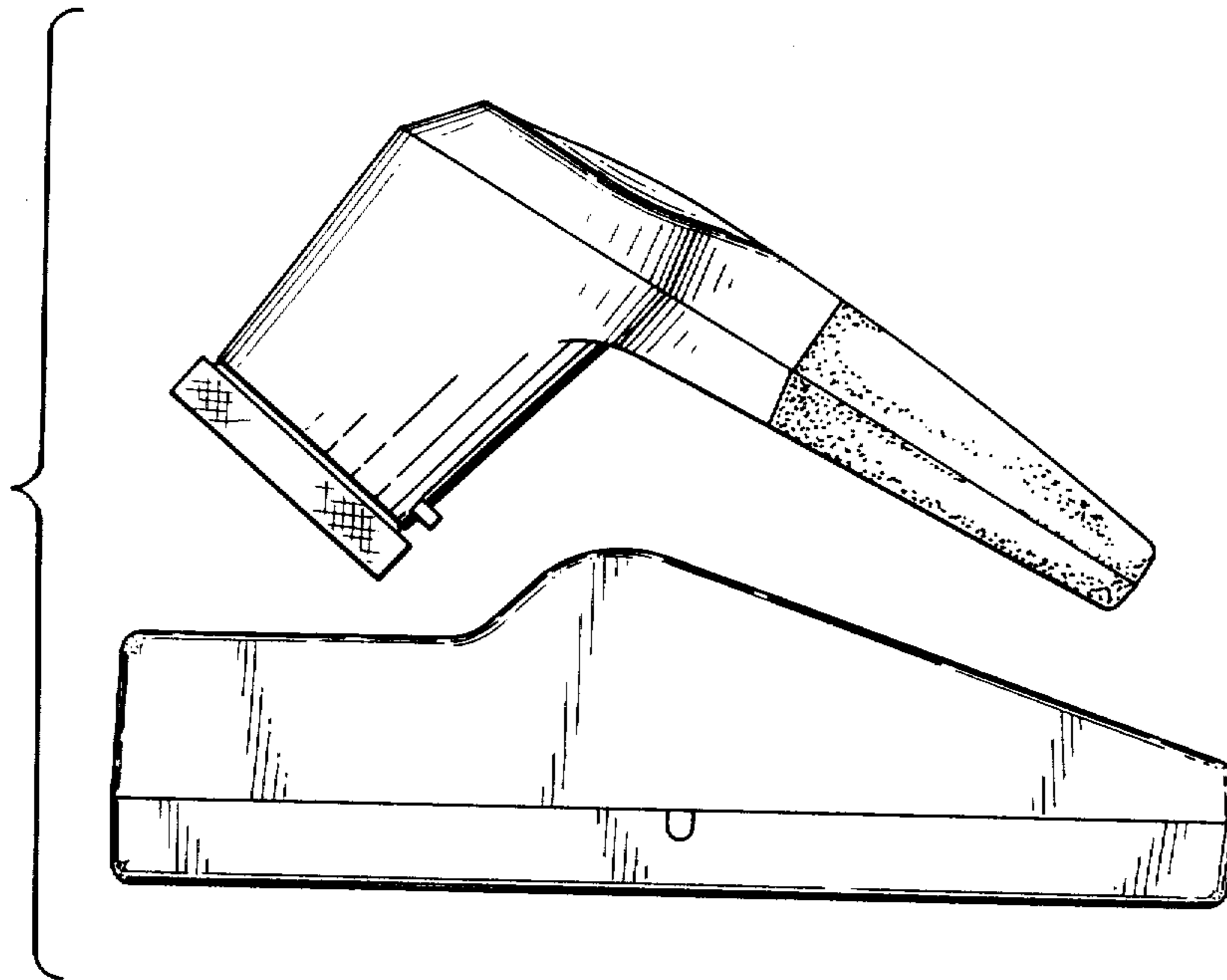


FIG. 1

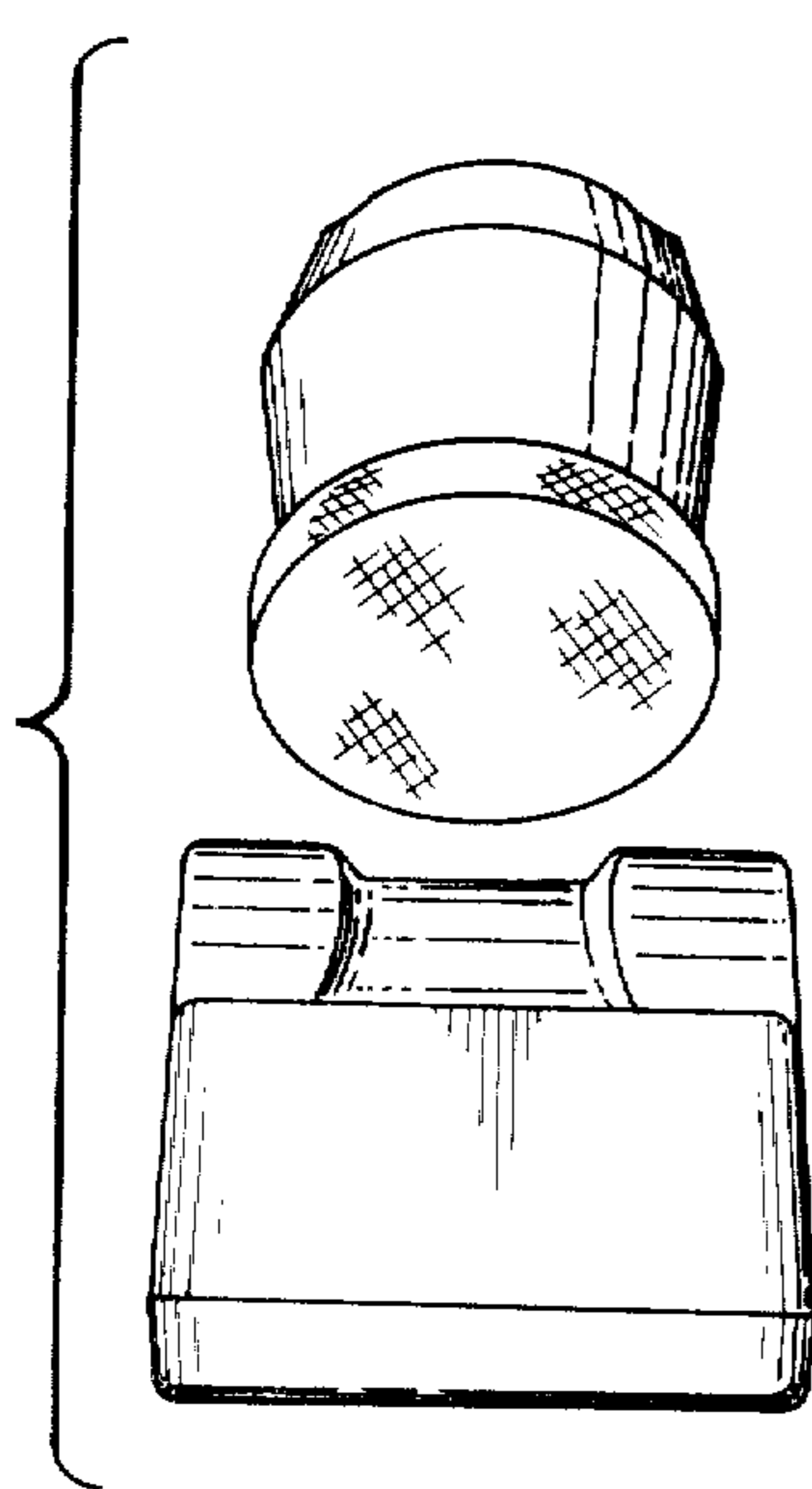


FIG. 2

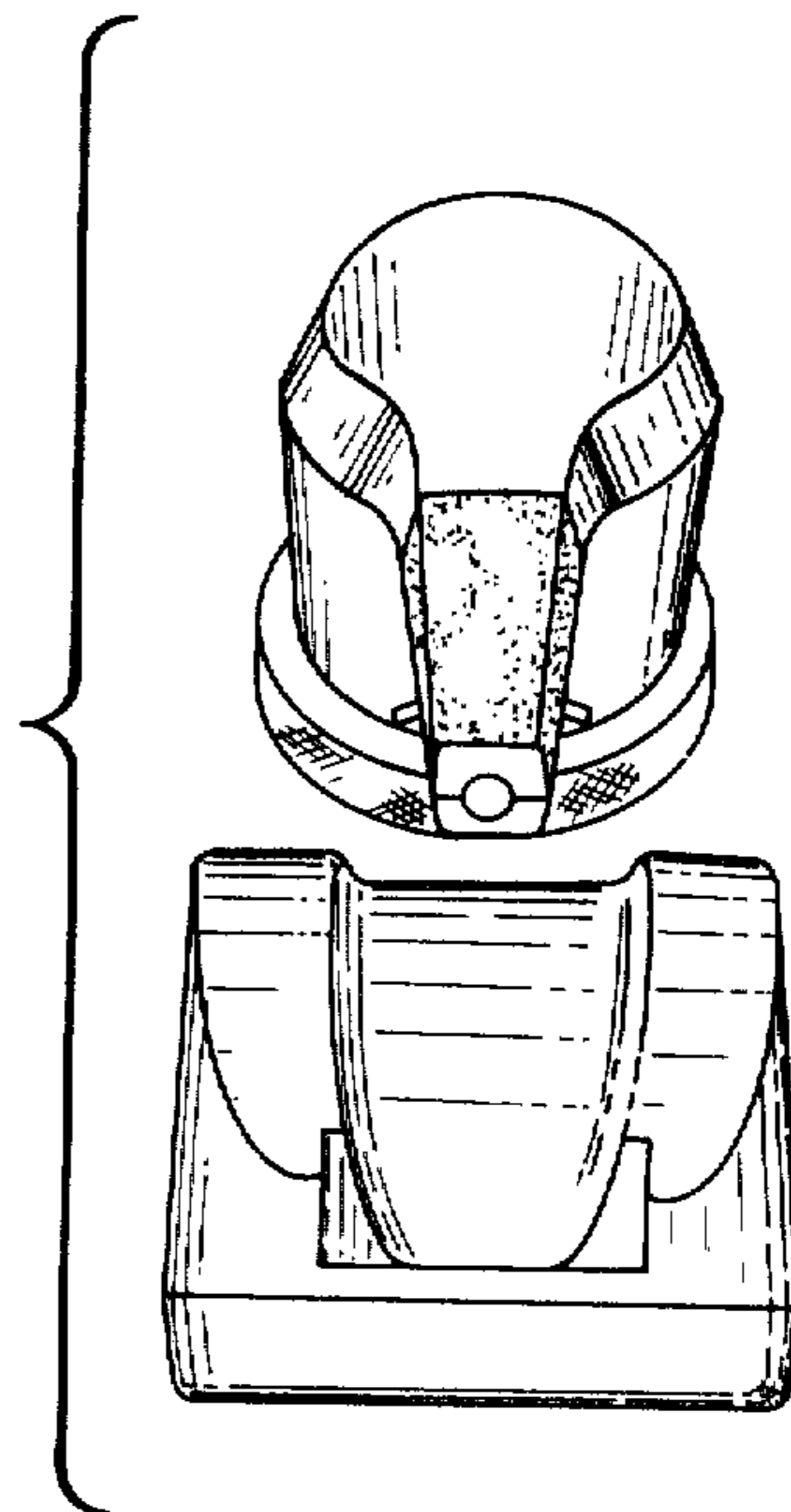


FIG. 3

FIG. 4

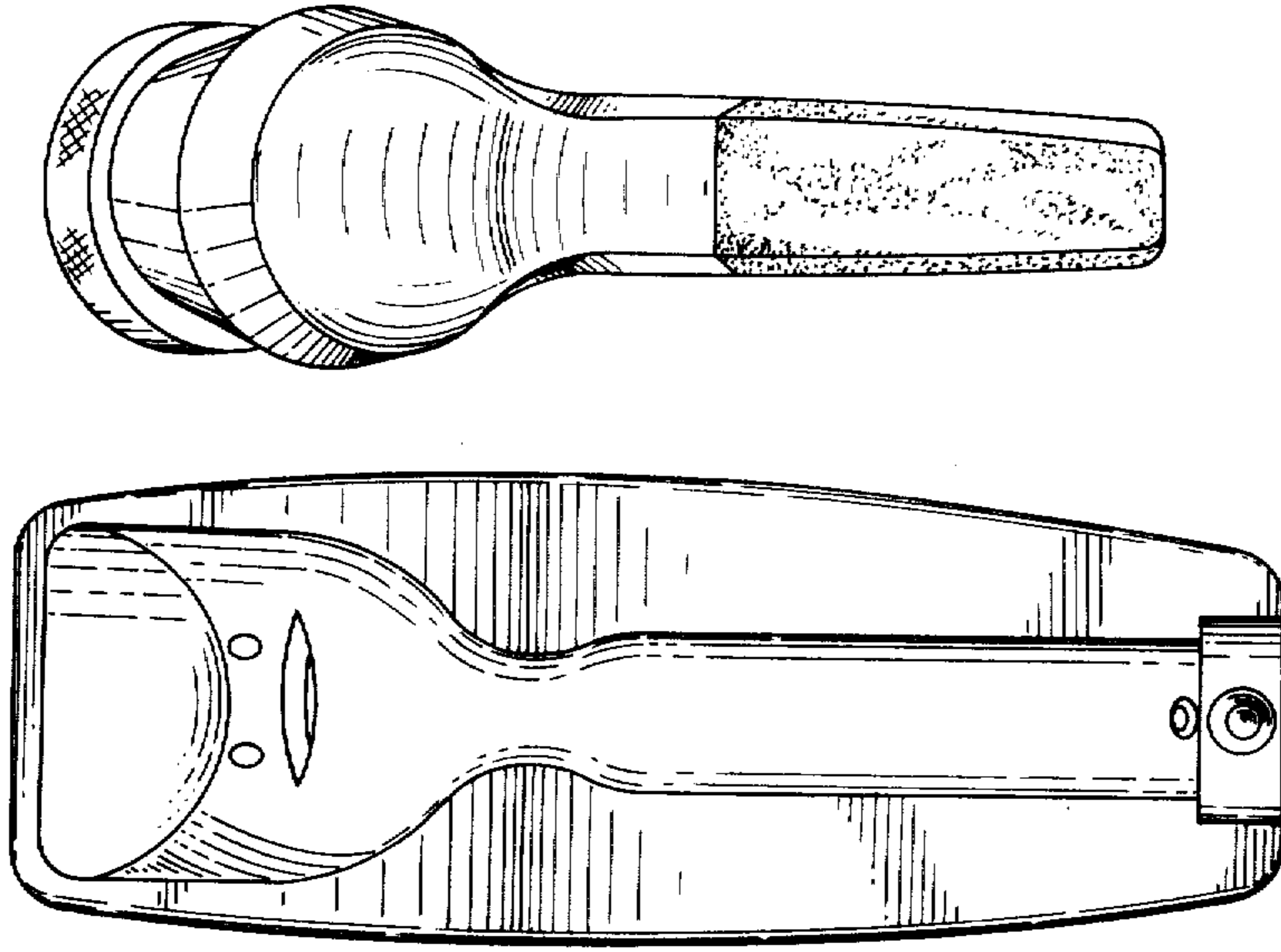


FIG. 5

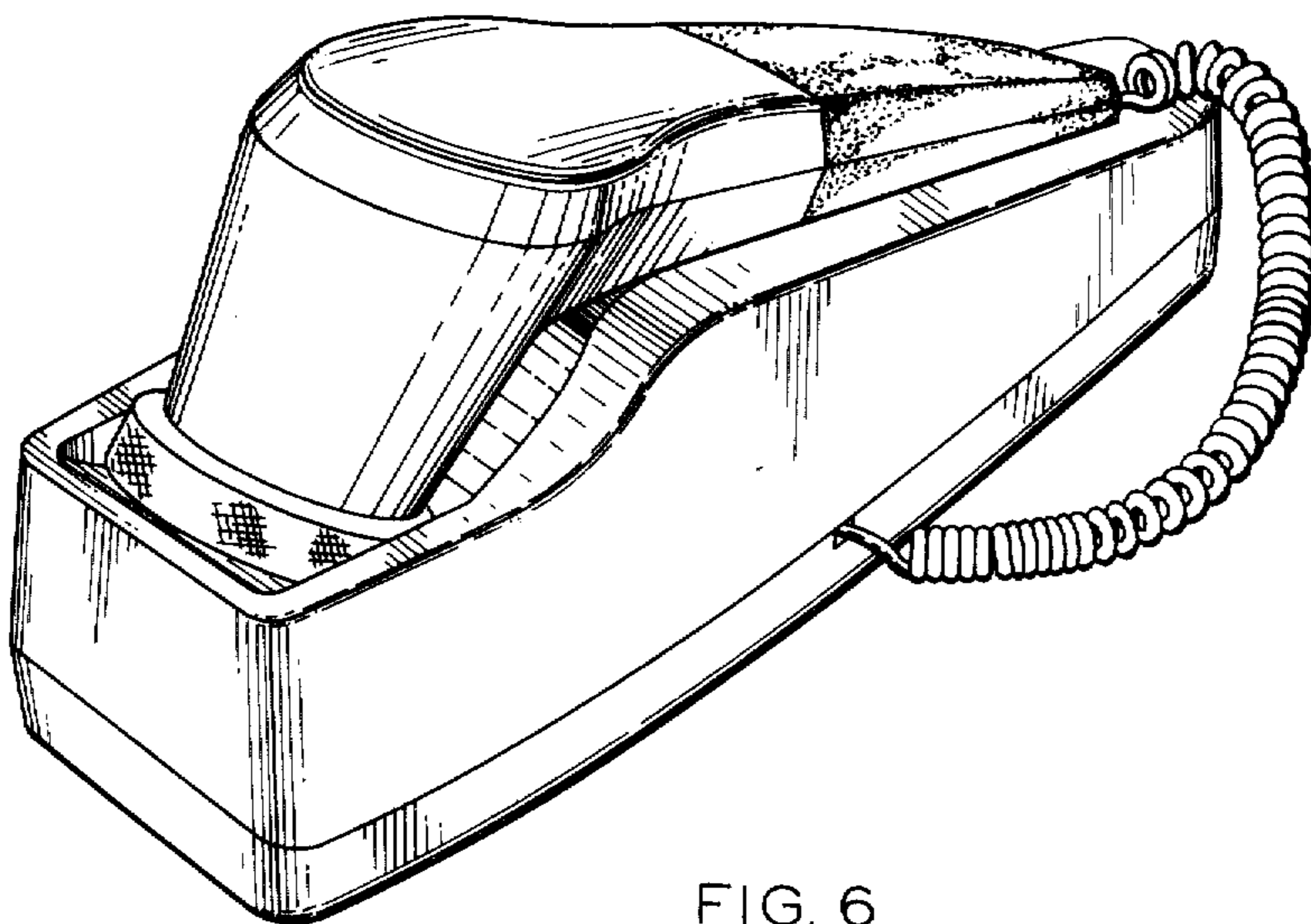
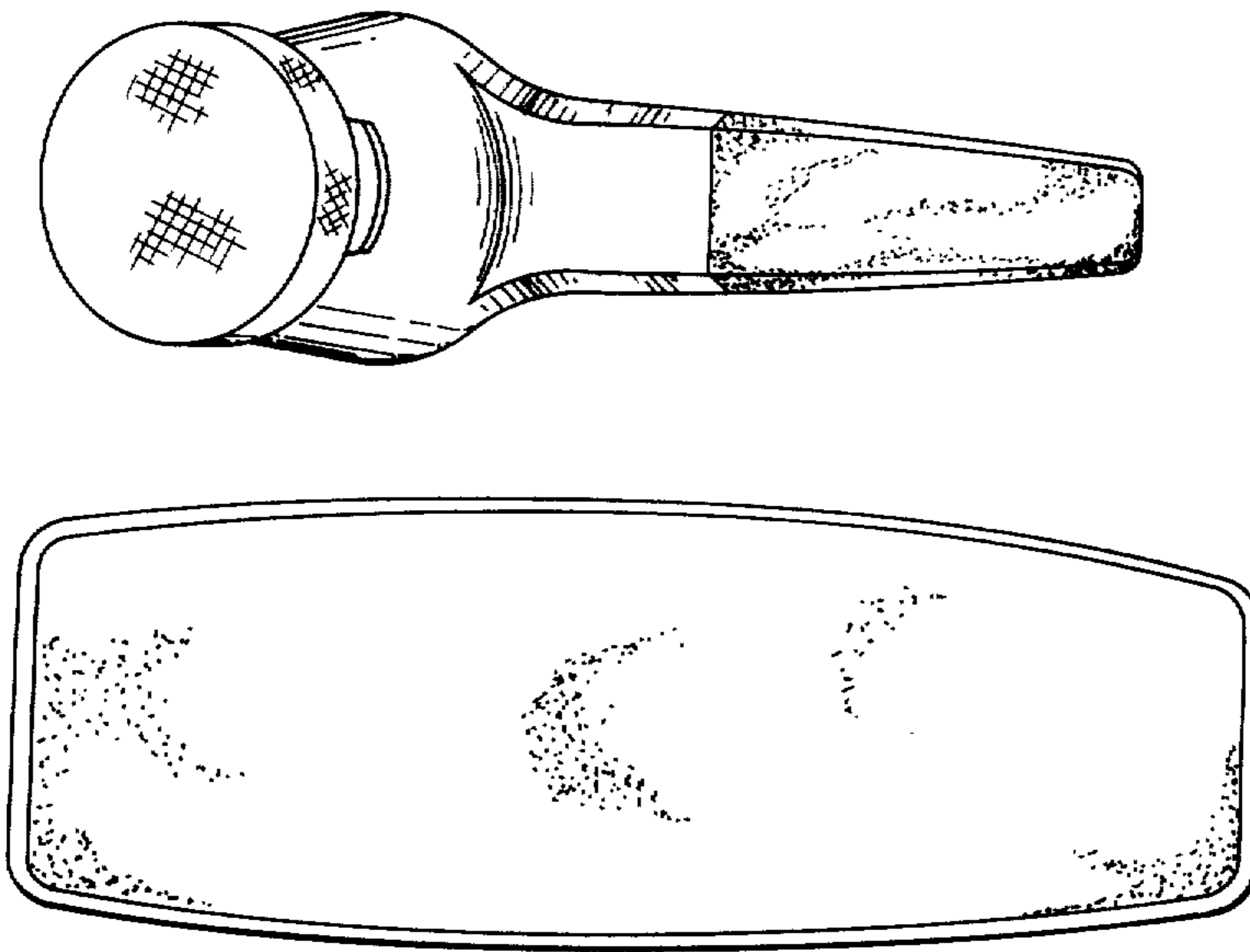


FIG. 6