

[54] WALL MOUNTABLE LIQUID CONTAINER

[76] Inventor: George J. Hartinger, 3906 Thomas Ave. North, Minneapolis, Minn. 55412

[**] Term: 14 Years

[21] Appl. No.: 126,876

[22] Filed: Mar. 3, 1980

[51] Int. Cl. D23-02

[52] U.S. Cl. D6/95

[58] Field of Search D6/86, 95; D9/337; 206/77.1; 222/173, 180, 181, 185

[56] References Cited

U.S. PATENT DOCUMENTS

D. 199,663 12/1964 Kuehner D6/95
D. 211,528 6/1968 Kane D6/95

D. 220,708 5/1971 Brott D6/95
3,540,631 11/1970 Schmidt 222/181
3,752,365 8/1973 Coleman 222/181

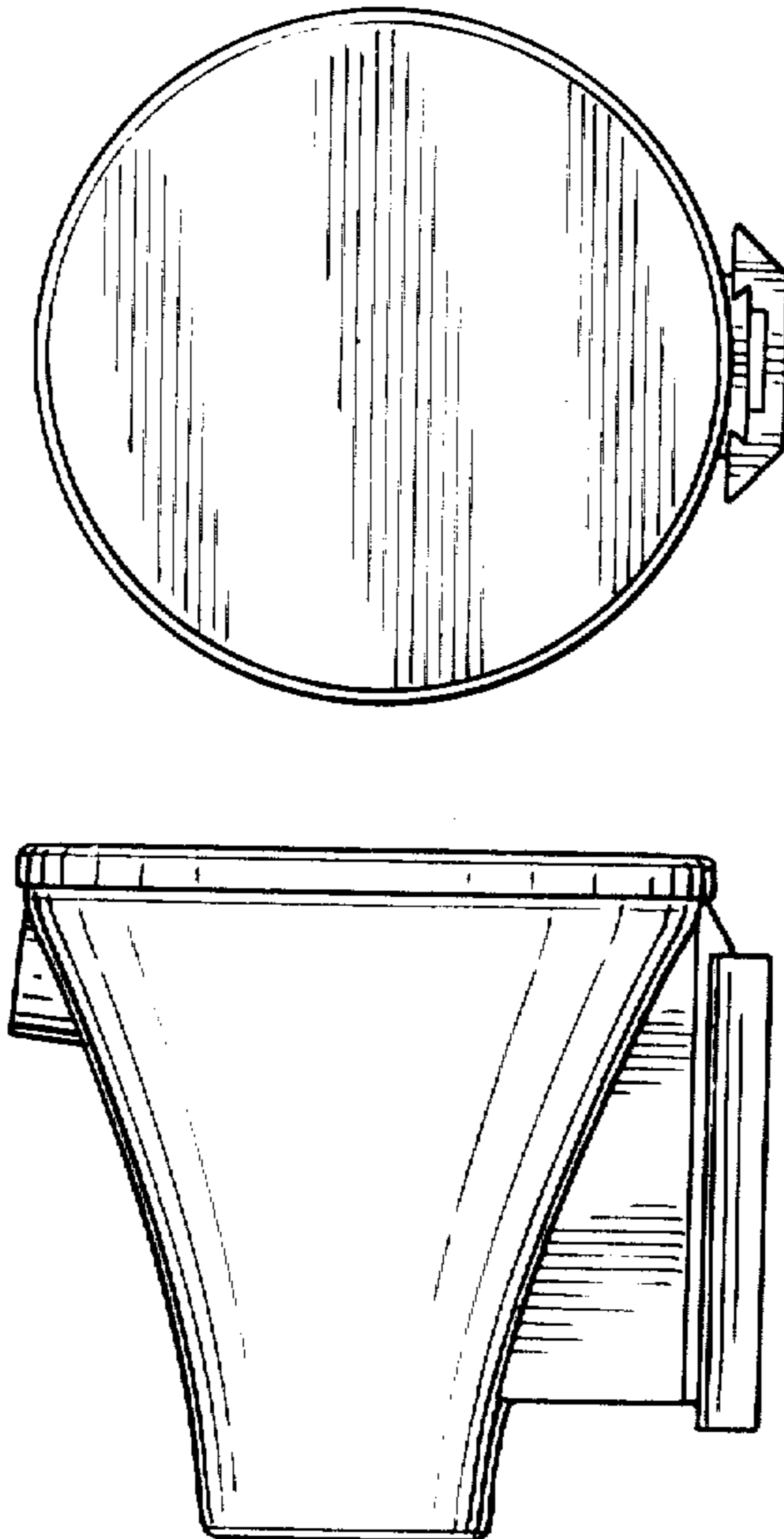
Primary Examiner—B. J. Bullock
Attorney, Agent, or Firm—Burd, Bartz & Gutenkauf

[57] CLAIM

The ornamental design for a wall mountable liquid container, substantially as shown and described.

DESCRIPTION

FIG. 1 is a top plan view of a wall mountable liquid container showing my new design;
FIG. 2 is a side elevational view thereof, the dispensing spout being shown in broken lines for illustrative purposes only;
FIG. 3 is a rear elevational view thereof;
FIG. 4 is a bottom plan view thereof; and
FIG. 5 is a front elevational view thereof.



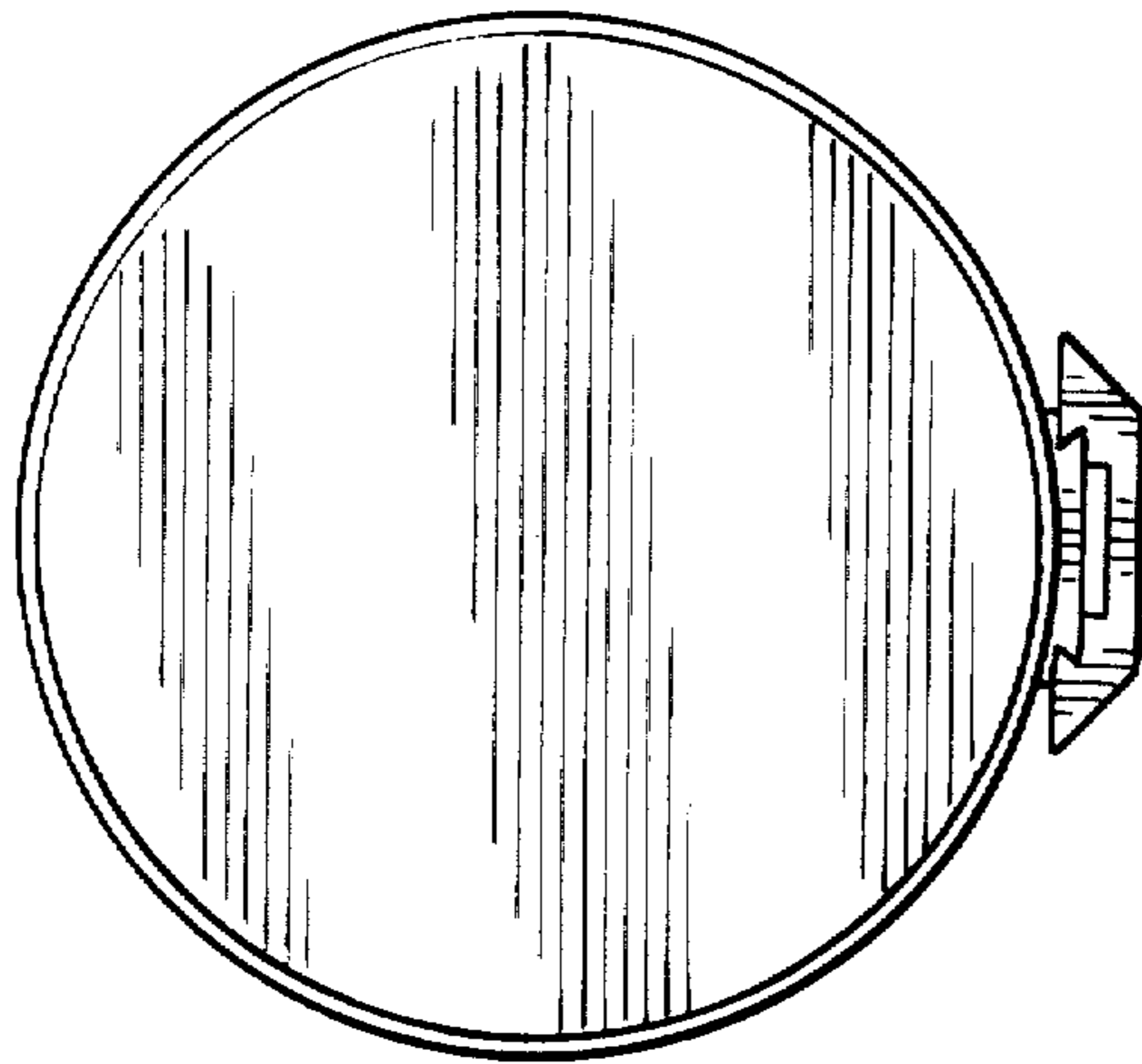


FIG. 1

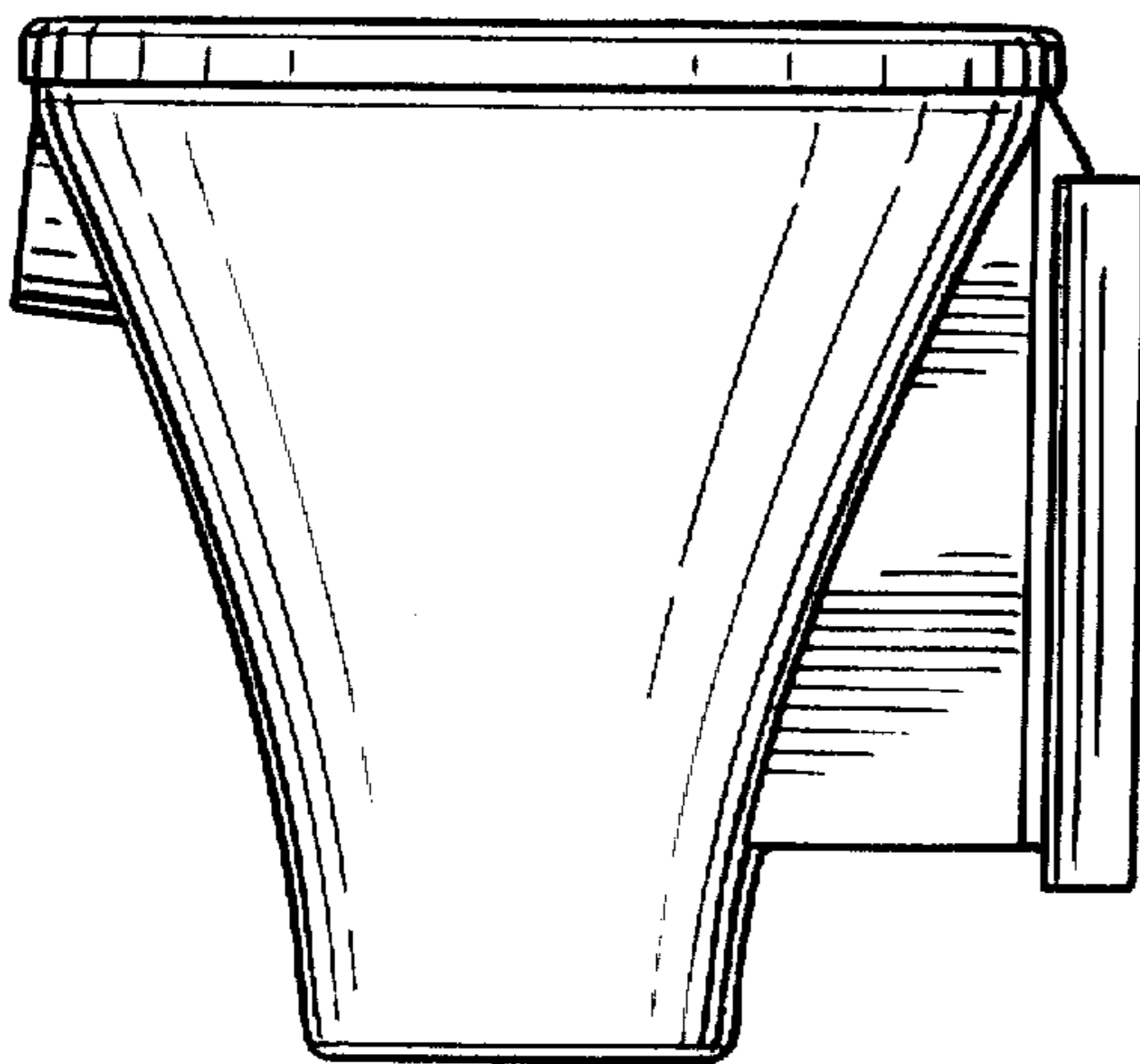


FIG. 2

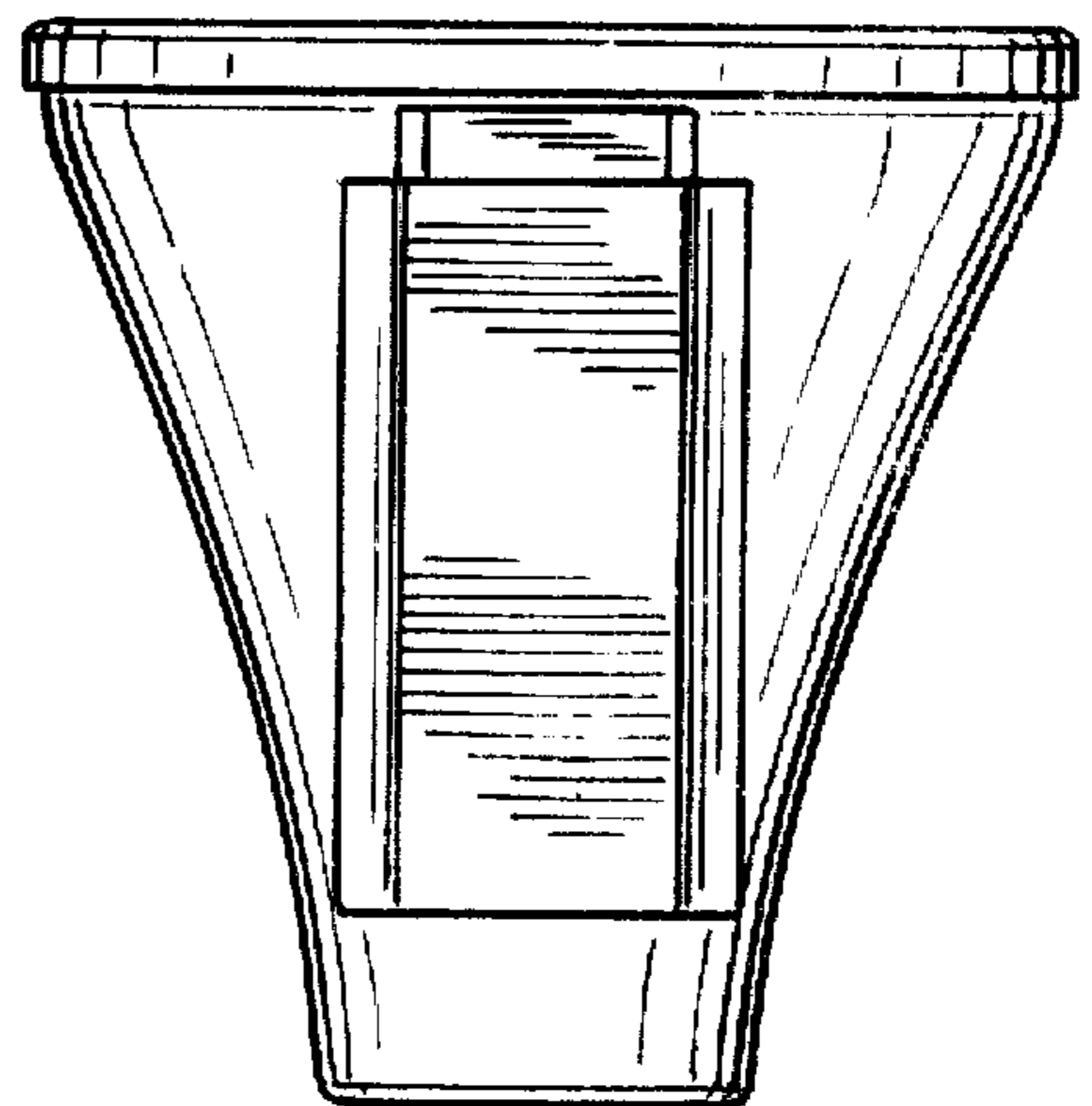


FIG. 3

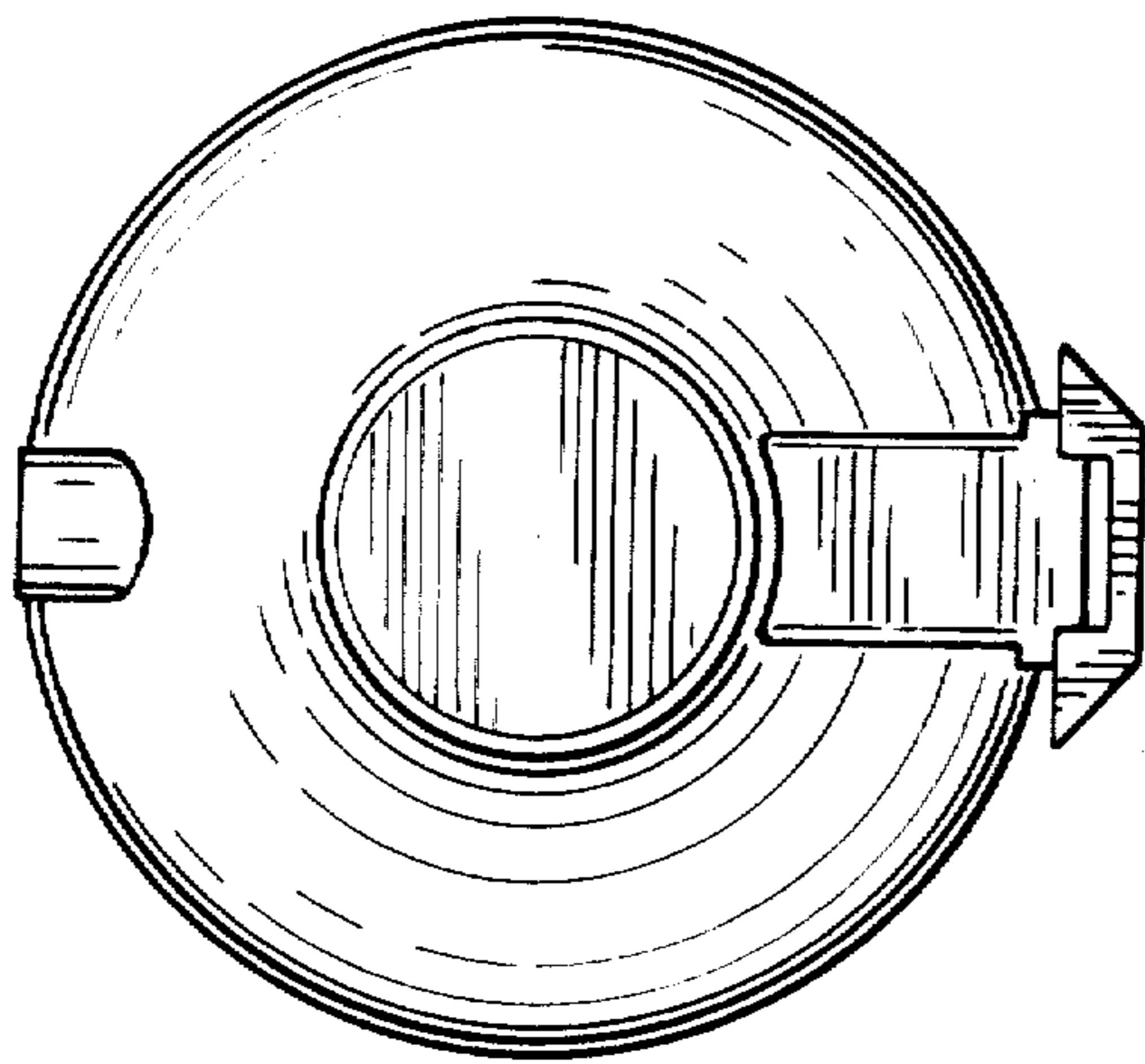


FIG. 4

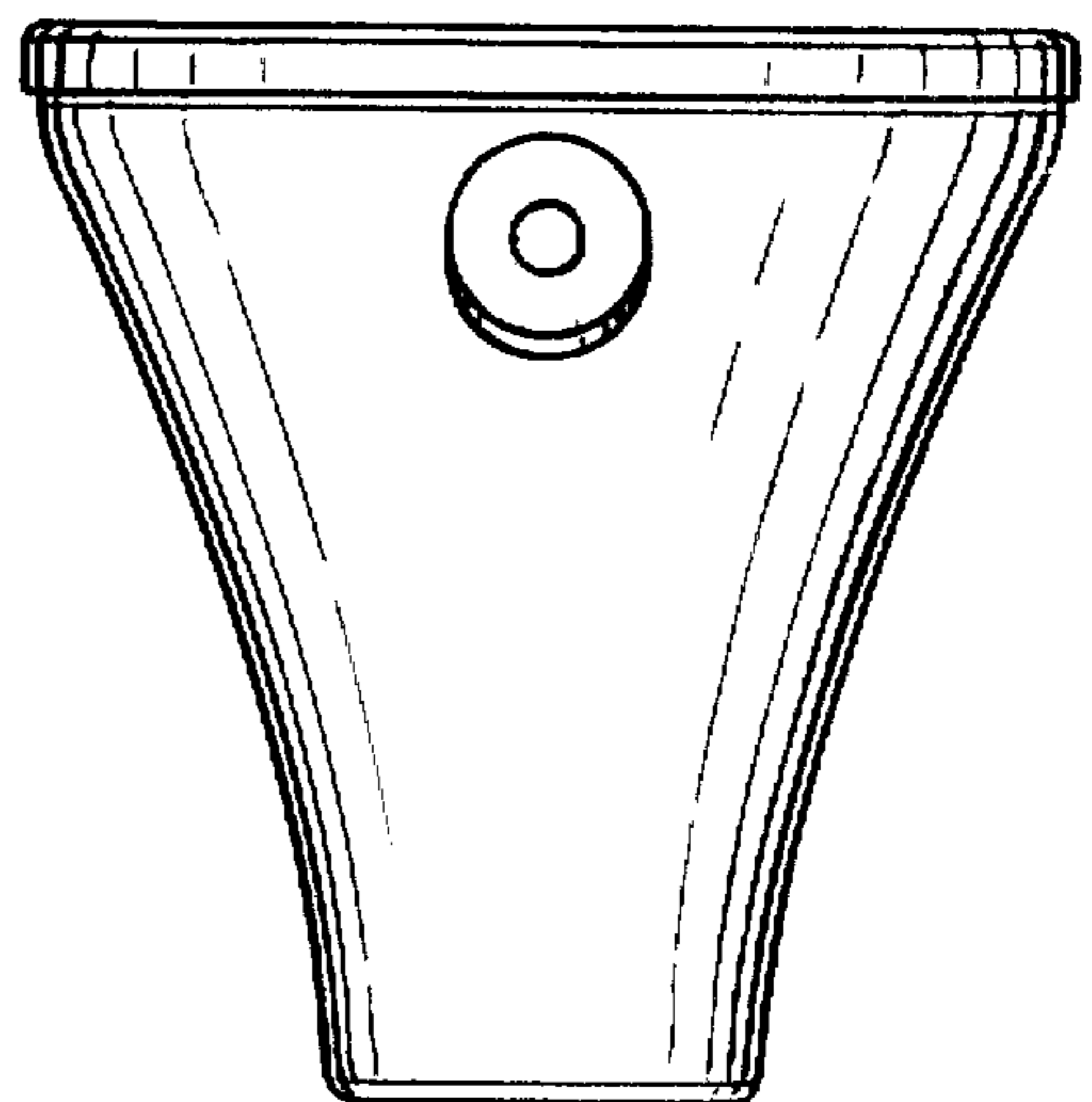


FIG. 5