

[54] COMBINED KEY HOLDER AND LIGHT

[75] Inventor: Santino D. Meo, Oakland, Calif.

[73] Assignee: Tri Delta Industries, Inc., Hayward, Calif.

[**] Term: 3 1/2 Years

[21] Appl. No.: 107,909

[22] Filed: Dec. 28, 1979

[51] Int. Cl. D3-01

[52] U.S. Cl. D3/63; D26/38

[58] Field of Search D3/61-64; D26/38; 70/456 R; 150/40; 362/116

[56] References Cited

U.S. PATENT DOCUMENTS

D. 152,386	1/1949	Zelenka	D3/63
D. 205,451	8/1966	Schwartz	D3/63
1,924,134	8/1933	Segal	70/456 R
2,210,048	8/1940	Swanson	70/456 R

2,547,816	4/1951	Duncan	70/456 R
3,421,349	1/1969	St Clair, Jr.	70/456 R

Primary Examiner—George P. Word
Attorney, Agent, or Firm—Manfred M. Warren; Robert B. Chickering; Glen R. Grunewald

[57] CLAIM

The ornamental design for a combined key holder and light, as shown and described.

DESCRIPTION

FIG. 1 is a perspective view of a combined key holder and light showing my new design, the dotted line showing of a key and chain being for illustrative purposes only;

FIG. 2 is a right side elevational view thereof;

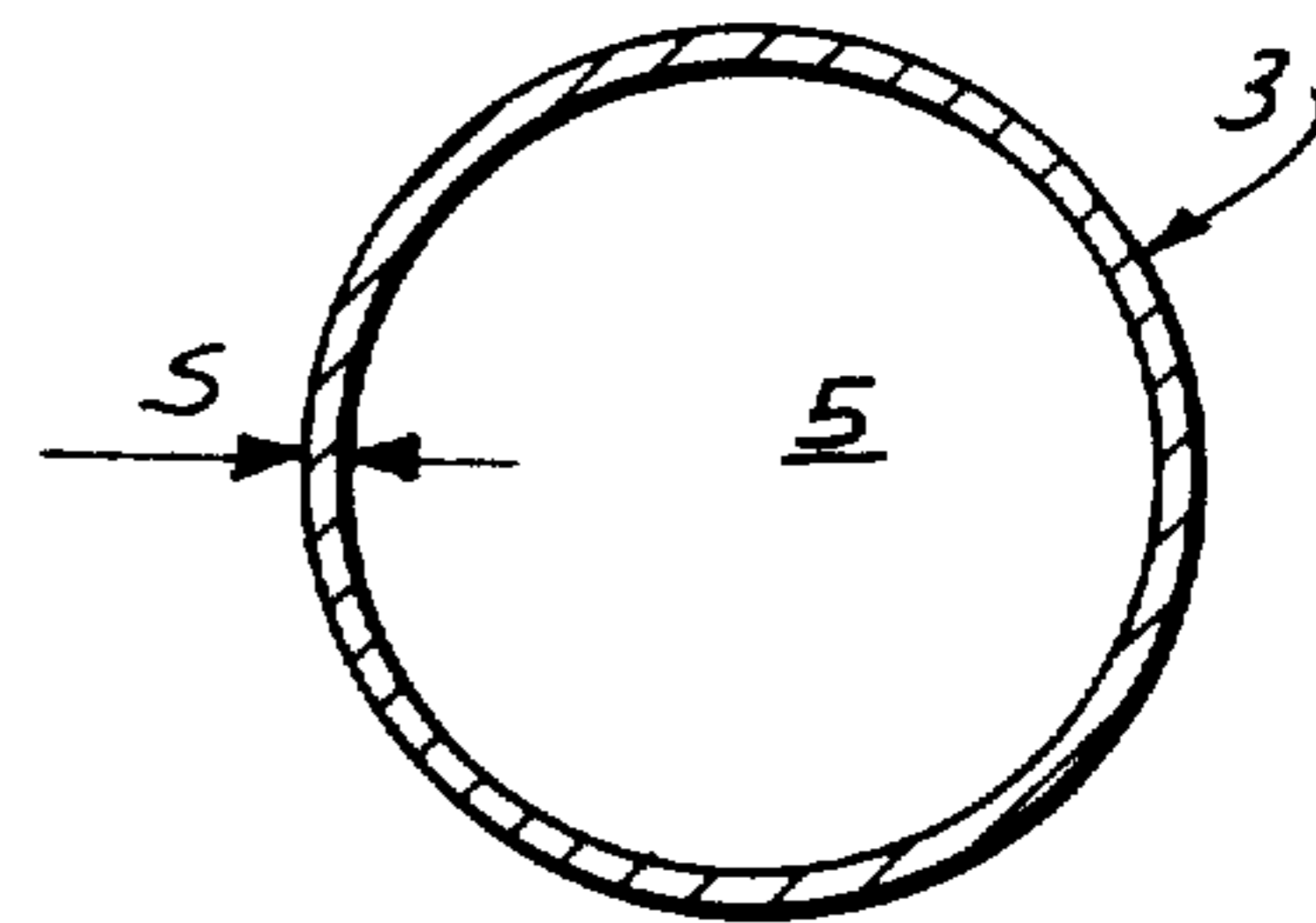
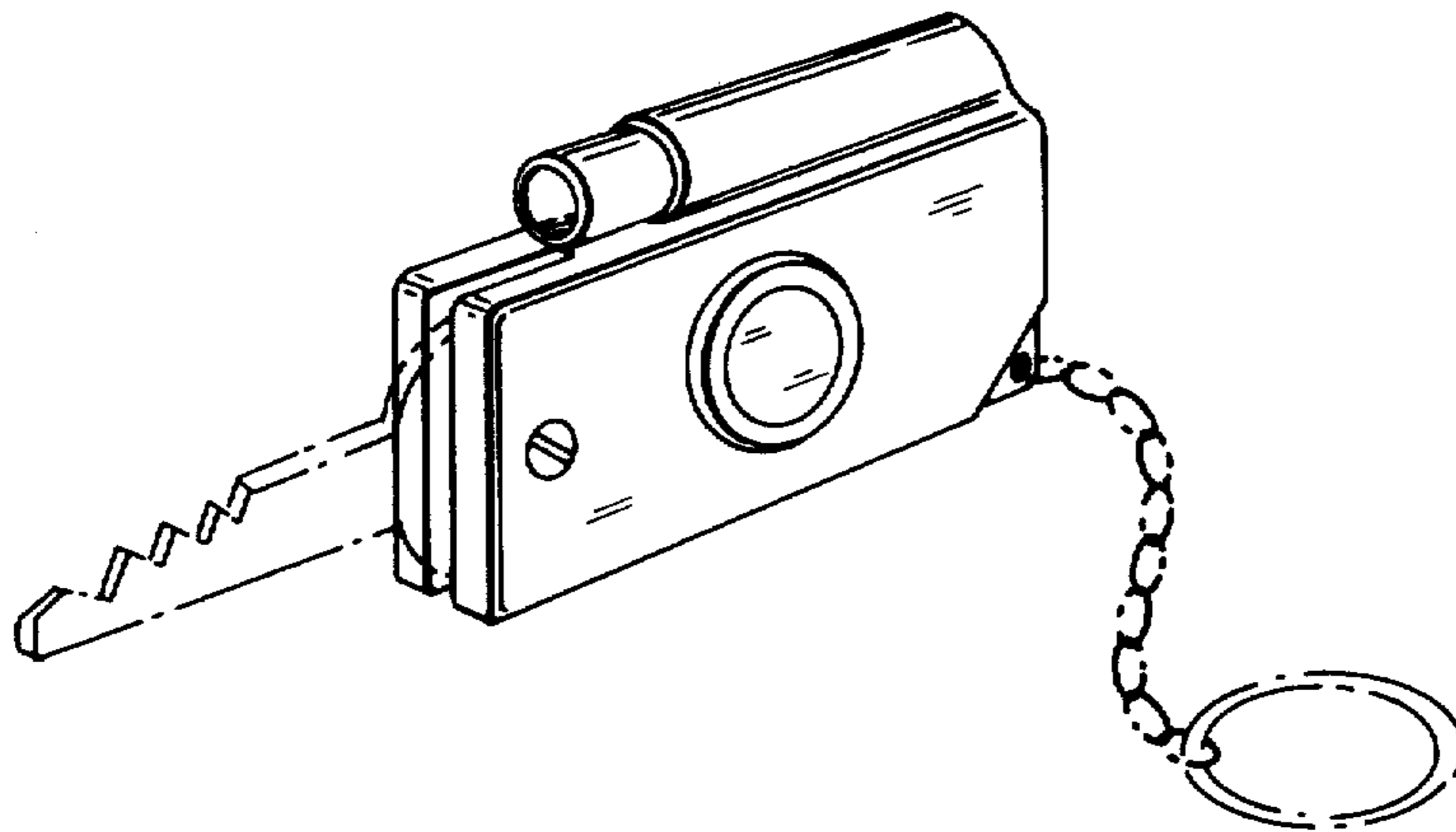
FIG. 3 is a left side elevational view;

FIG. 4 is a front elevational view;

FIG. 5 is a rear elevational view;

FIG. 6 is a bottom plan view; and

FIG. 7 is a top plan view.



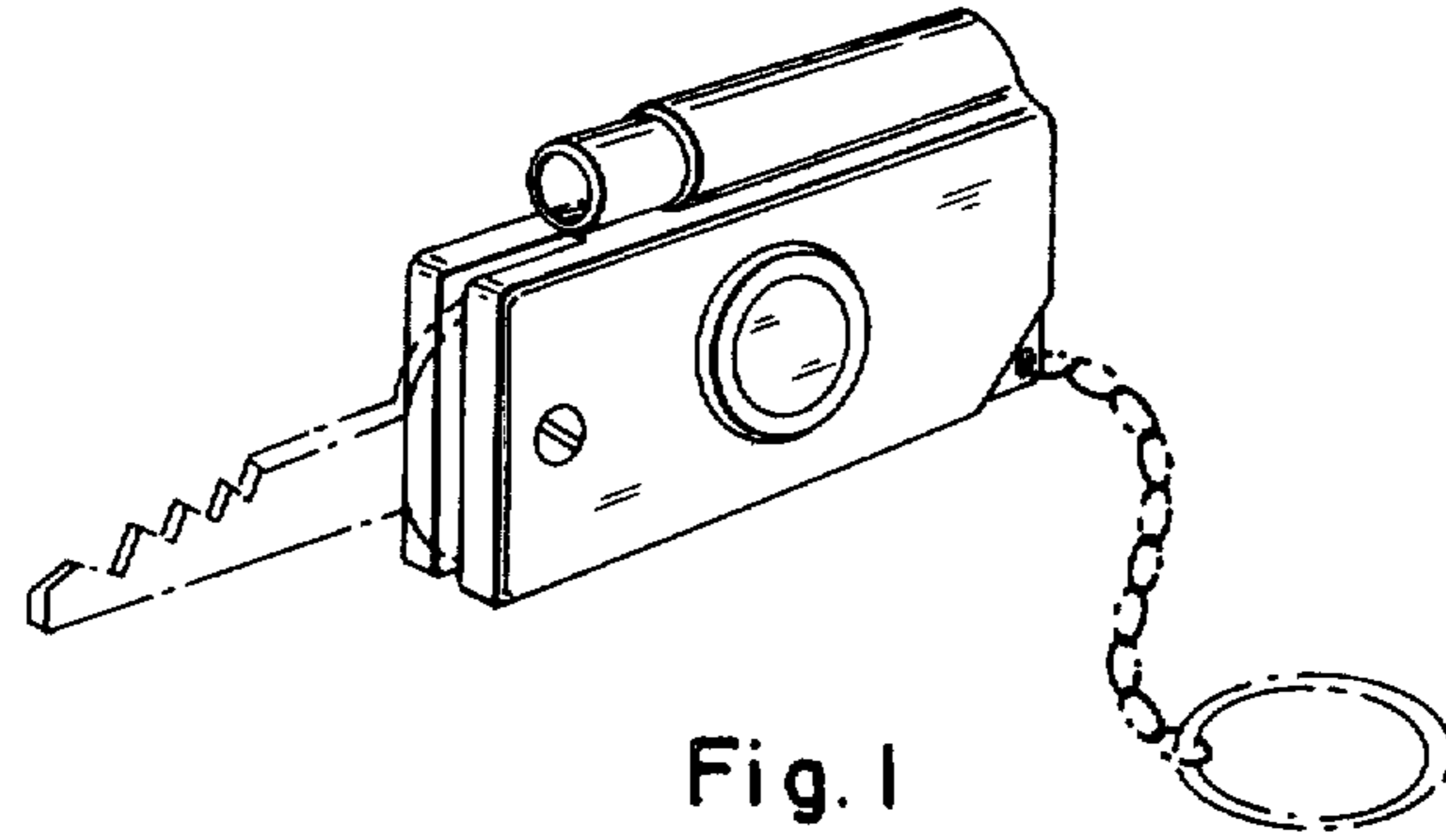


Fig. 1

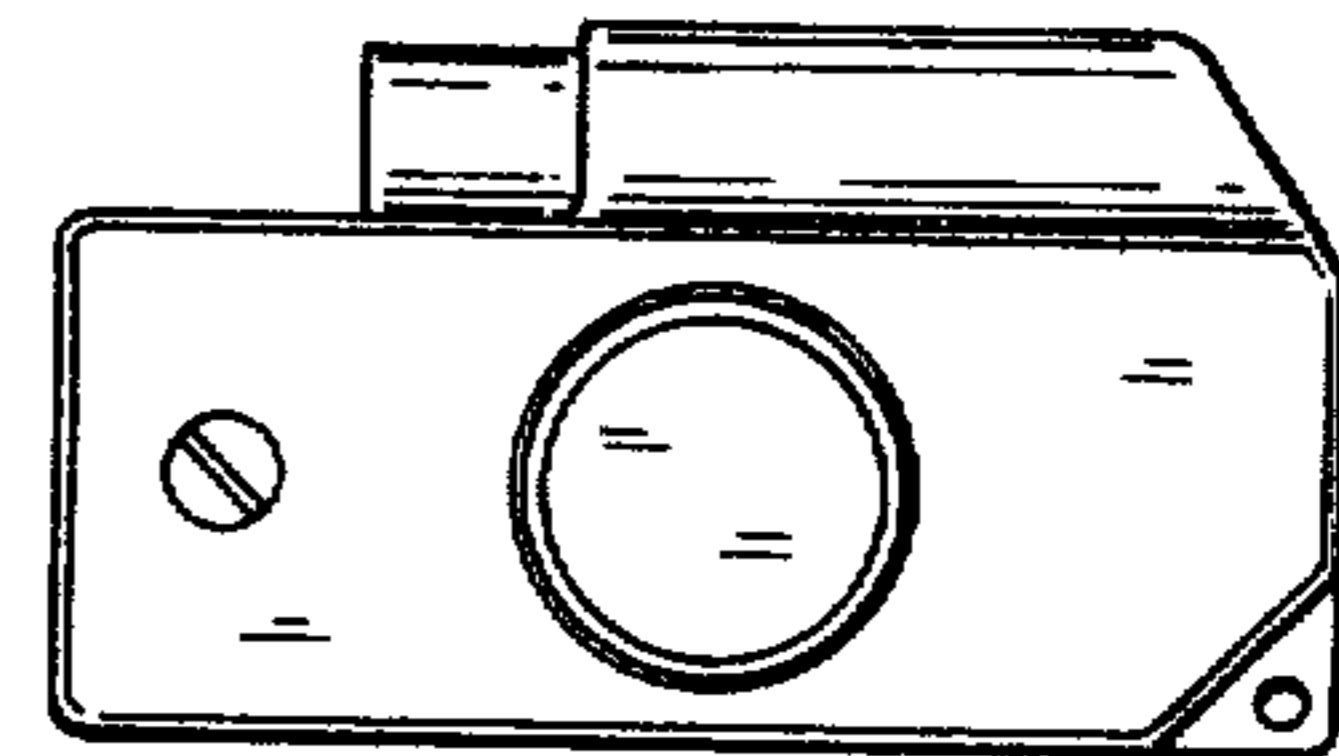


Fig. 2



Fig. 4



Fig. 5

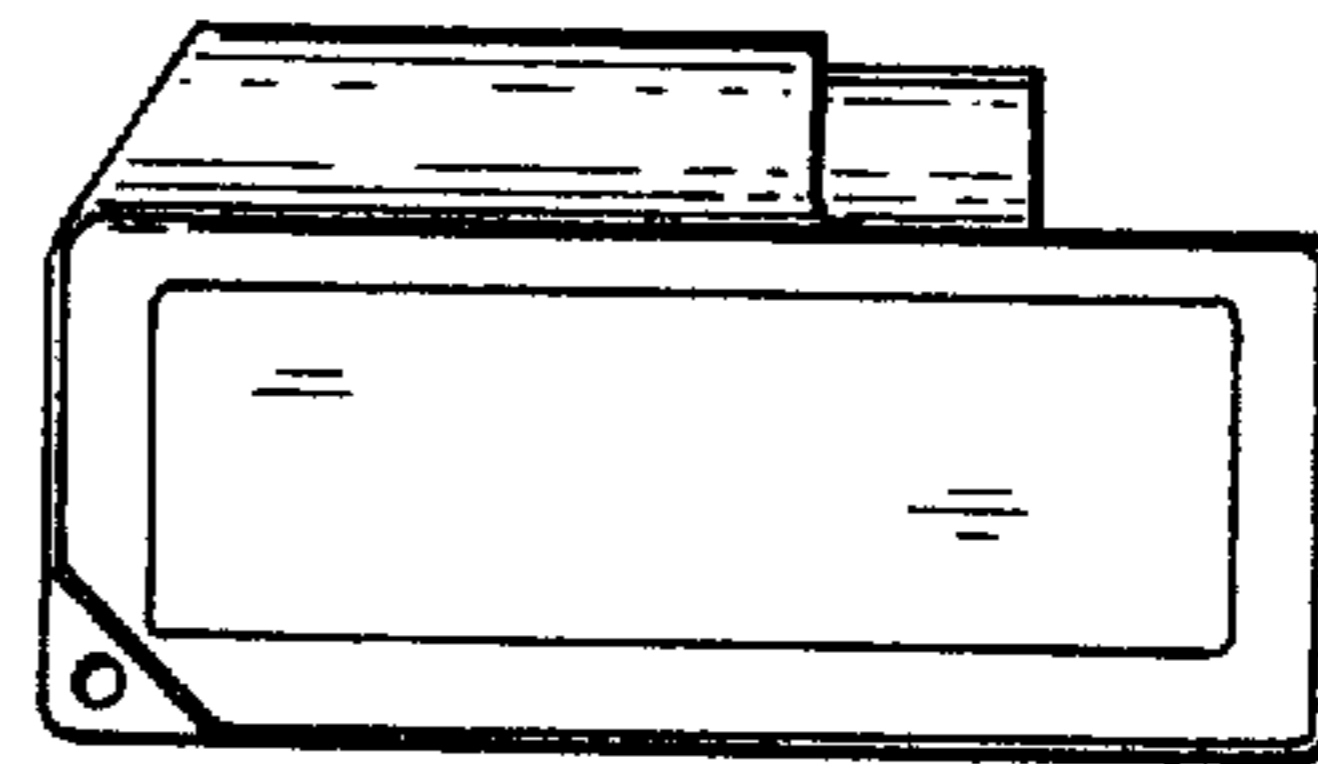


Fig. 3



Fig. 6



Fig. 7