

[54] INTRAVENOUS POLE ADAPTER FOR SUPPORT OF A SOLUTION CONTAINER

[75] Inventor: Ronald C. Stauber, Hawthorne Woods, Ill.

[73] Assignee: Baxter Travenol Laboratories, Inc., Deerfield, Ill.

[**] Term: 14 Years

[21] Appl. No.: 89,656

[22] Filed: Oct. 29, 1979

[51] Int. Cl. D24-02; D8-08

[52] U.S. Cl. D24/31; D24/29; D8/72

[58] Field of Search 248/226.4, 318; 24/243 B; D24/31, 29, 27, 99; 128/214 R, 214 B, 214 C, 214 D, DIG. 24, 348; D8/72

[56] References Cited

U.S. PATENT DOCUMENTS

- D. 226,541 3/1973 Pryor D24/31
- D. 235,486 6/1975 Van den Bergh D24/31

- D. 237,773 11/1975 Johnson D8/72
- D. 251,440 3/1979 Inoue D8/72 X
- 3,269,683 8/1966 Shinaver 248/318 X
- 3,923,279 12/1975 Gresley et al. 248/318
- 4,025,016 5/1977 Brothers 24/243 B

Primary Examiner—Bernard Ansher
Attorney, Agent, or Firm—Paul C. Flattery

[57] CLAIM

The ornamental design for an intravenous pole adapter for support of a solution container, as shown and described.

DESCRIPTION

FIG. 1 is a perspective view of the intravenous pole adapter of the present invention shown affixed to a phantom partial perspective view of a pole;
 FIG. 2 is a side view of the intravenous pole adapter of the present invention;
 FIG. 3 is a top view thereof;
 FIG. 4 is a side view thereof;
 FIG. 5 is a front view thereof.
 The broken lines are shown for illustrative purposes only.

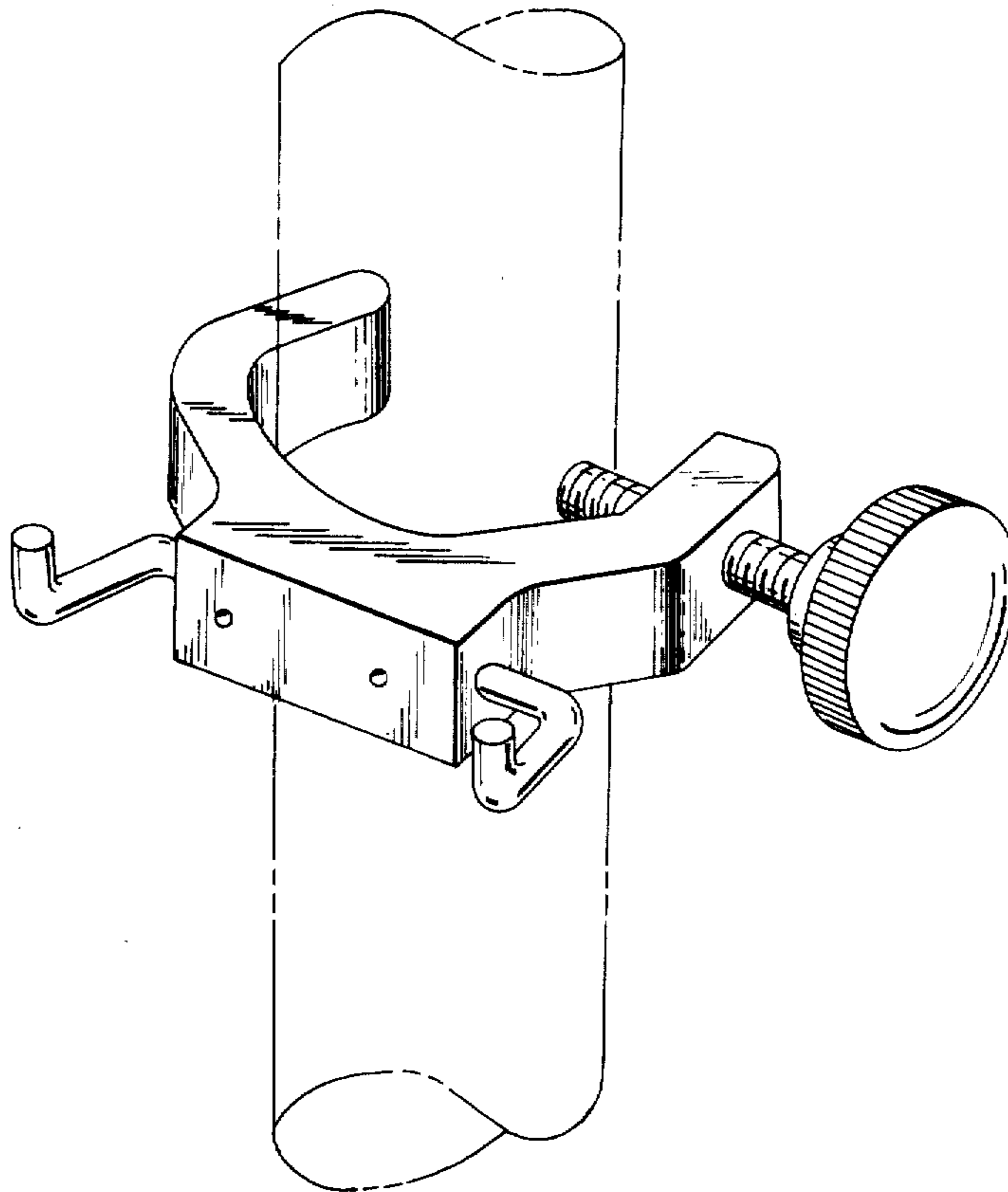


FIG. 1

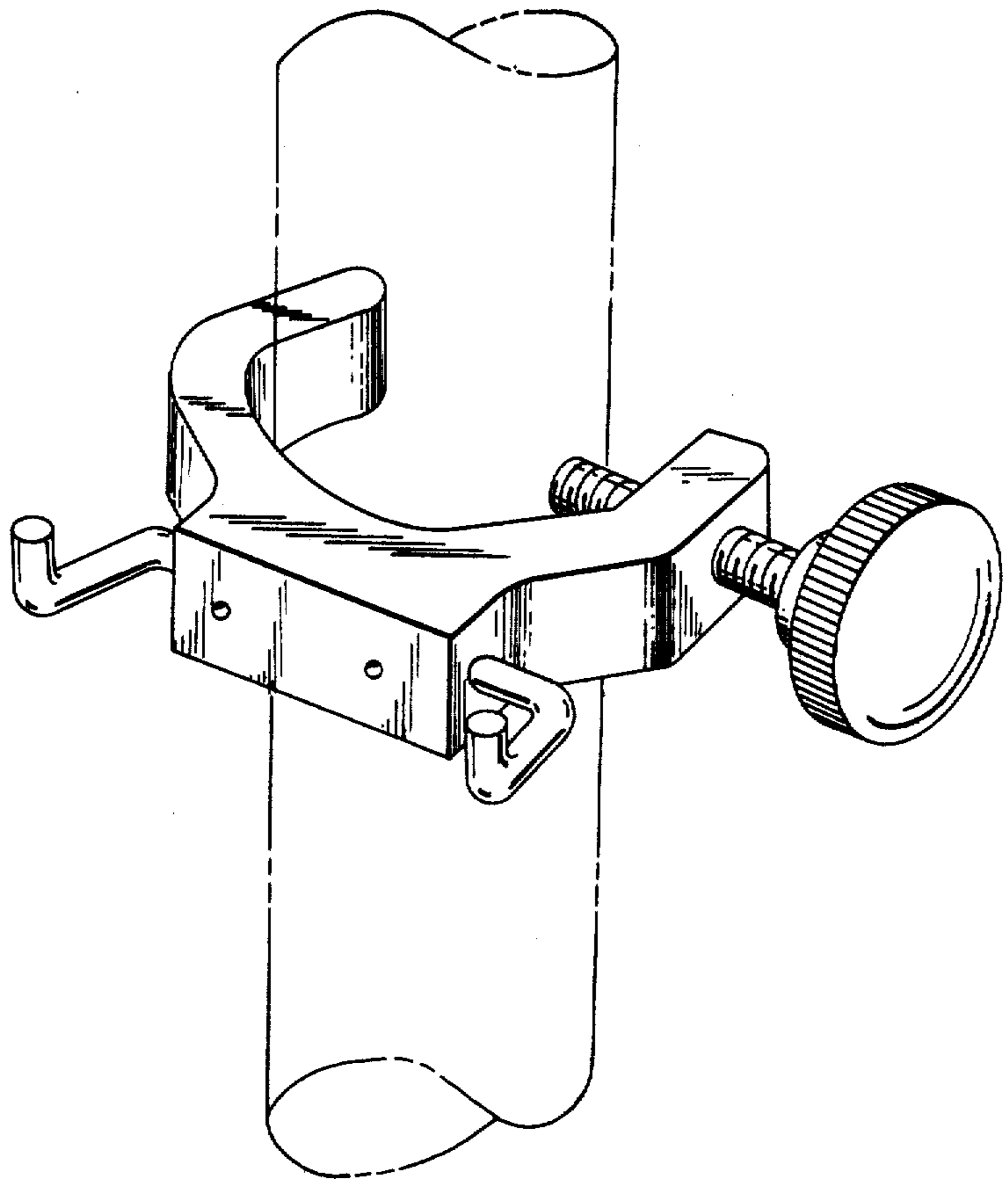


FIG. 2

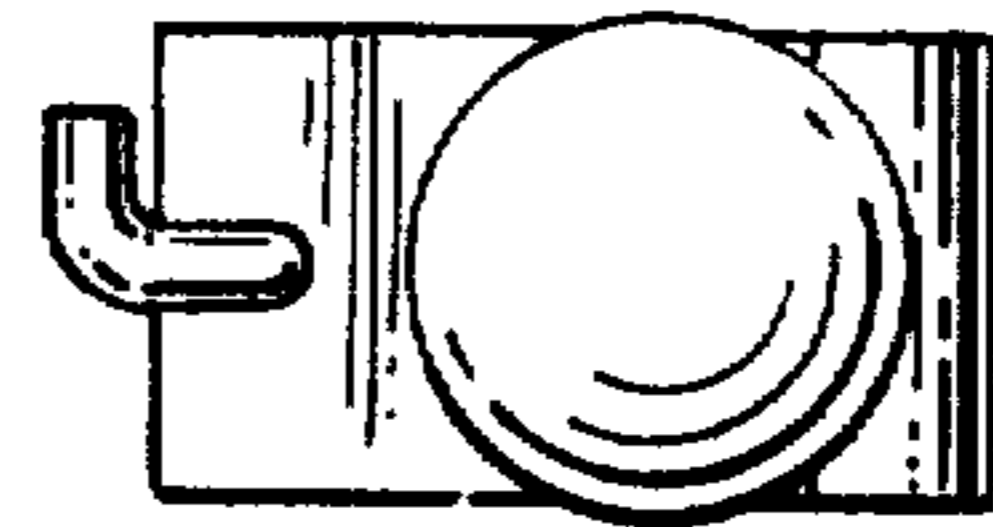


FIG. 4

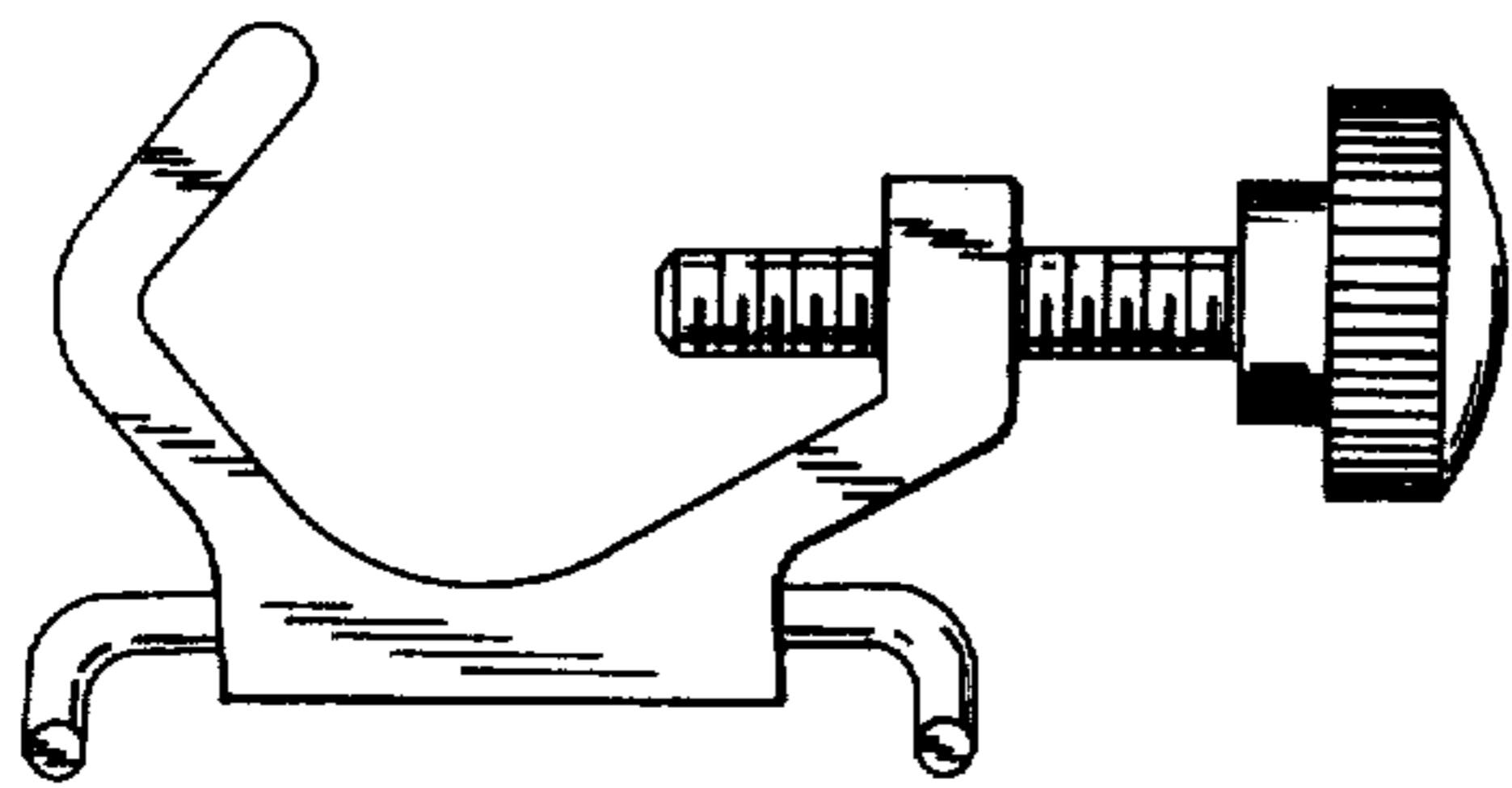


FIG. 3

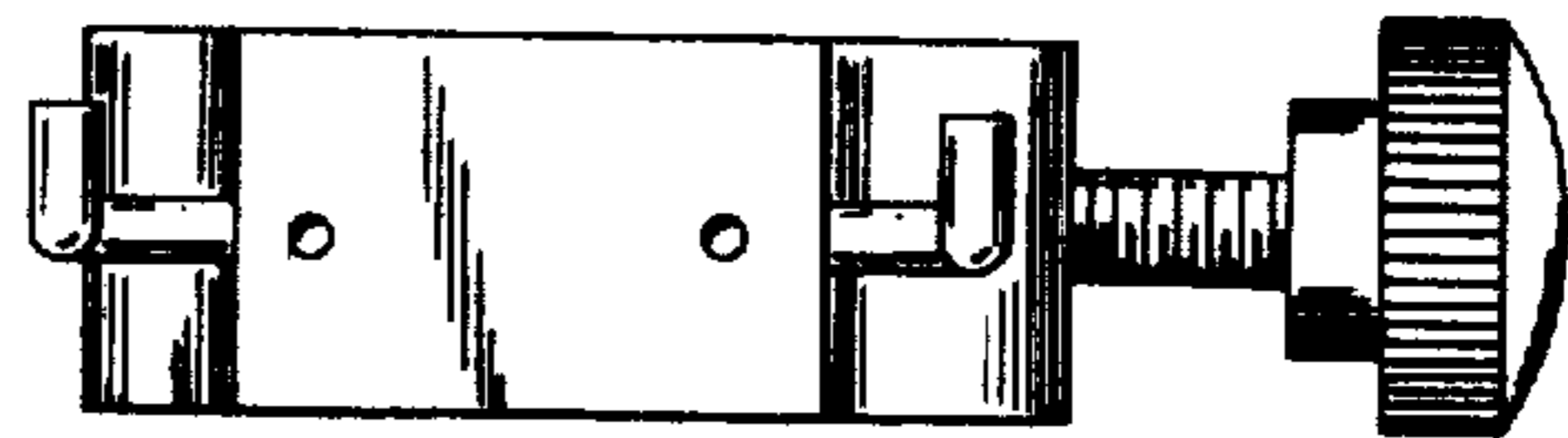


FIG. 5