

[54] EXERCISE TABLE

[76] Inventor: Lewis E. Dryden, 5827 Meadowick La., Dallas, Tex. 75227

[**] Term: 14 Years

[21] Appl. No.: 80,256

[22] Filed: Oct. 1, 1979

[51] Int. Cl. D21-02

[52] U.S. Cl. D21/191

[58] Field of Search D21/191, 192, 193, 195, D21/199; D6/144; 272/144, 145; D9/99

[56] References Cited

U.S. PATENT DOCUMENTS

D. 149,862	6/1948	Douglas	D6/144
D. 184,520	3/1959	Greenberg	D6/144
2,533,273	12/1950	MacGregor	272/144
3,545,748	12/1970	Delinger	272/134

Primary Examiner—Charles A. Rademaker
Attorney, Agent, or Firm—Charles W. McHugh

[57] CLAIM

The ornamental design for an exercise table, as shown and described.

DESCRIPTION

FIG. 1 is a front perspective view of an exercise table showing my new design;

FIG. 2 is a right side elevational view thereof showing the deck member in an alternate condition;

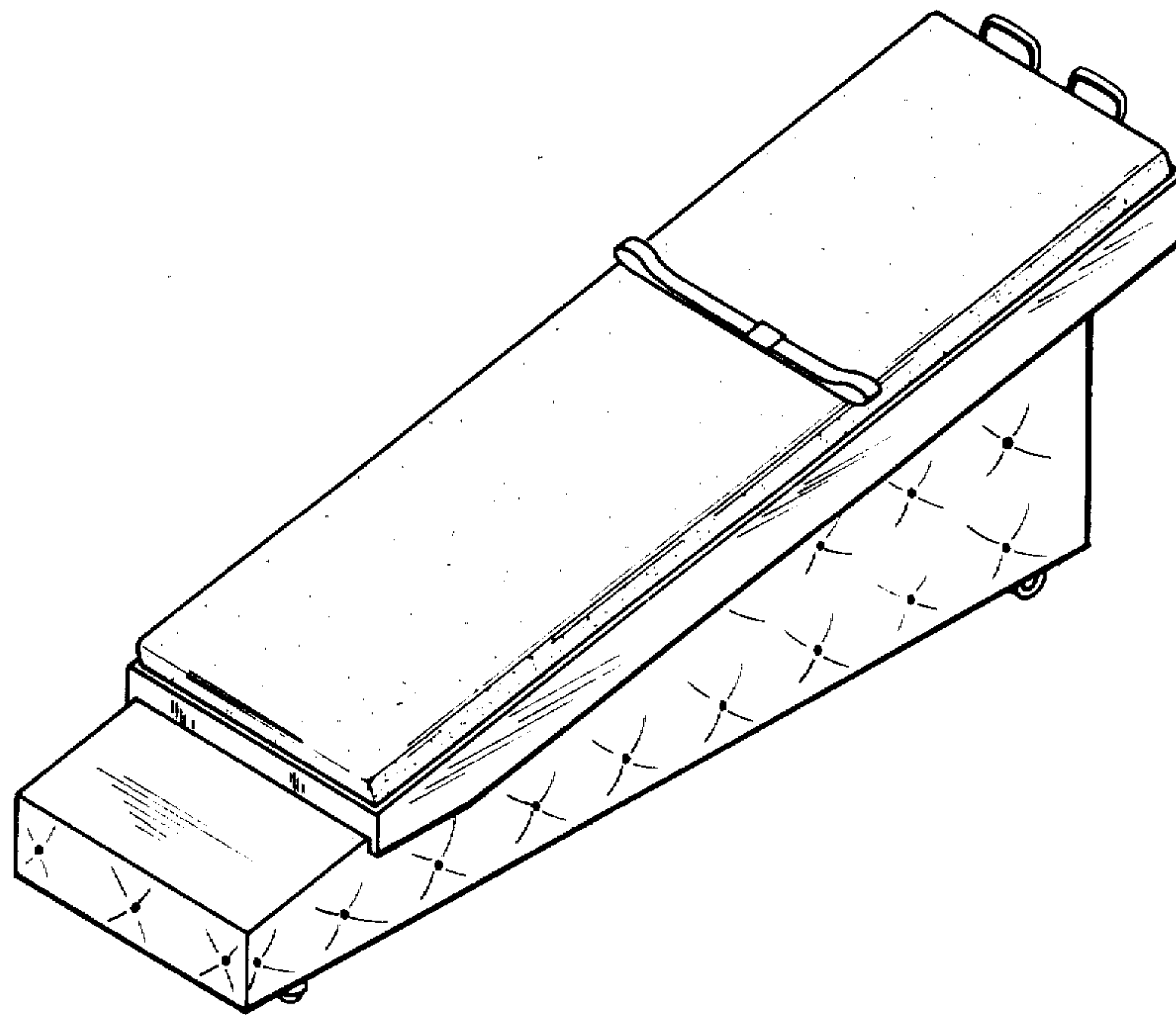
FIG. 3 is a left side elevational view thereof with the deck member positioned in the manner shown in FIG. 1;

FIG. 4 is a top plan view with respect to what is shown in FIG. 2;

FIG. 5 is a front elevational view thereof;

FIG. 6 is a bottom plan view thereof; and,

FIG. 7 is a rear elevational view thereof.



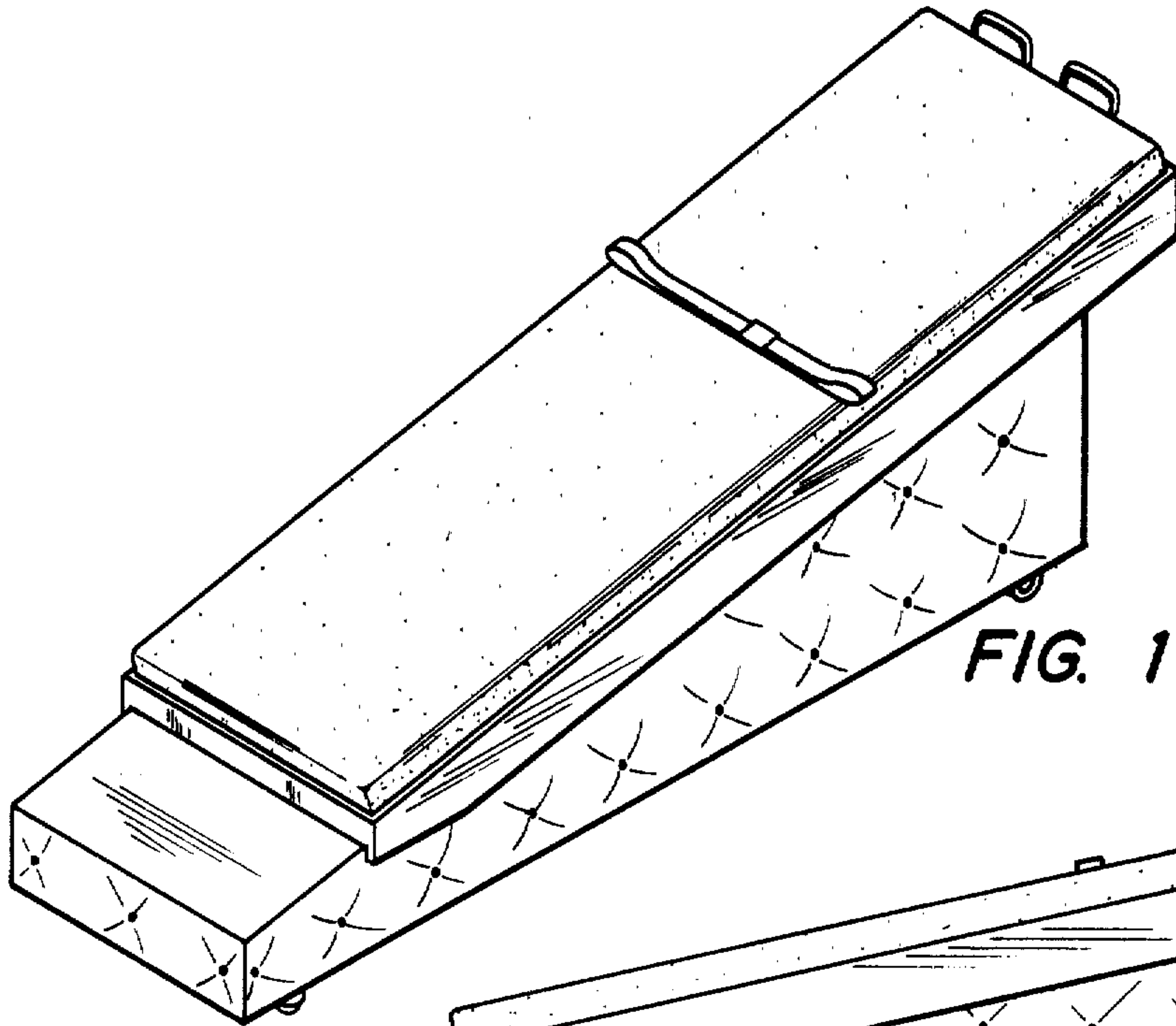


FIG. 1

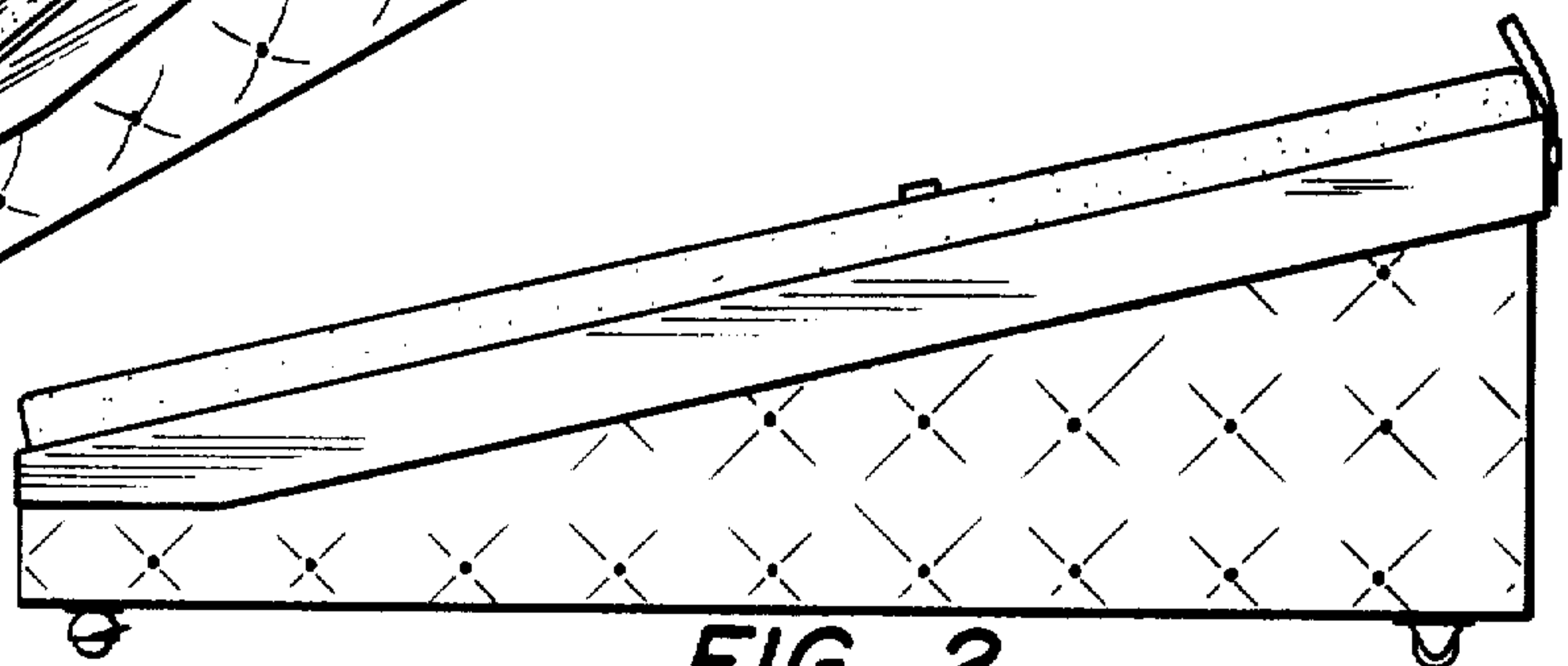


FIG. 2

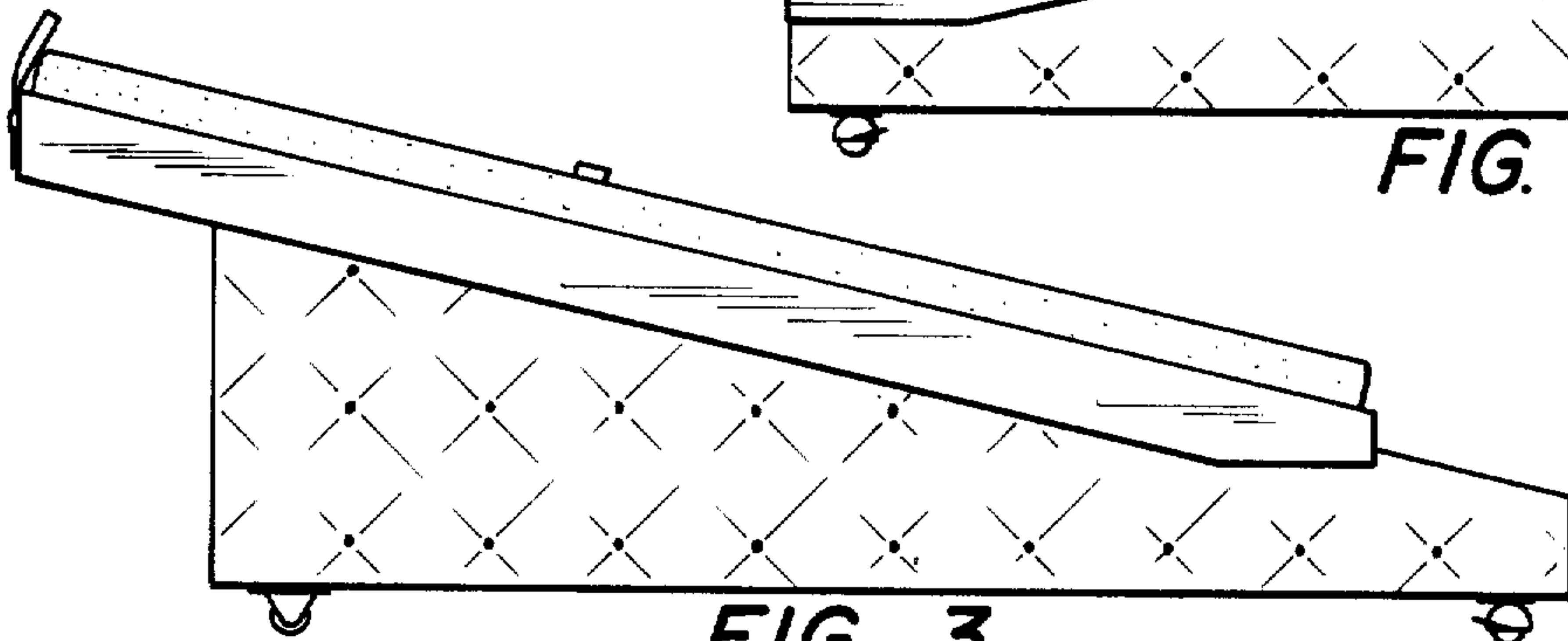


FIG. 3

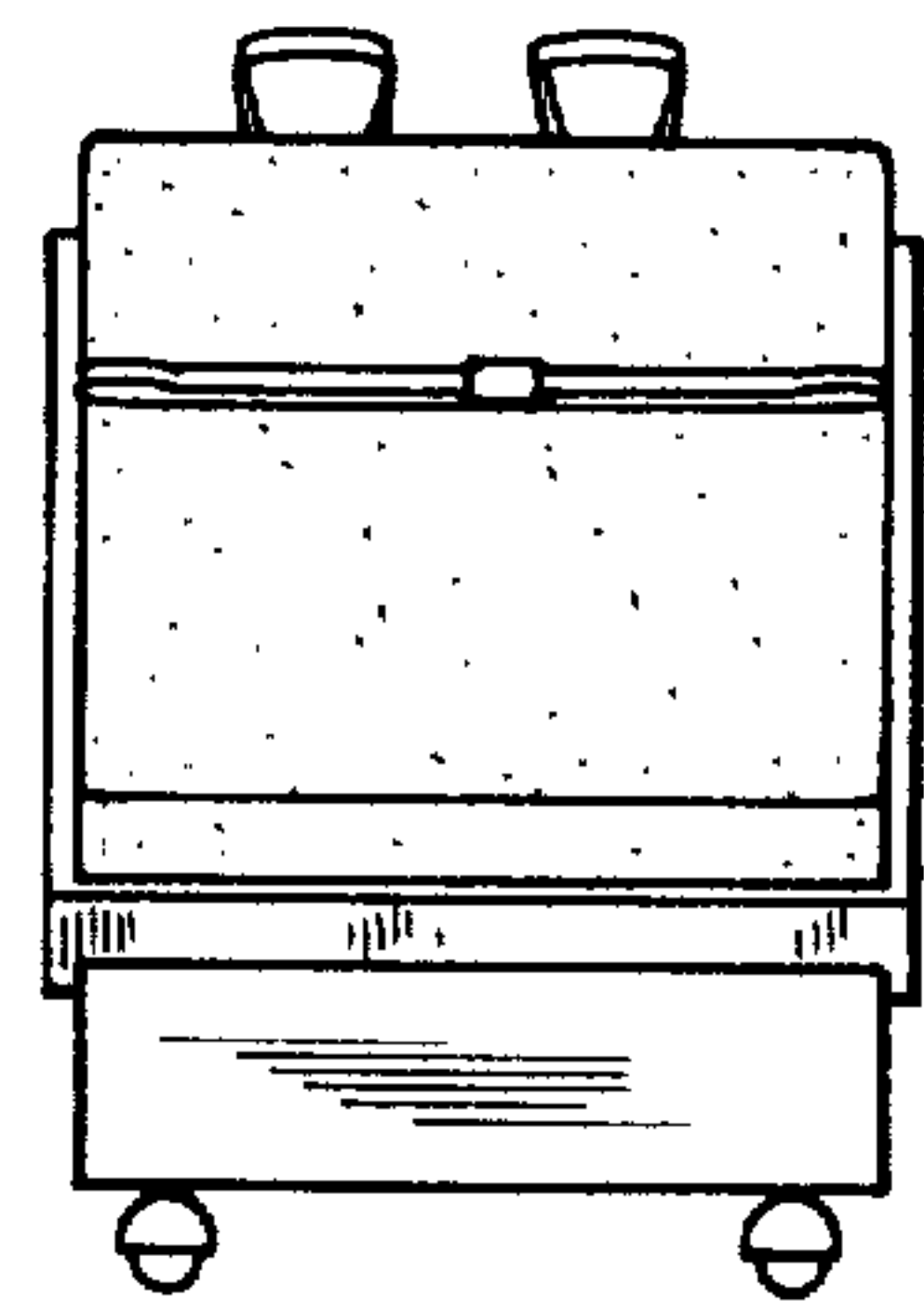


FIG. 5

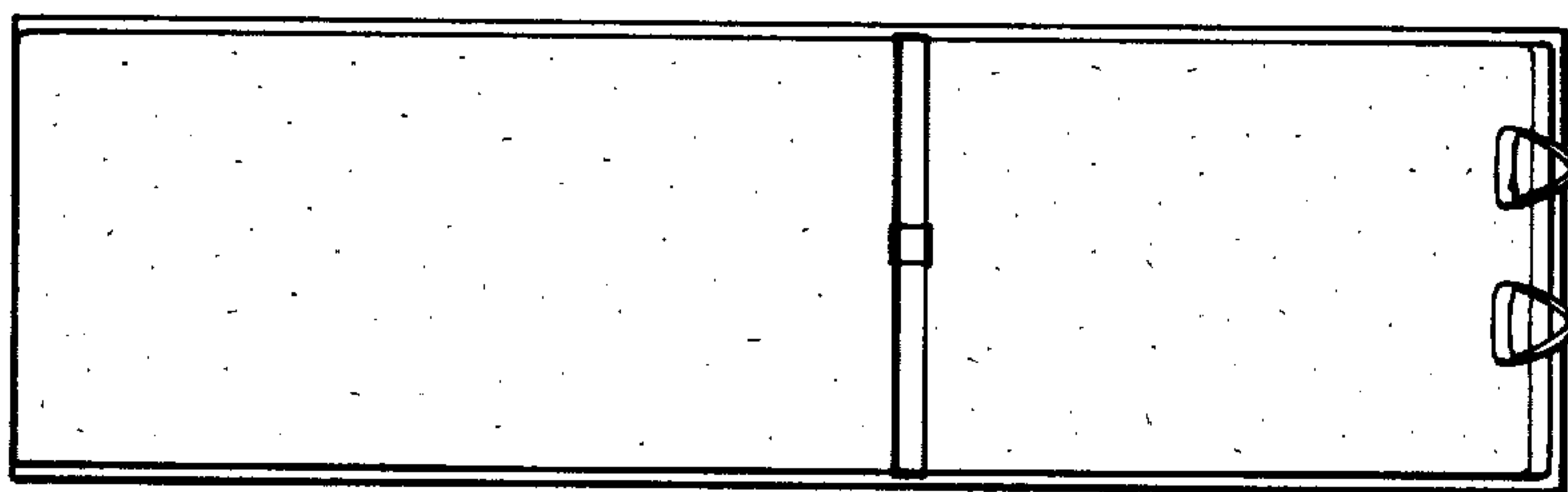


FIG. 4

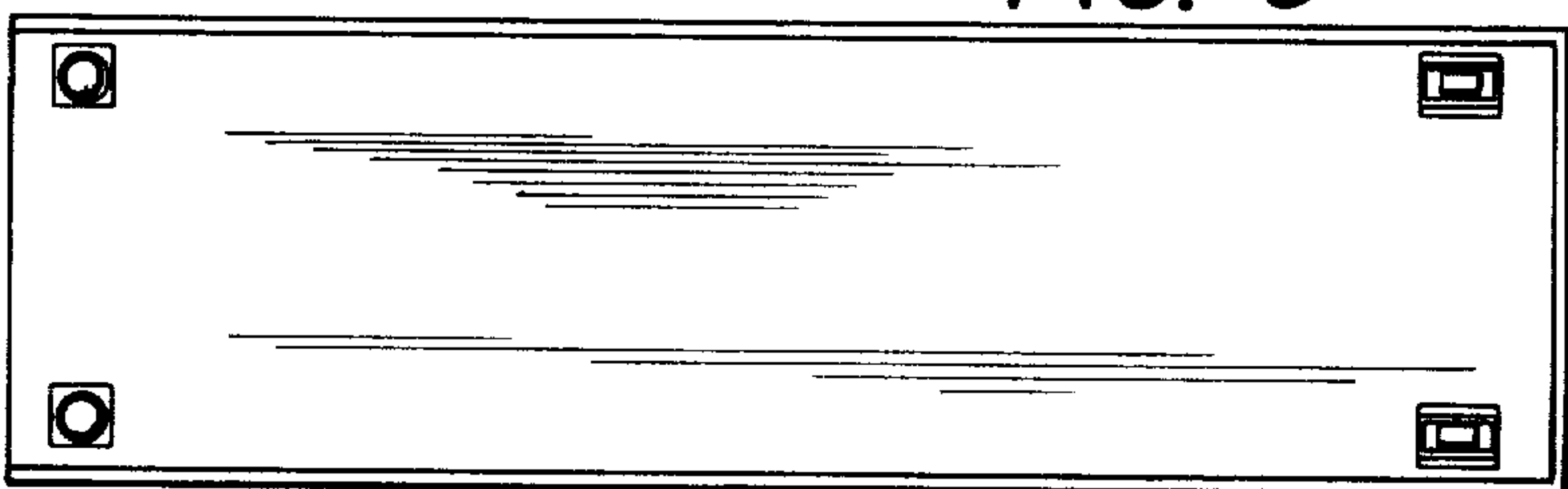


FIG. 6

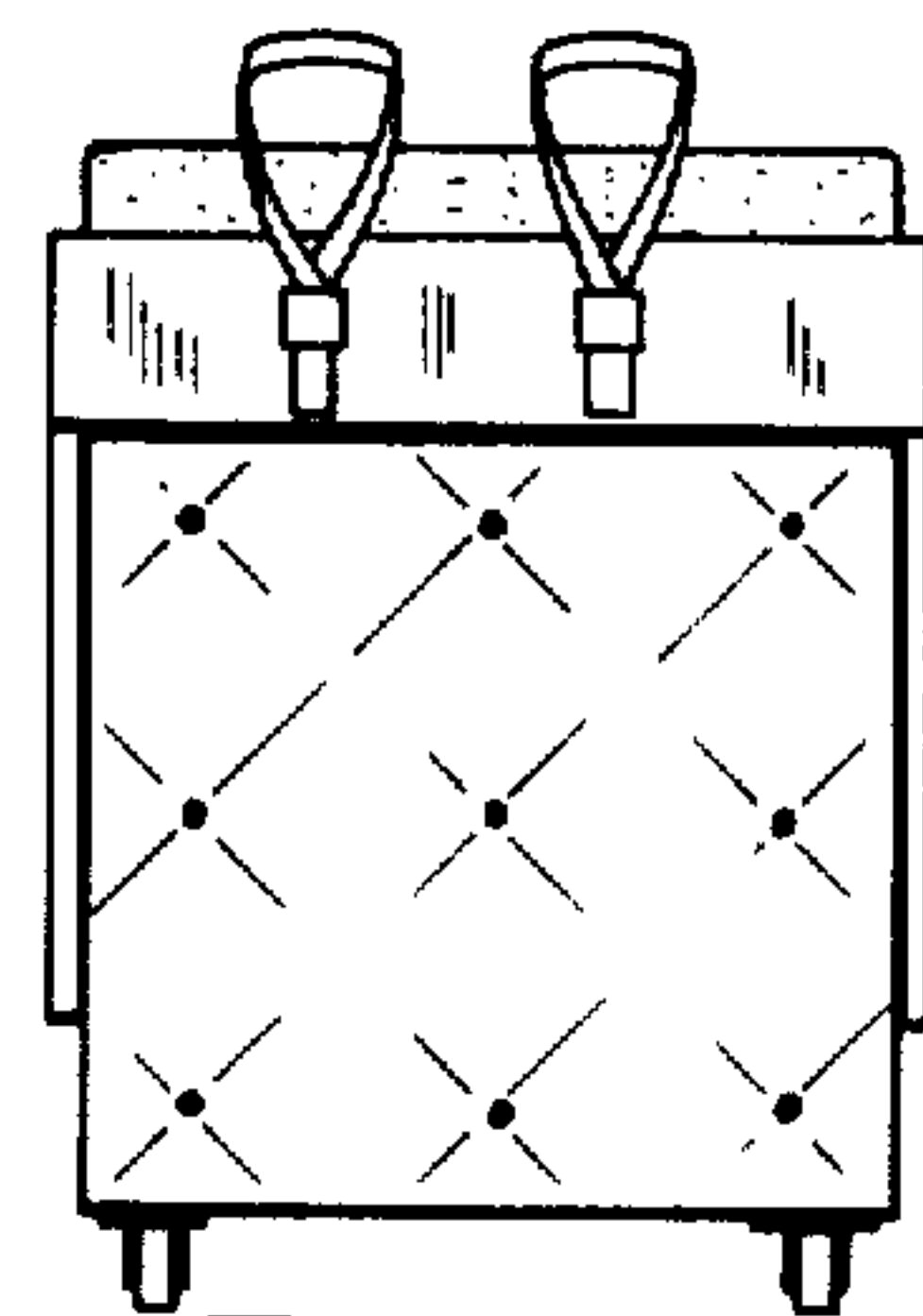


FIG. 7