

[54] **SPECTACLE SHIELD**

[76] Inventor: **Walter S. Badger**, 165, Pantmawr Rd., Rhiwbina, Cardiff, South Glamorganshire, Wales

[\*\*] Term: **14 Years**

[21] Appl. No.: **14,297**

[22] Filed: **Feb. 23, 1979**

[30] **Foreign Application Priority Data**

Jun. 22, 1977 [GB] United Kingdom ..... 26205/77  
Aug. 26, 1978 [GB] United Kingdom ..... 986127/78

[51] Int. Cl. .... **D16—06; D2—03**

[52] U.S. Cl. .... **D16/123; D2/234; D16/110**

[58] Field of Search ..... **D16/75, 78, 79; D2/234; 2/12, 13, 431, 432, 438; 351/44, 47**

[56] **References Cited**

**U.S. PATENT DOCUMENTS**

D. 172,120 5/1954 Zuckerman ..... D16/75  
2,441,659 5/1948 Chalmers ..... 2/12  
2,541,242 2/1951 Grove ..... 2/13

**FOREIGN PATENT DOCUMENTS**

290771 5/1928 United Kingdom ..... 2/12  
684715 12/1952 United Kingdom ..... 2/13

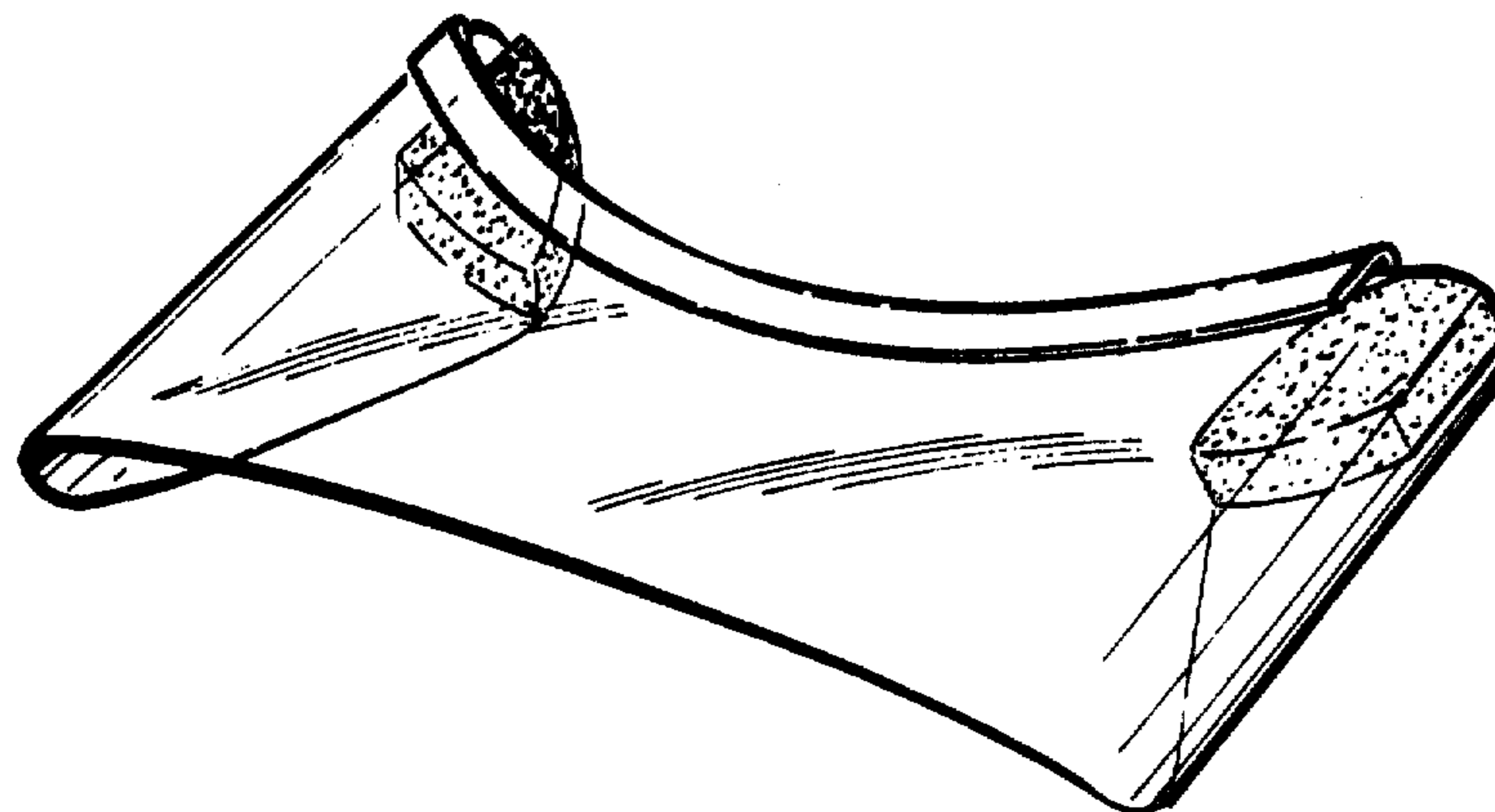
*Primary Examiner*—Susan J. Lucas  
*Attorney, Agent, or Firm*—Andrus, Scales, Starke & Sawall

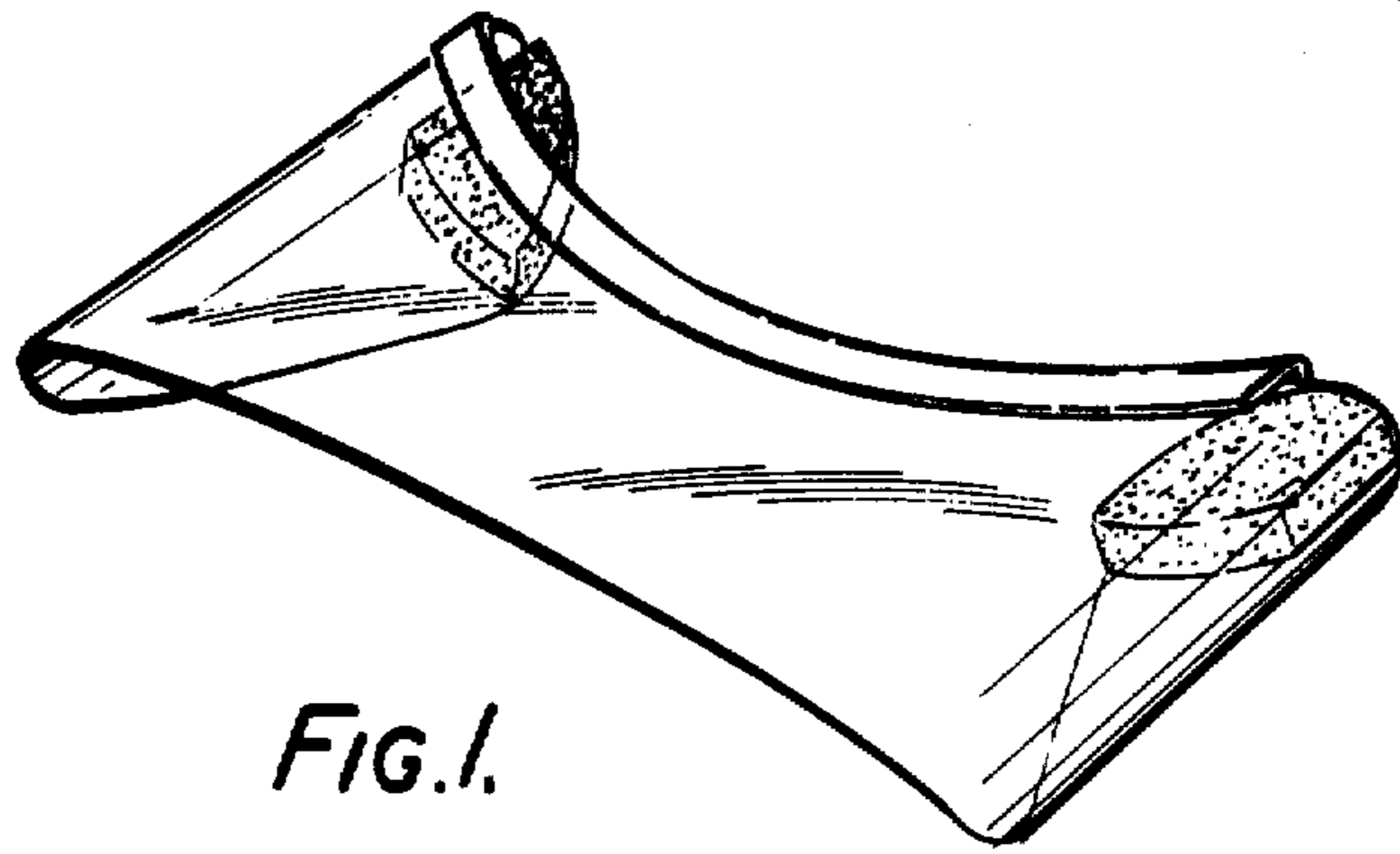
[57] **CLAIM**

The ornamental design for a spectacle shield, as shown and described.

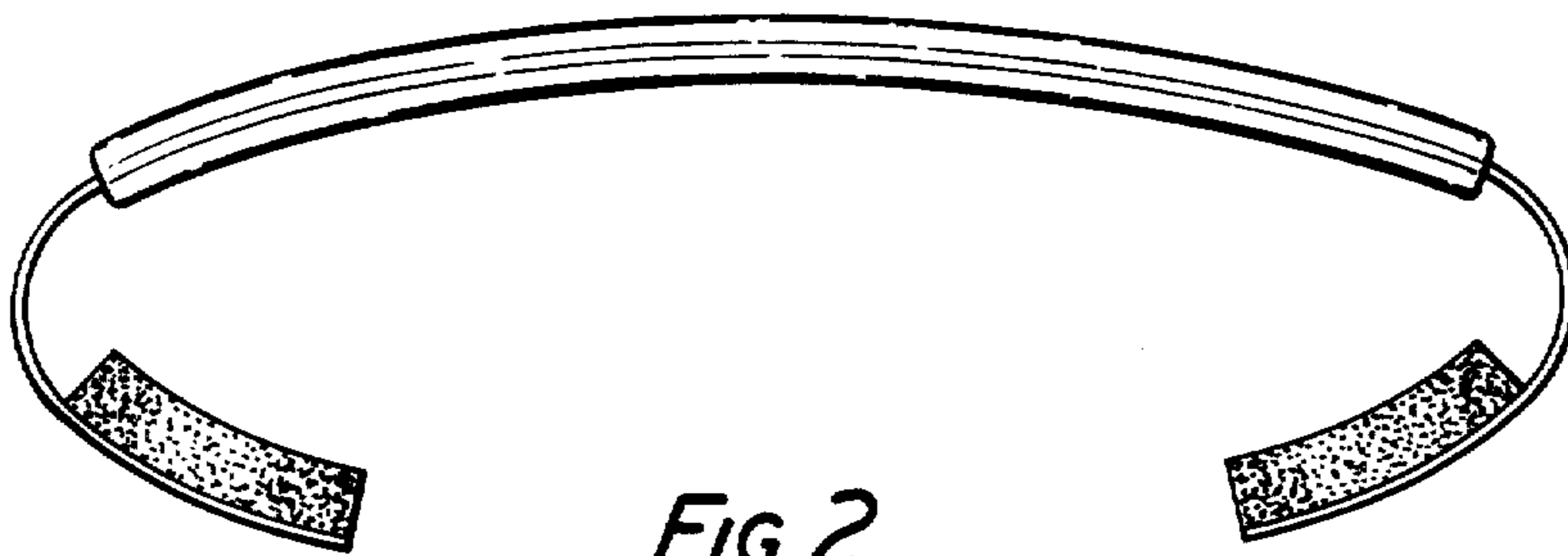
**DESCRIPTION**

FIG. 1 is a front perspective view of a spectacle shield showing my new design;  
FIG. 2 is a rear elevational view thereof on an enlarged scale;  
FIG. 3 is a bottom plan view thereof on an enlarged scale;  
FIG. 4 is a front elevational view thereof on an enlarged scale;  
FIG. 5 is a top plan view thereof on an enlarged scale; and  
FIG. 6 is a side elevational view thereof on an enlarged scale.

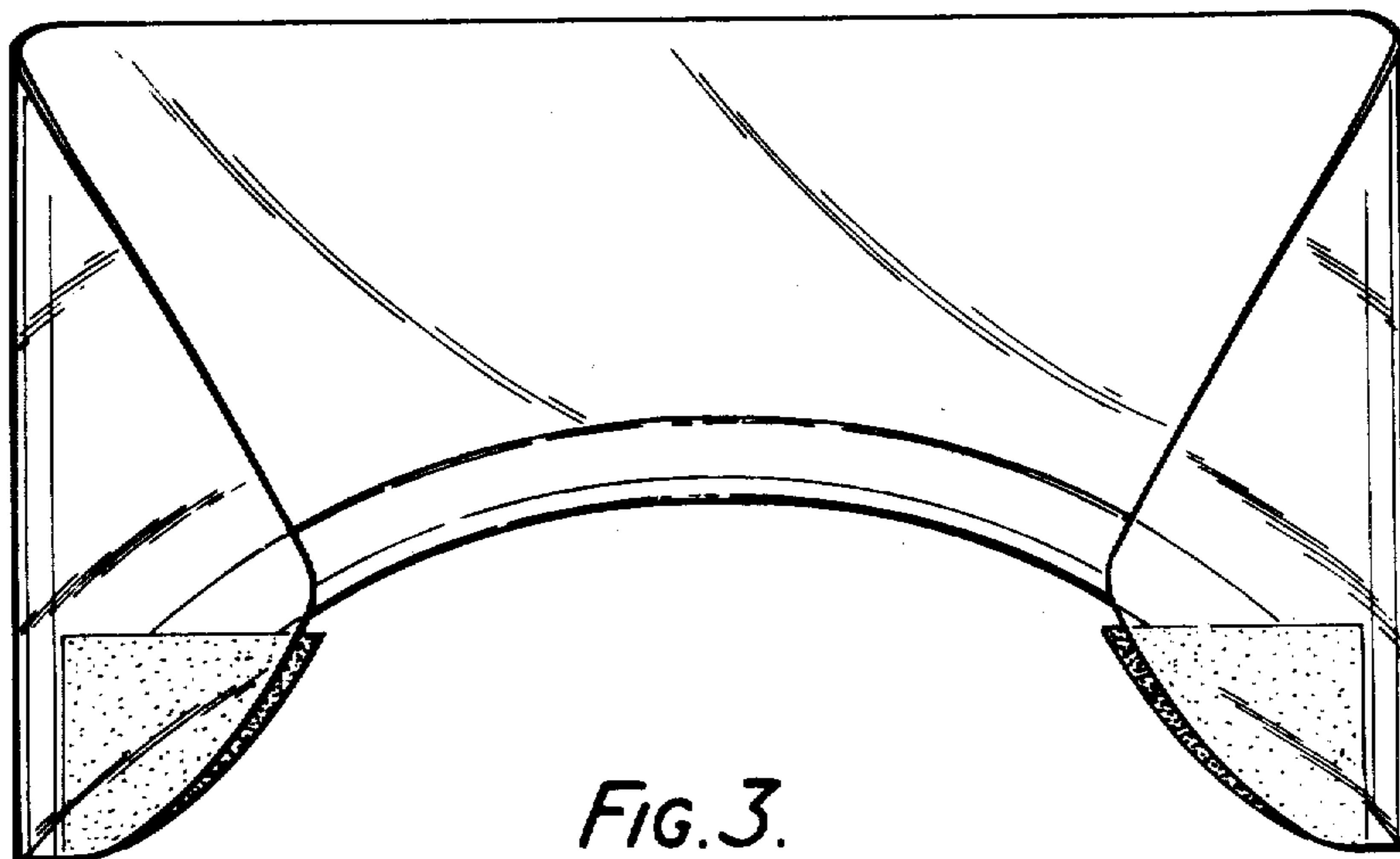




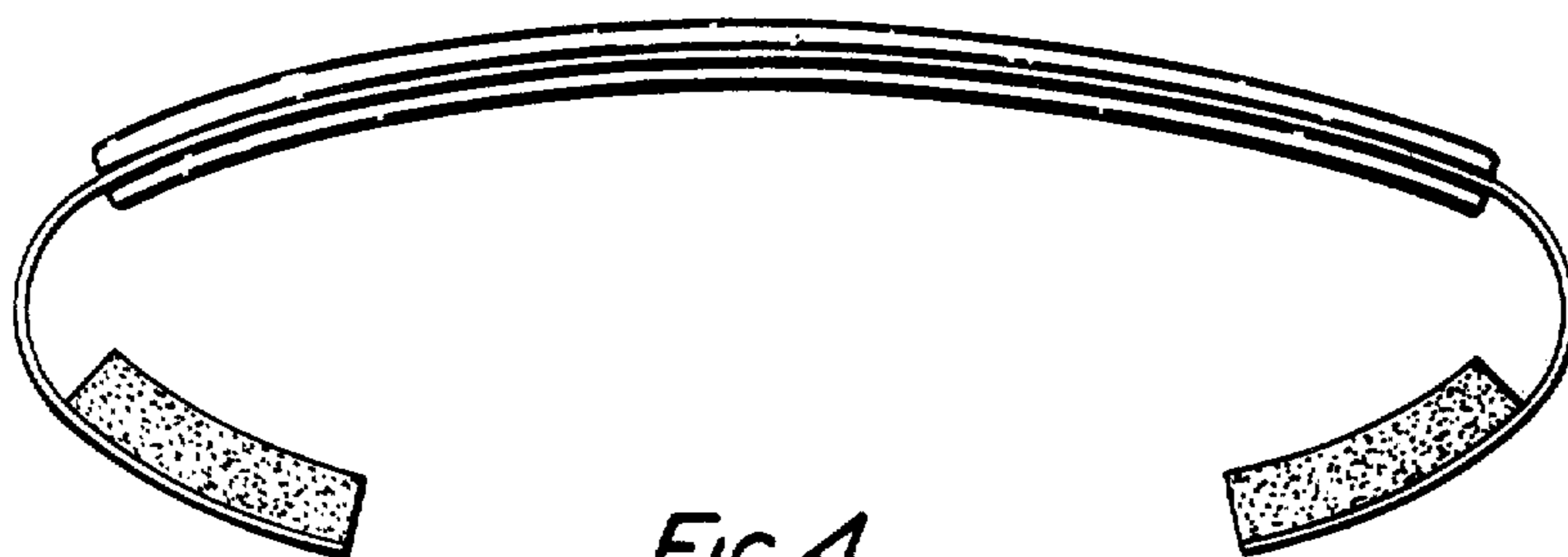
*FIG. 1.*



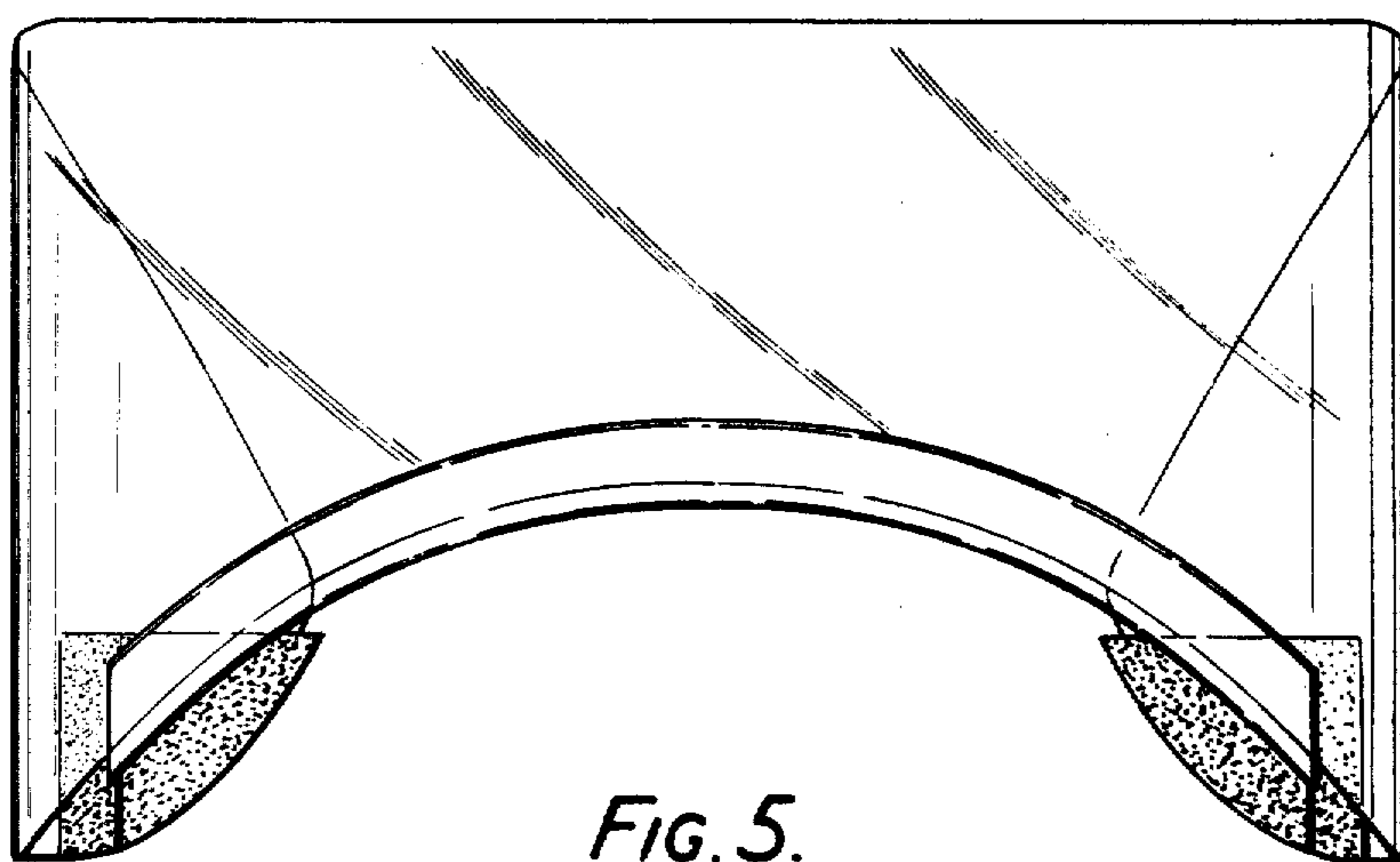
*FIG. 2.*



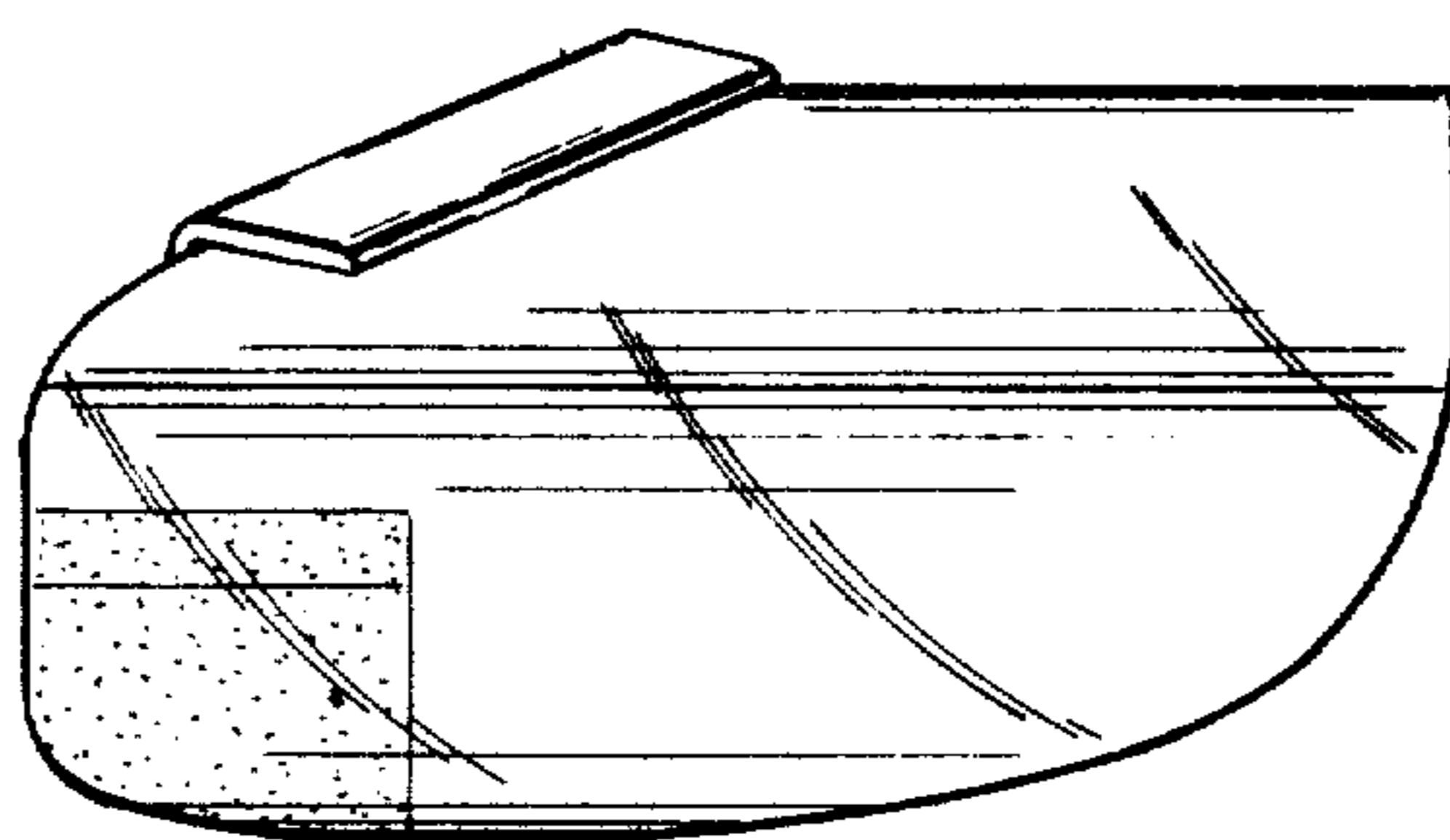
*FIG. 3.*



*FIG. 4.*



*FIG. 5.*



*FIG. 6.*