

[54] CUTTING BIT

[76] Inventor: Will M. Lassiter, 1703 Deep River Rd., High Point, N.C. 27260

[**] Term: 14 Years

[21] Appl. No.: 911,739

[22] Filed: Jun. 2, 1978

[51] Int. Cl. D15-09

[52] U.S. Cl. D15/139

[58] Field of Search D15/127, 130, 131, 132, D15/139; 407/30, 33, 54, 55, 57, 60-62, 113, 114, 117; 408/72 R, 79, 115 R, 204, 207; 144/193 R, 193 D, 193 G, 219, 240-241

[56] References Cited

U.S. PATENT DOCUMENTS

D. 246,524 11/1977 Lauber D15/139

395,285	12/1888	Manning	144/219
1,063,995	6/1913	Mintz	407/54
1,409,258	3/1922	Stenger	144/219
1,702,812	2/1929	Cochran	407/57
3,344,497	10/1967	Osborne	144/219
4,145,159	3/1979	Yamada et al.	144/219

Primary Examiner—B. J. Bullock

[57] CLAIM

The ornamental design for a cutting bit, as shown.

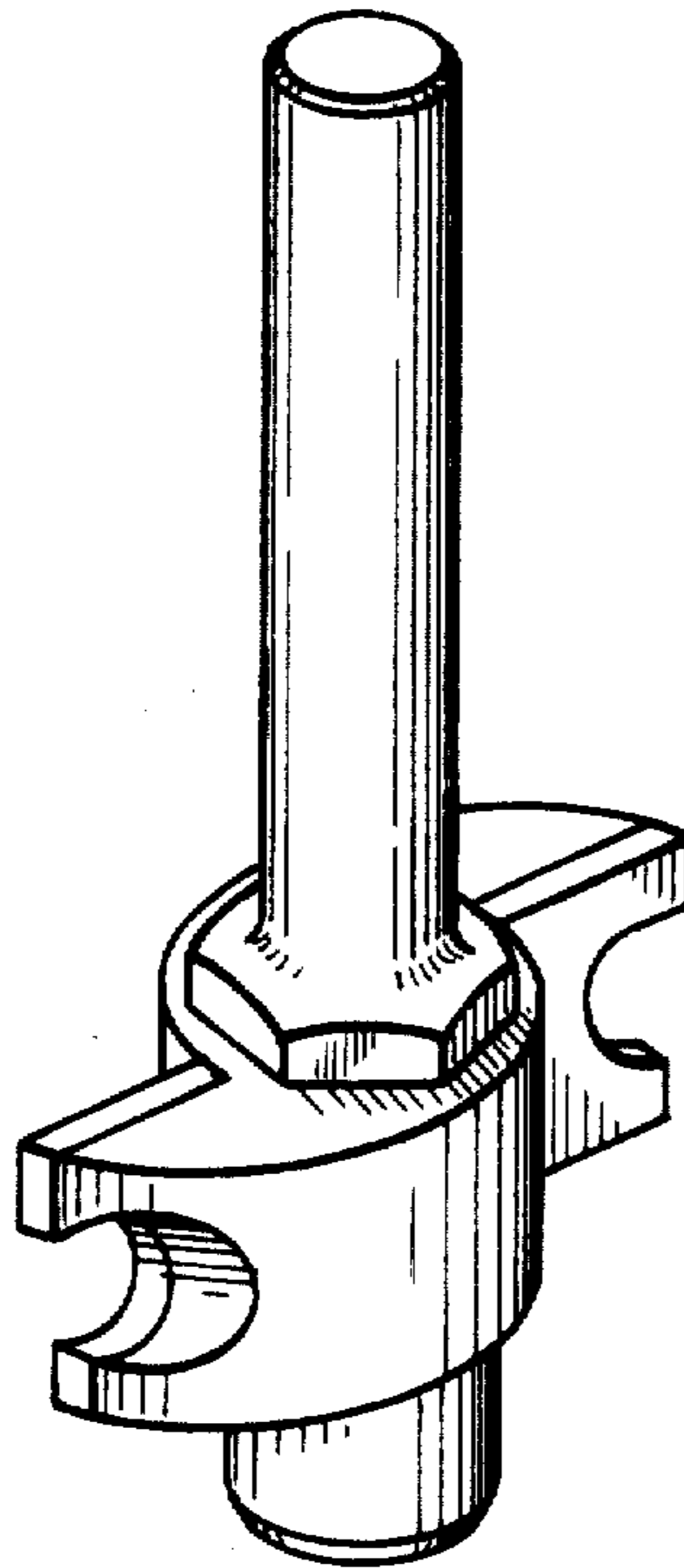
DESCRIPTION

FIG. 1 is a front elevational view of a cutting bit embodying my new design, the rear being a mirror image thereof;

FIG. 2 is a side elevational view taken from the right side of FIG. 1, the side opposite being a mirror image thereof; and

FIG. 3 is a bottom plan view thereof.

FIG. 4 is a perspective view thereof.



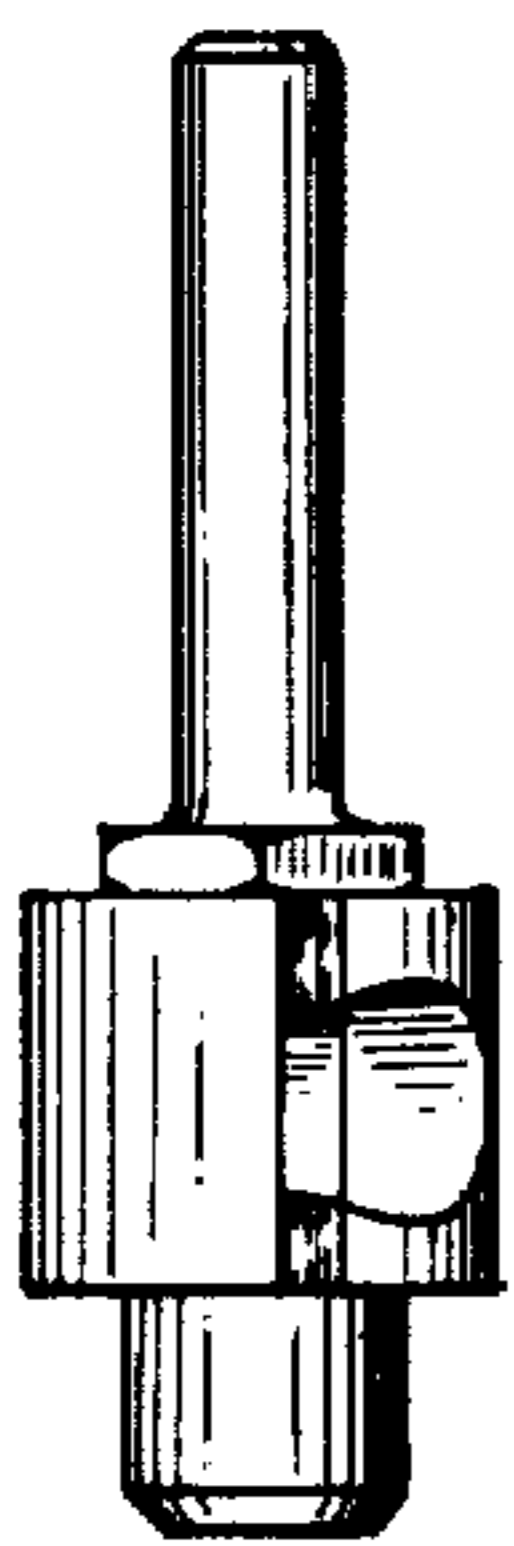


FIG. 1

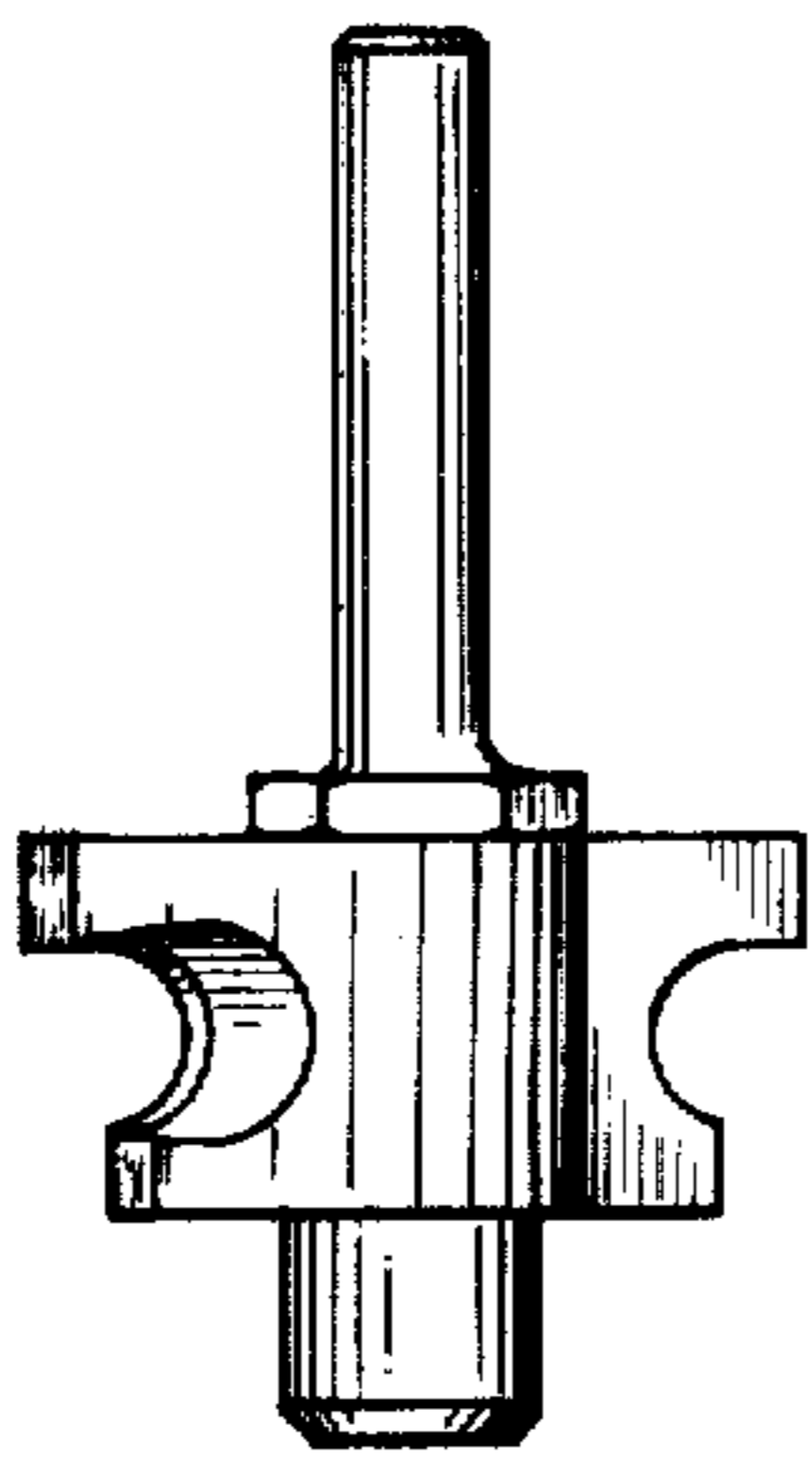


FIG. 2

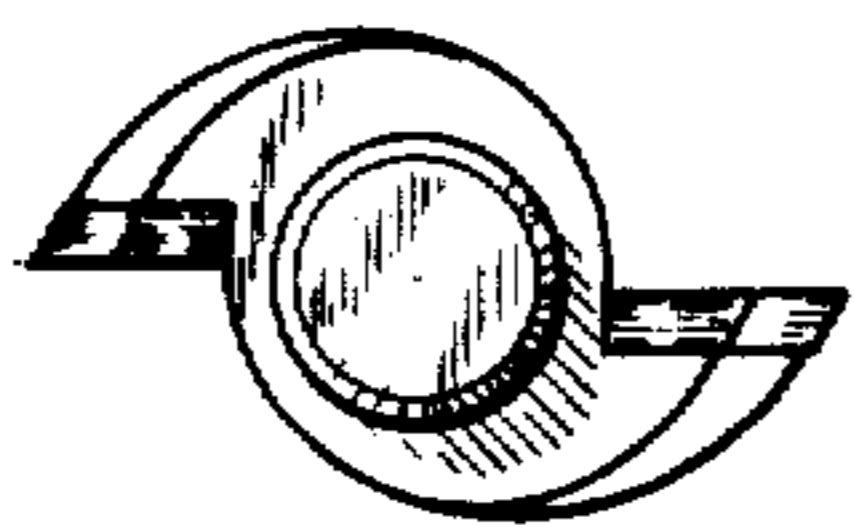


FIG. 3

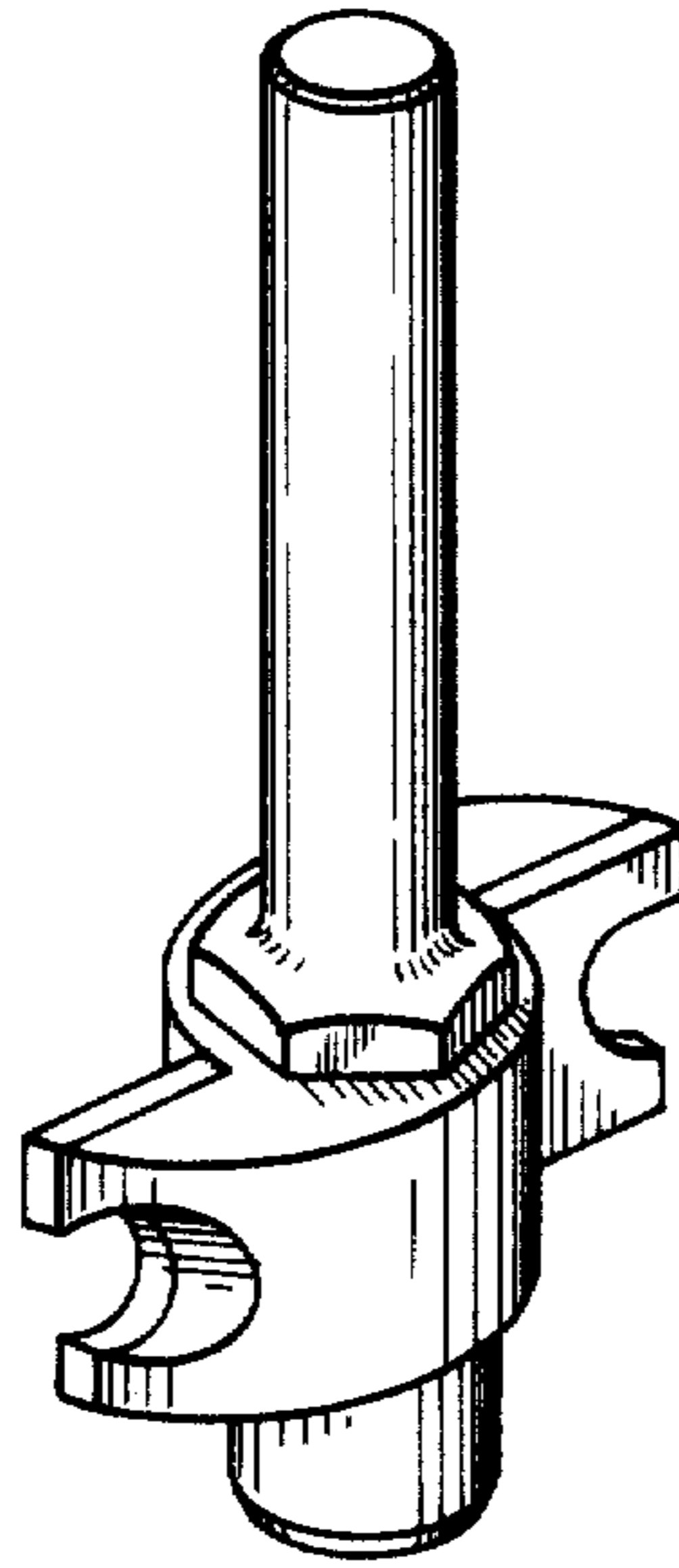


FIG. 4