

[54] TELEPHONE STAND

[75] Inventor: George M. Janda, Wheaton, Ill.

[73] Assignee: GTE Automatic Electric Labs Inc., Northlake, Ill.

[\*\*] Term: 14 Years

[21] Appl. No.: 108,062

[22] Filed: Dec. 28, 1979

[51] Int. Cl. .... D14-03

[52] U.S. Cl. .... D14/65; D14/60

[58] Field of Search ..... 248/176; D6/88, 125; D14/13, 60, 53, 65, 58; 179/100 R, 100 D, 103, 178, 179, 148 F, 147

[56] References Cited

U.S. PATENT DOCUMENTS

- D. 54,322 12/1919 Knapp ..... D14/65
- D. 234,851 4/1975 Tyson et al. .... D14/60
- D. 251,426 3/1979 Molyneux ..... D14/13

2,354,470 7/1944 Topken et al. .... 179/147

FOREIGN PATENT DOCUMENTS

684502 11/1939 Fed. Rep. of Germany ..... 179/147

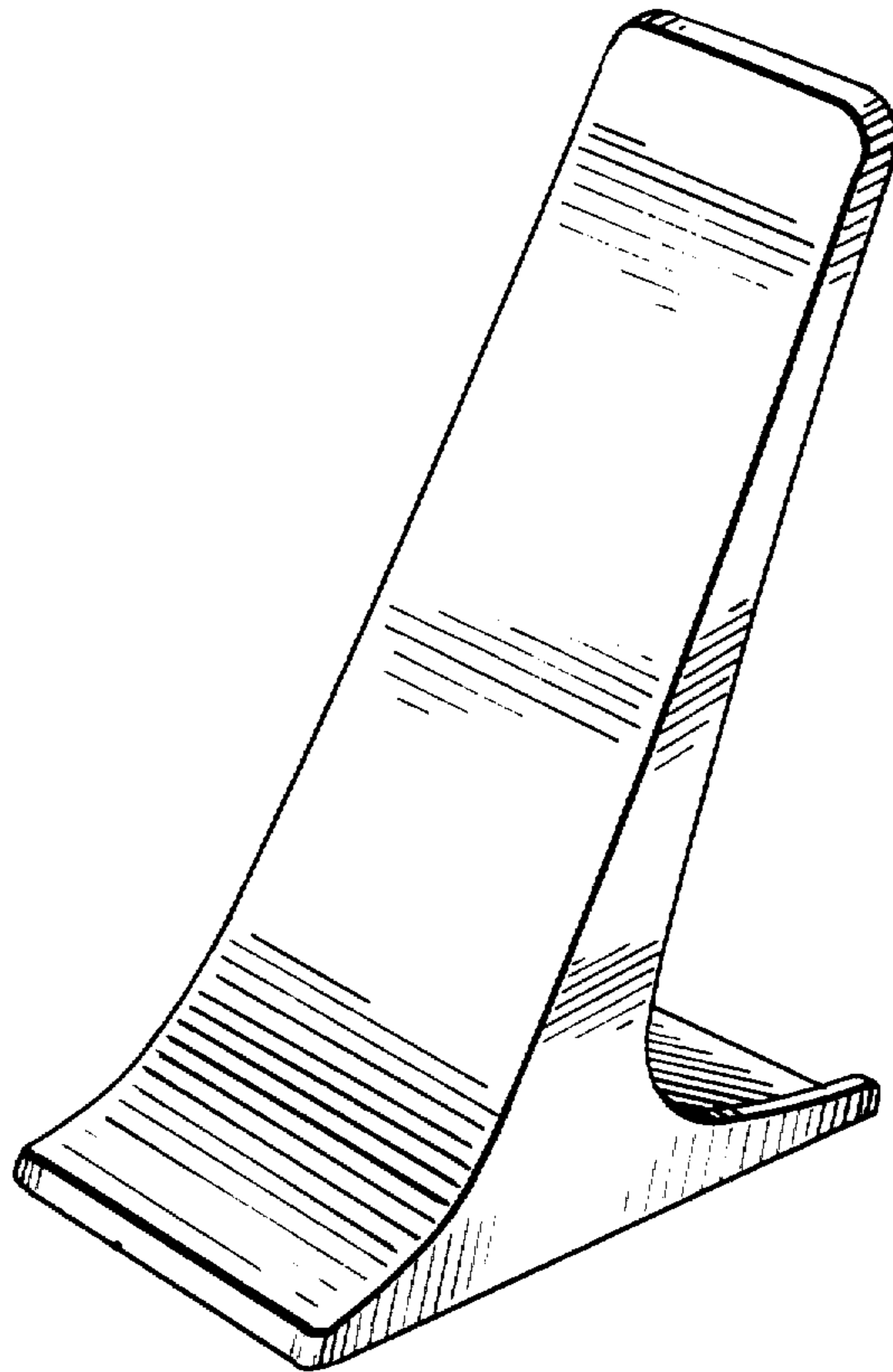
Primary Examiner—Bernard Ansher  
Attorney, Agent, or Firm—Robert J. Black; Anthony Miologos

[57] CLAIM

The ornamental design for a telephone stand, as shown and described.

DESCRIPTION

FIG. 1 is a perspective view of a telephone stand, showing my new design;  
FIG. 2 is a top plan view thereof, of an enlarged scale;  
FIG. 3 is a side elevation thereof, of an enlarged scale, the opposite side being a mirror image of the side shown; and  
FIG. 4 is a front elevation thereof, of an enlarged scale. The broken line representing a telephone handset are shown for illustrative purposes only.



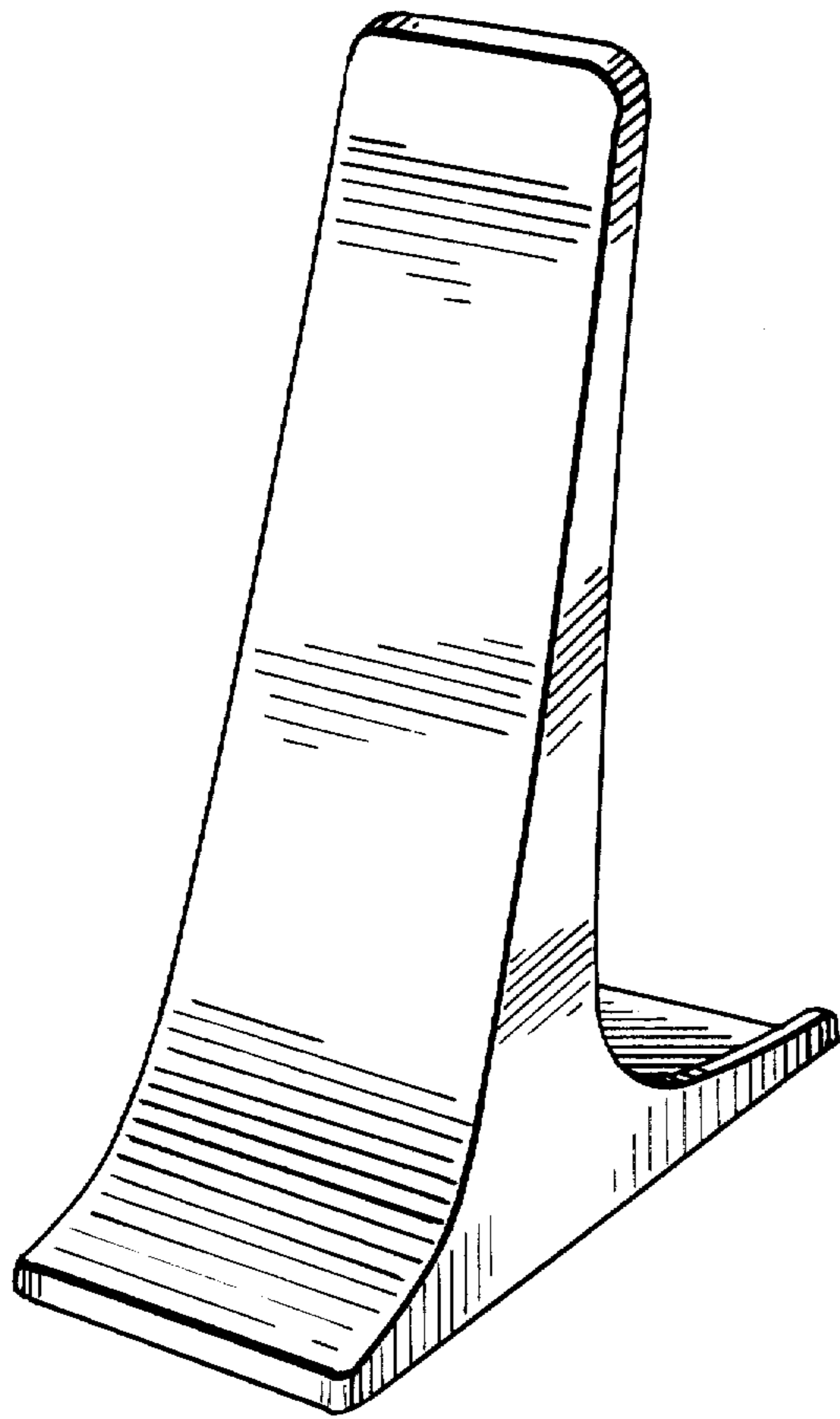


FIG. 1

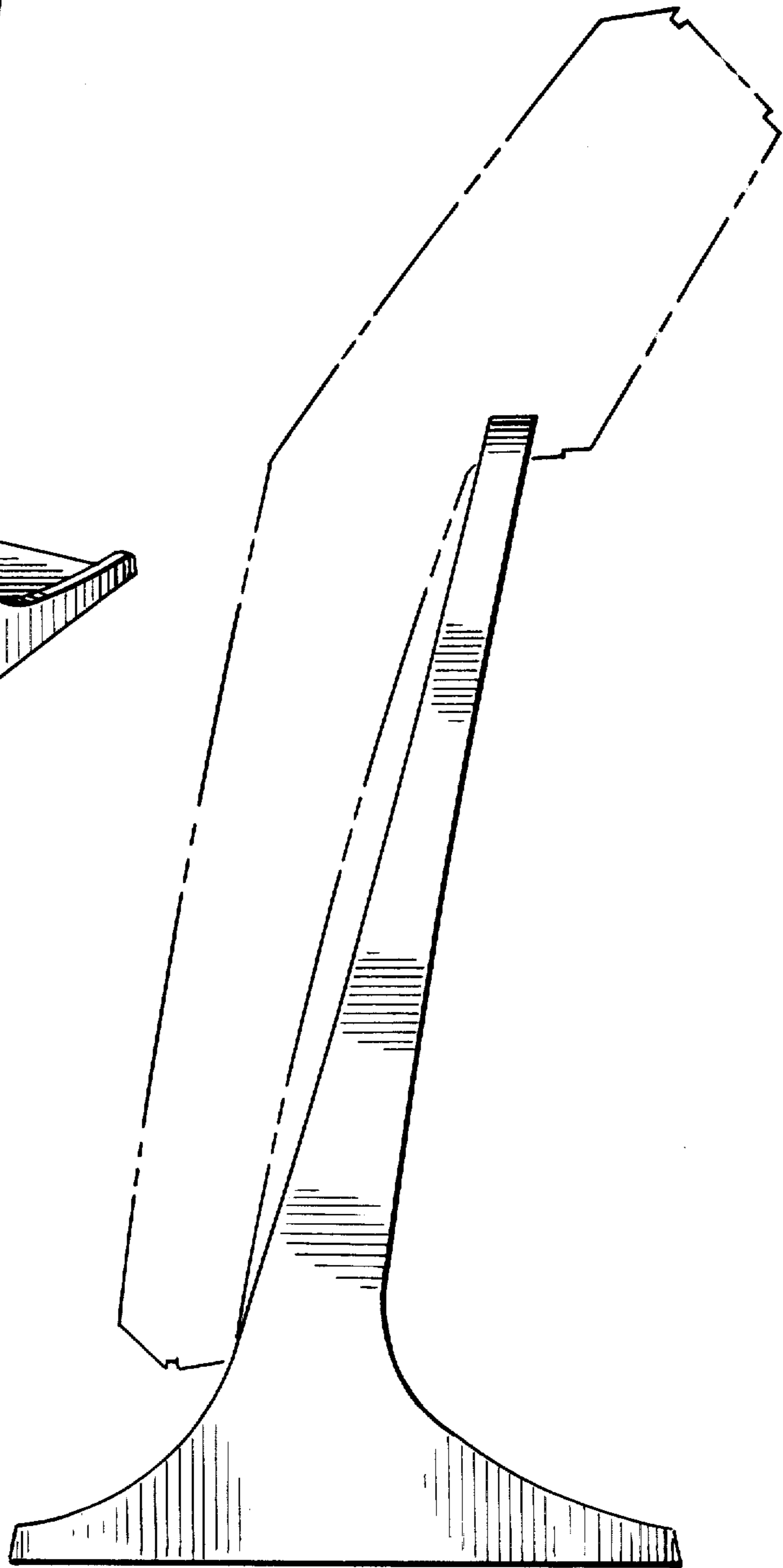


FIG. 2

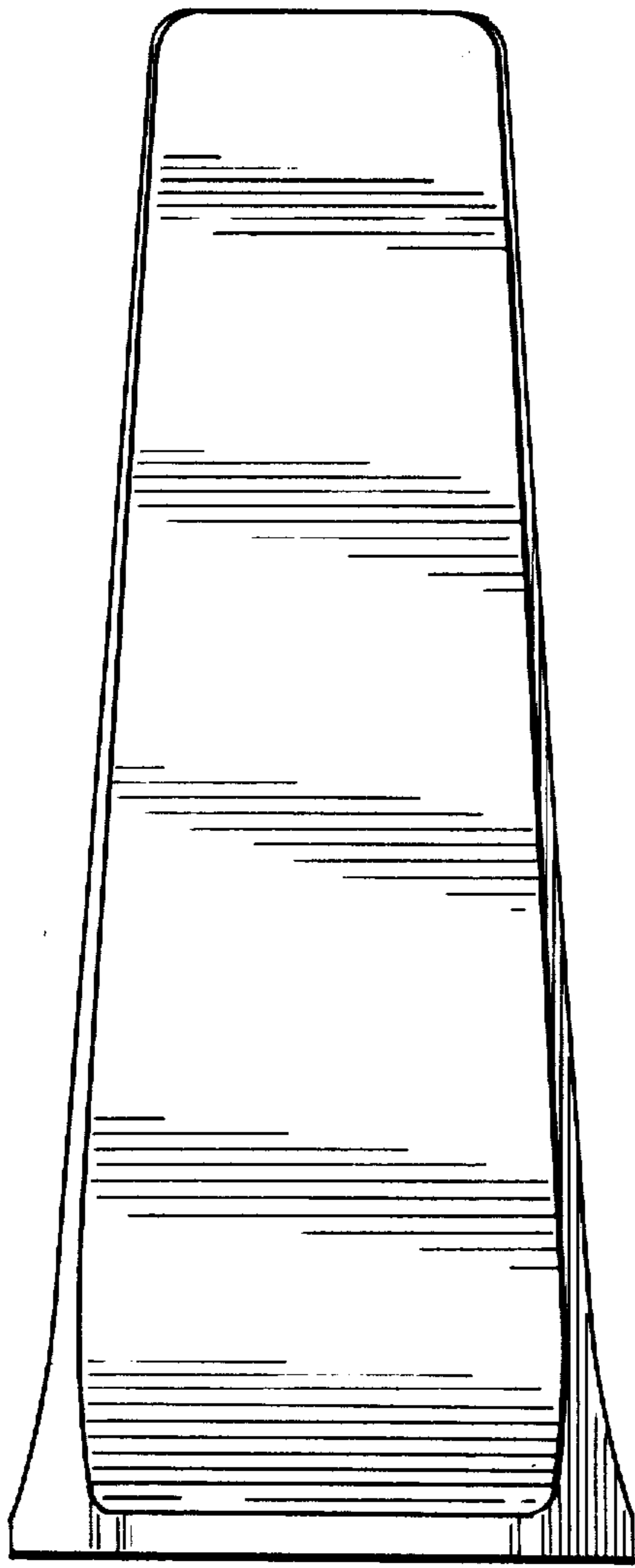


FIG. 3

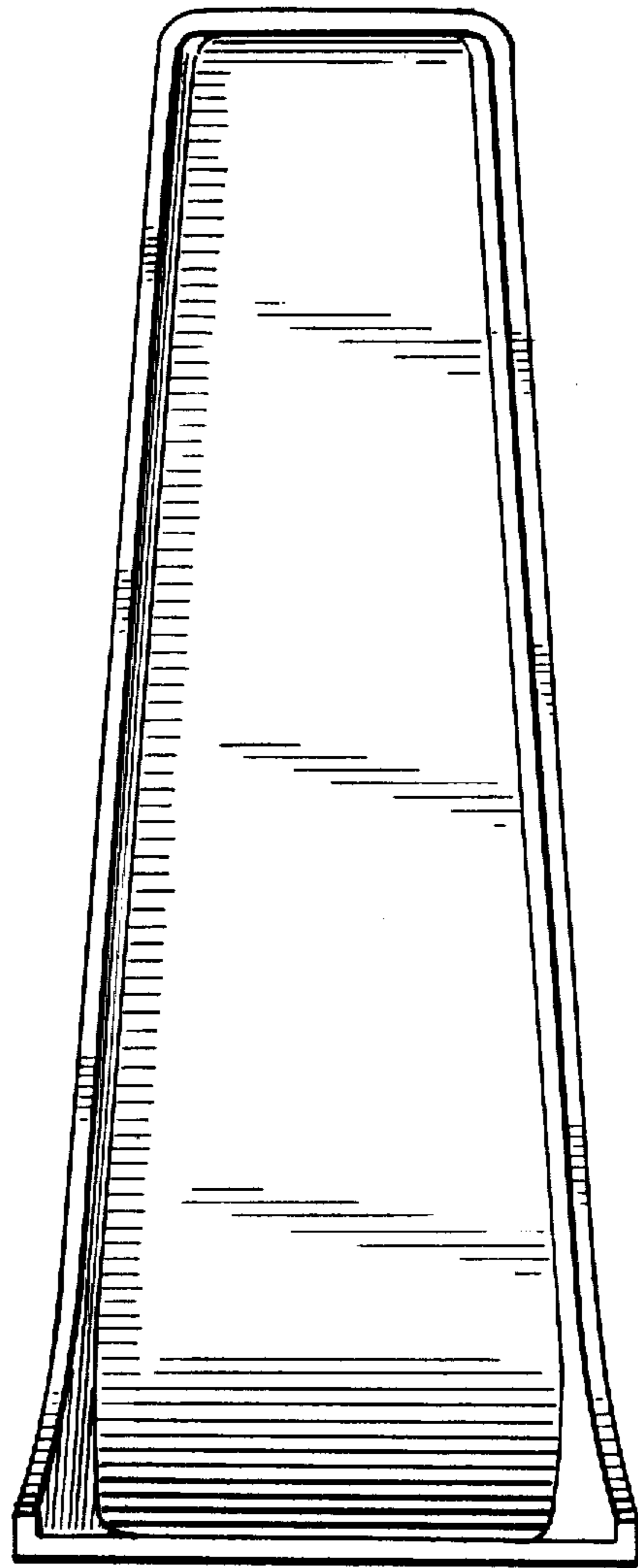


FIG. 4