

[54] TELEPHONE STAND

[75] Inventor: George M. Janda, Wheaton, Ill.

[73] Assignee: GTE Automatic Electric Labs Inc., Northlake, Ill.

[**] Term: 14 Years

[21] Appl. No.: 107,971

[22] Filed: Dec. 28, 1979

[51] Int. Cl. D14-03

[52] U.S. Cl. D14/65; D14/60

[58] Field of Search D14/13, 60, 53, 65, D14/58; 179/100 R, 100 D, 103, 178, 179, 148 F, 147; D6/88, 125; 248/176

[56] References Cited

U.S. PATENT DOCUMENTS

D. 54,322 12/1919 Knapp D14/65

D. 234,851 4/1975 Tyson et al. D14/60
D. 251,426 3/1979 Molyneux D14/13
2,354,470 7/1944 Topken et al. 179/147

FOREIGN PATENT DOCUMENTS

684502 11/1939 Fed. Rep. of Germany 179/147

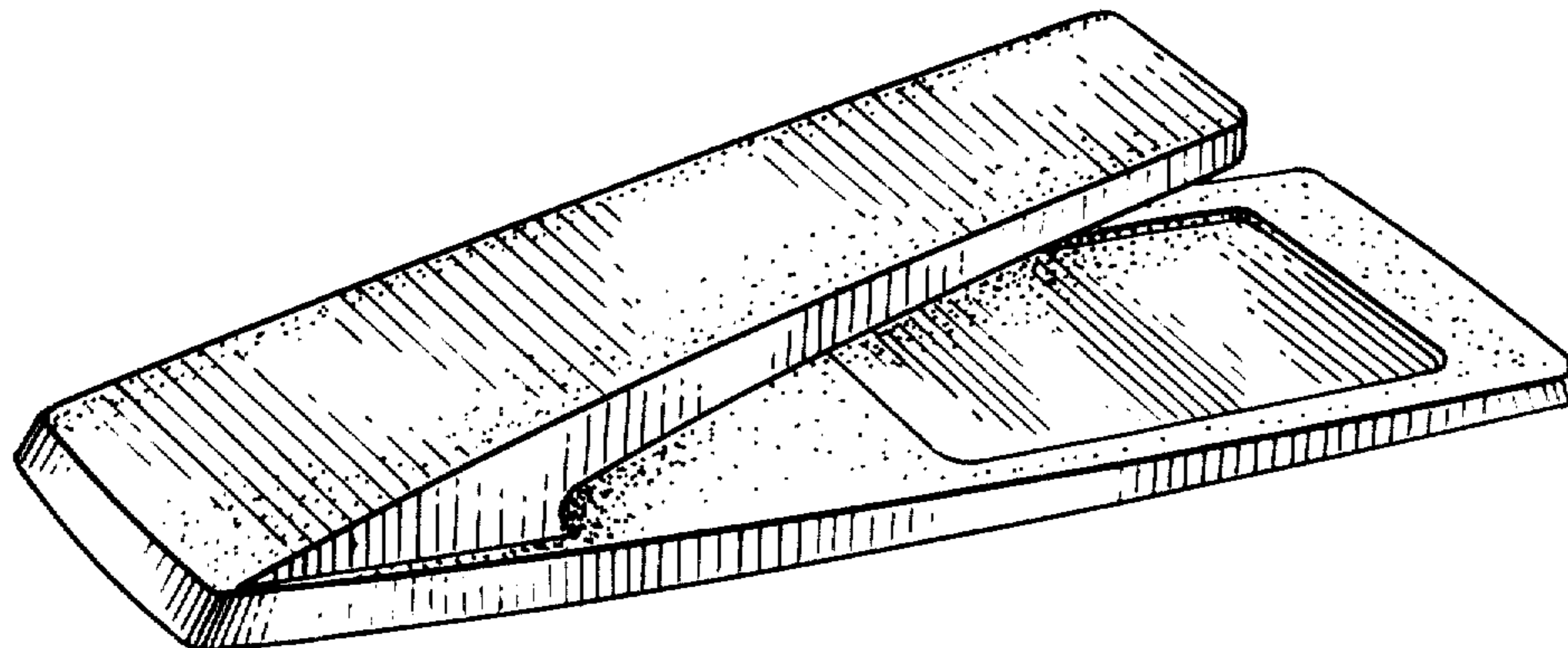
Primary Examiner—Bernard Ansher
Attorney, Agent, or Firm—Robert J. Black; Anthony Miologos

[57] CLAIM

The ornamental design for a telephone stand, as shown.

DESCRIPTION

FIG. 1 is a perspective view of a telephone stand, showing my new design;
FIG. 2 is a top plan view thereof, of an enlarged scale;
FIG. 3 is a side elevation thereof, of an enlarged scale, the opposite side being a mirror image of the side shown; and
FIG. 4 is a front elevation thereof, of an enlarged scale.



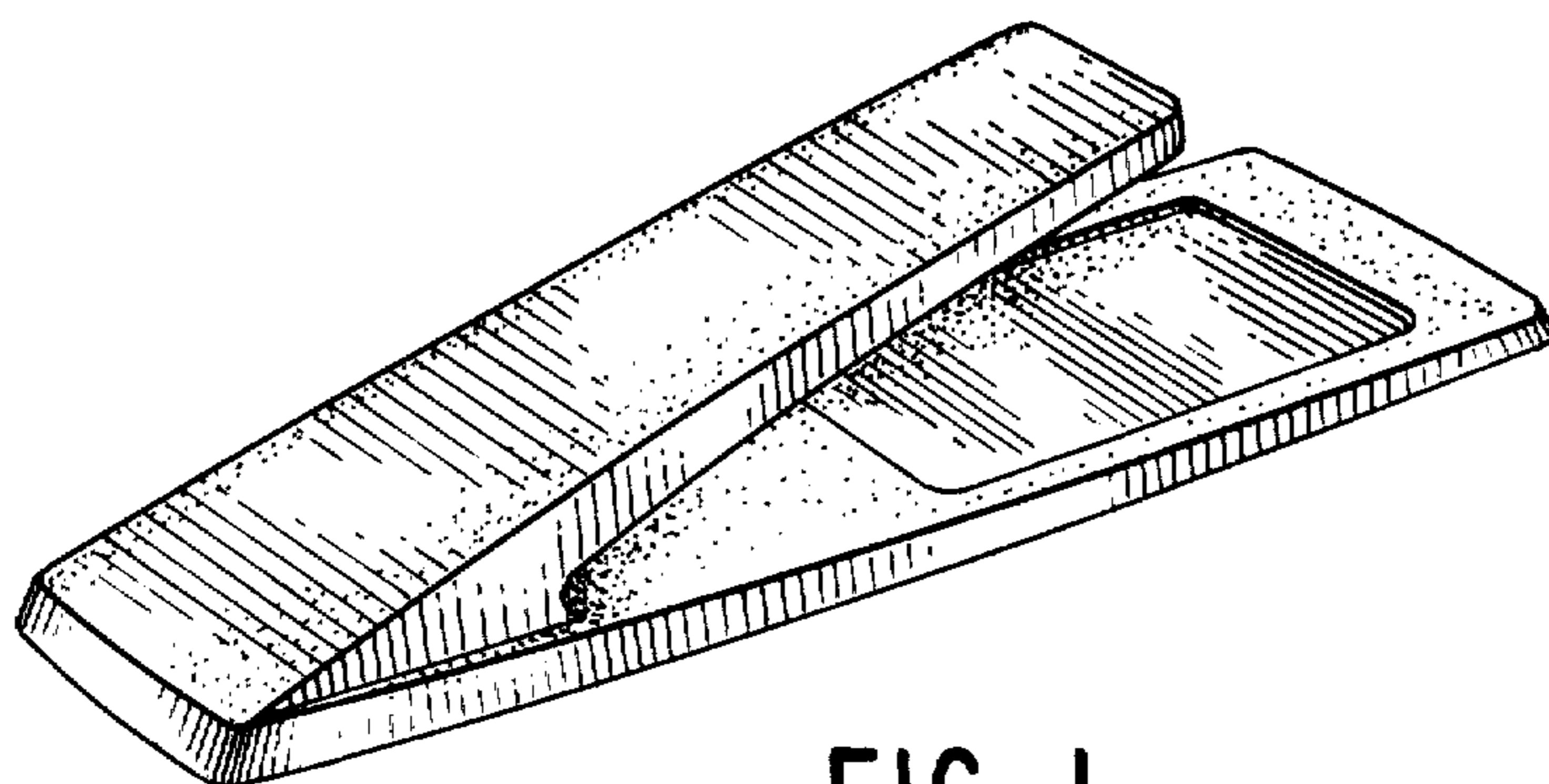


FIG. 1

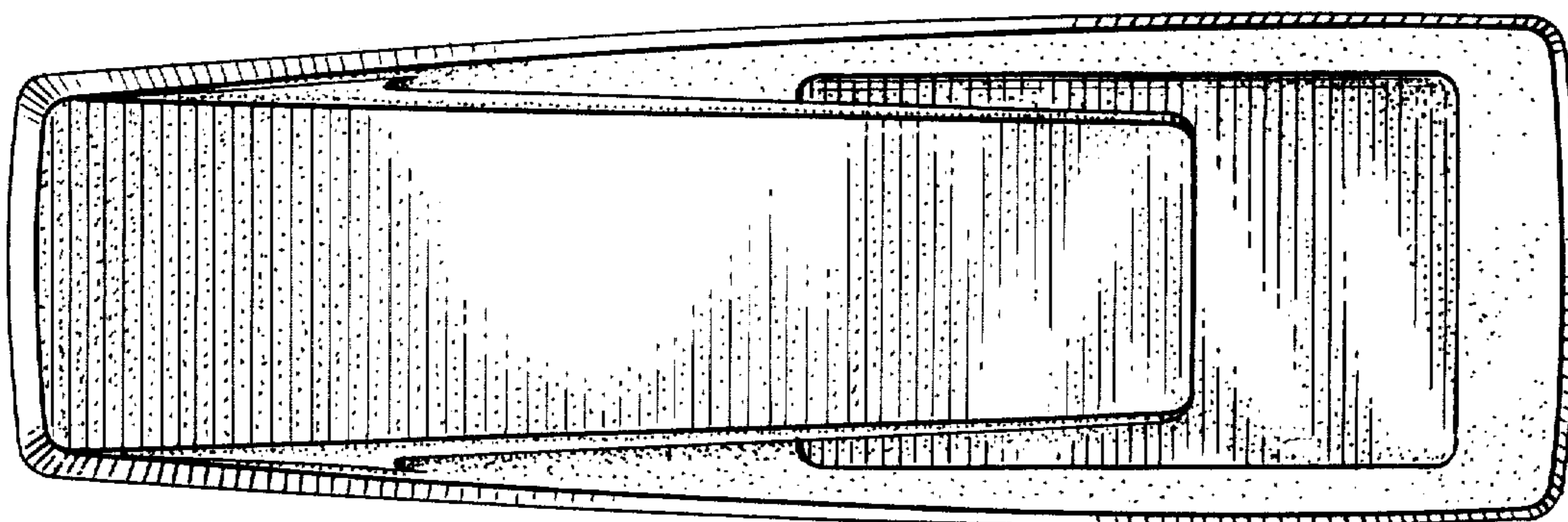


FIG. 2

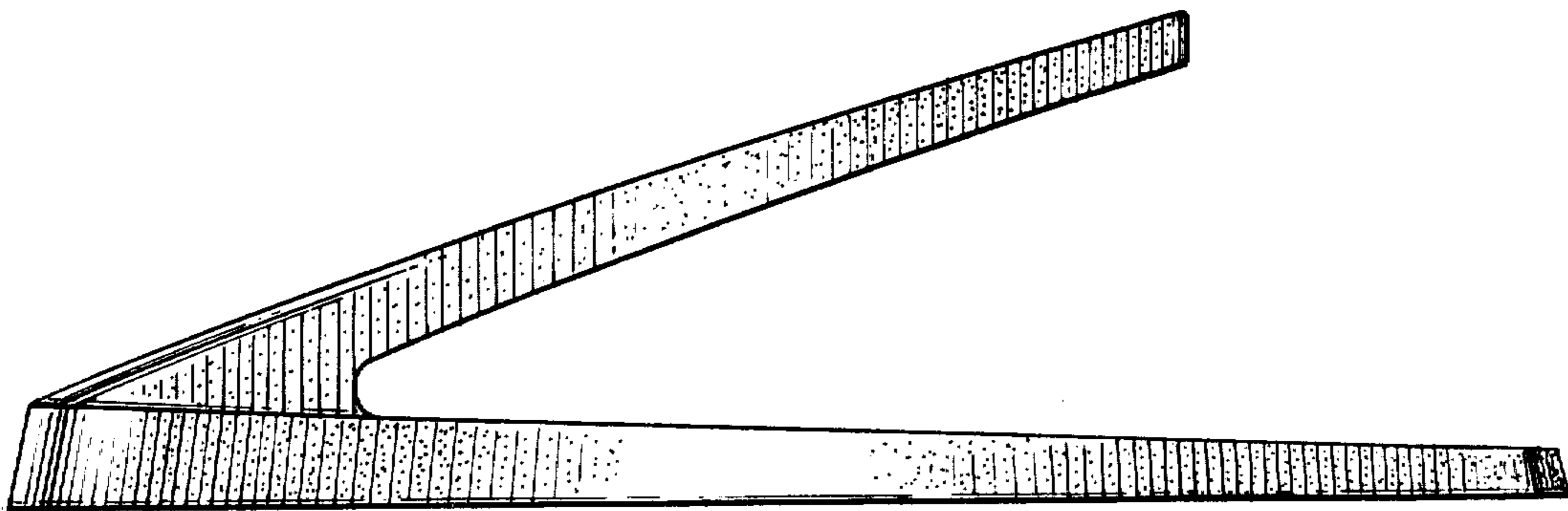


FIG. 3

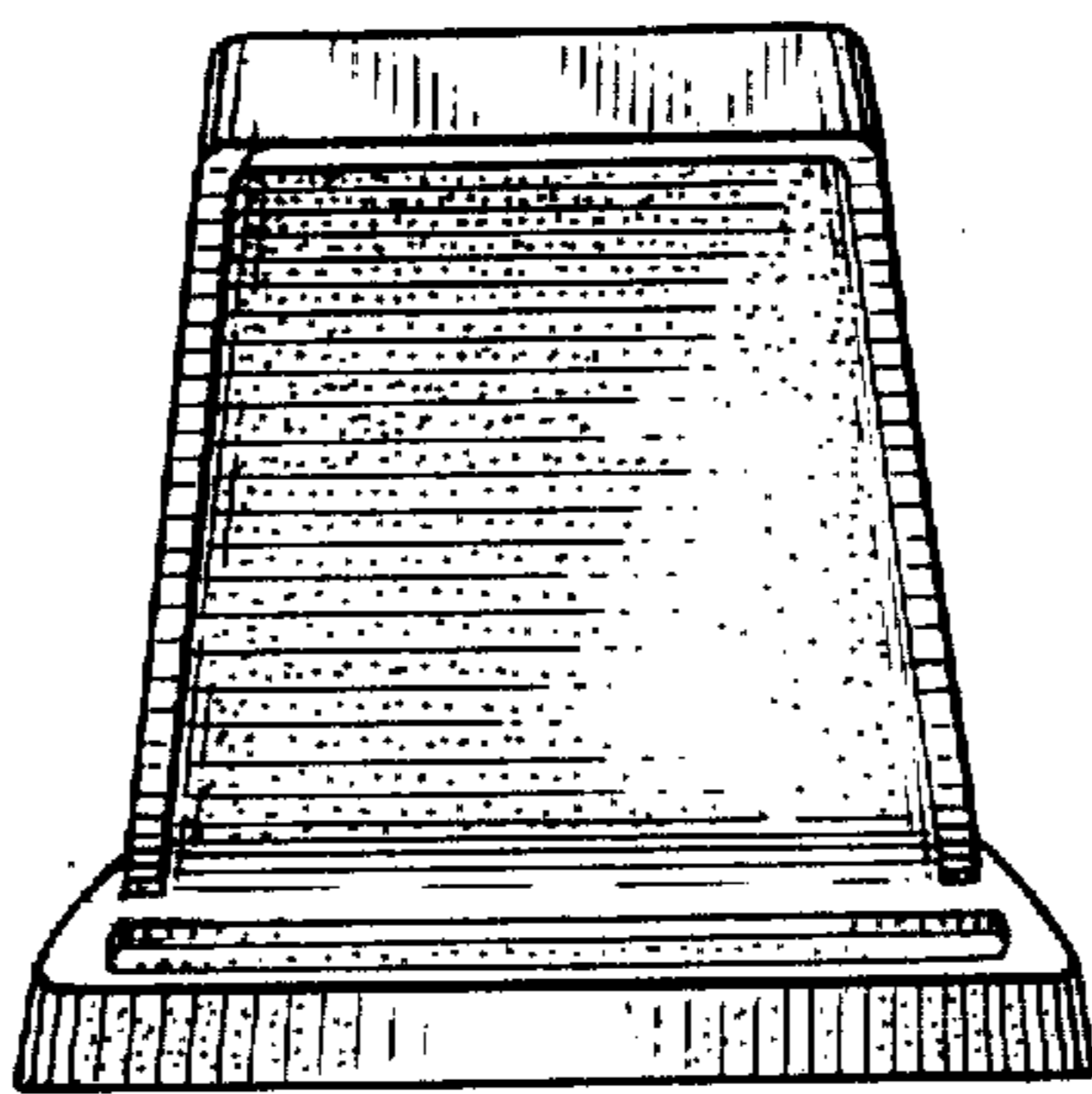


FIG. 4