

[54] WORD PROCESSOR

[75] Inventor: Koichi Soda, Tokyo, Japan

[73] Assignee: Ricoh Company, Ltd., Japan

[\*\*] Term: 3½ Years

[21] Appl. No.: 952,470

[22] Filed: Oct. 18, 1978

[51] Int. Cl. .... D14-02

[52] U.S. Cl. .... D18/1; D14/104

[58] Field of Search .... D14/40-51; D13/12, 40, 41; 312/223; 361/390, 391, 331; 174/50, 52 R; 340/365 R, 365 VL, 711, 720; 364/900, 708; 235/145 R, 1 D

[56] References Cited

U.S. PATENT DOCUMENTS

- D. 251,086 2/1979 Wilson et al. .... D14/44
- D. 251,666 4/1979 Coon ..... D14/44

D. 251,729 5/1979 Schick ..... D14/50

Primary Examiner—Peter Feldman  
Attorney, Agent, or Firm—McGlew and Tuttle

[57] CLAIM

The ornamental design for a word processor, as shown and described.

DESCRIPTION

FIG. 1 is a front, top, right perspective view of a word processor showing my new design with the cover in the open position;  
 FIG. 2 is a left side, front, top perspective view thereof;  
 FIG. 3 is a front, right side, top perspective view of FIG. 1 with the cover in the closed position;  
 FIG. 4 is a front elevational view thereof;  
 FIG. 5 is a top plan view thereof;  
 FIG. 6 is a right side elevational view thereof;  
 FIG. 7 is a left side elevational view thereof;  
 FIG. 8 is a rear elevational view thereof; and  
 FIG. 9 is a bottom plan view thereof.

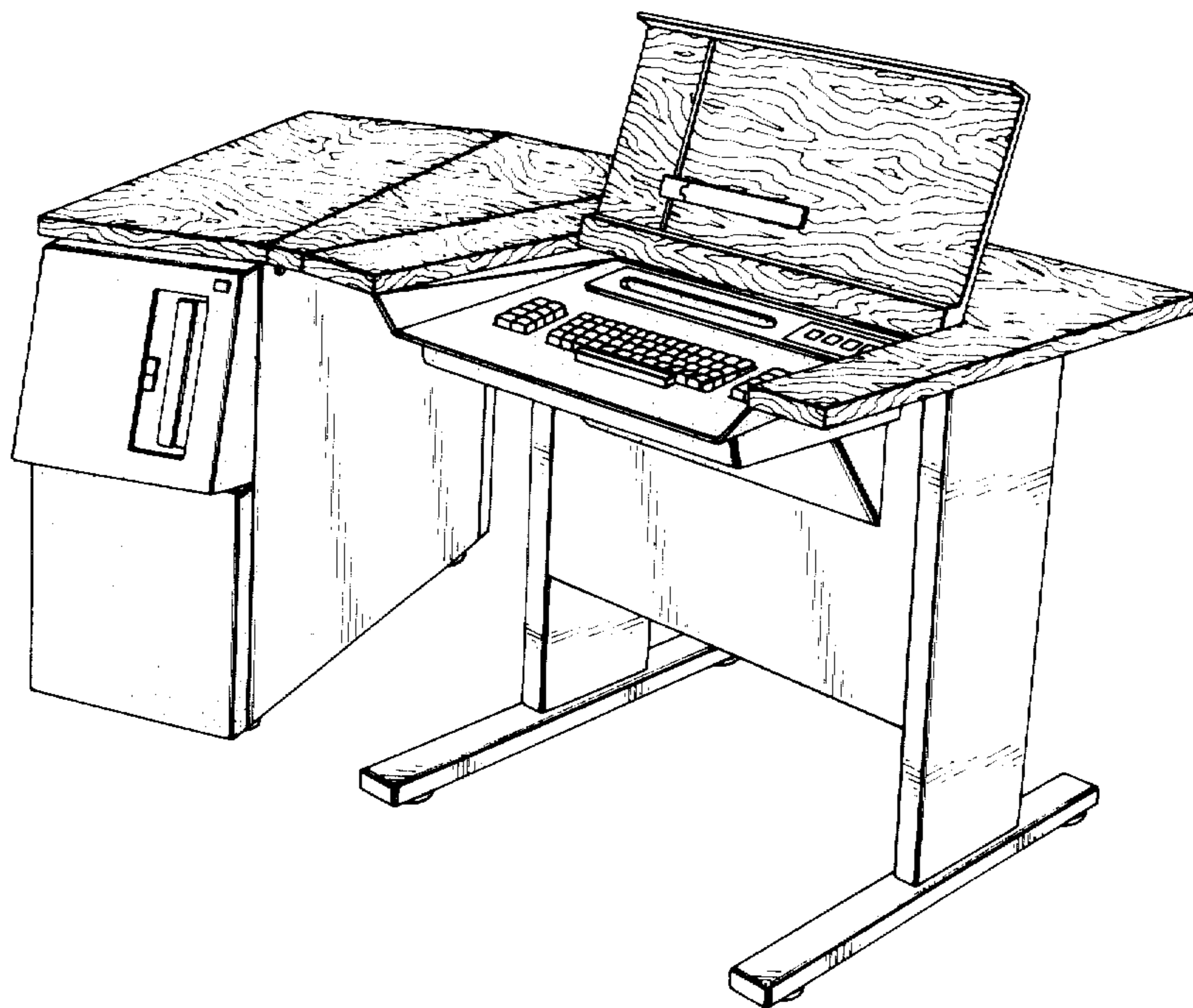


FIG. 1

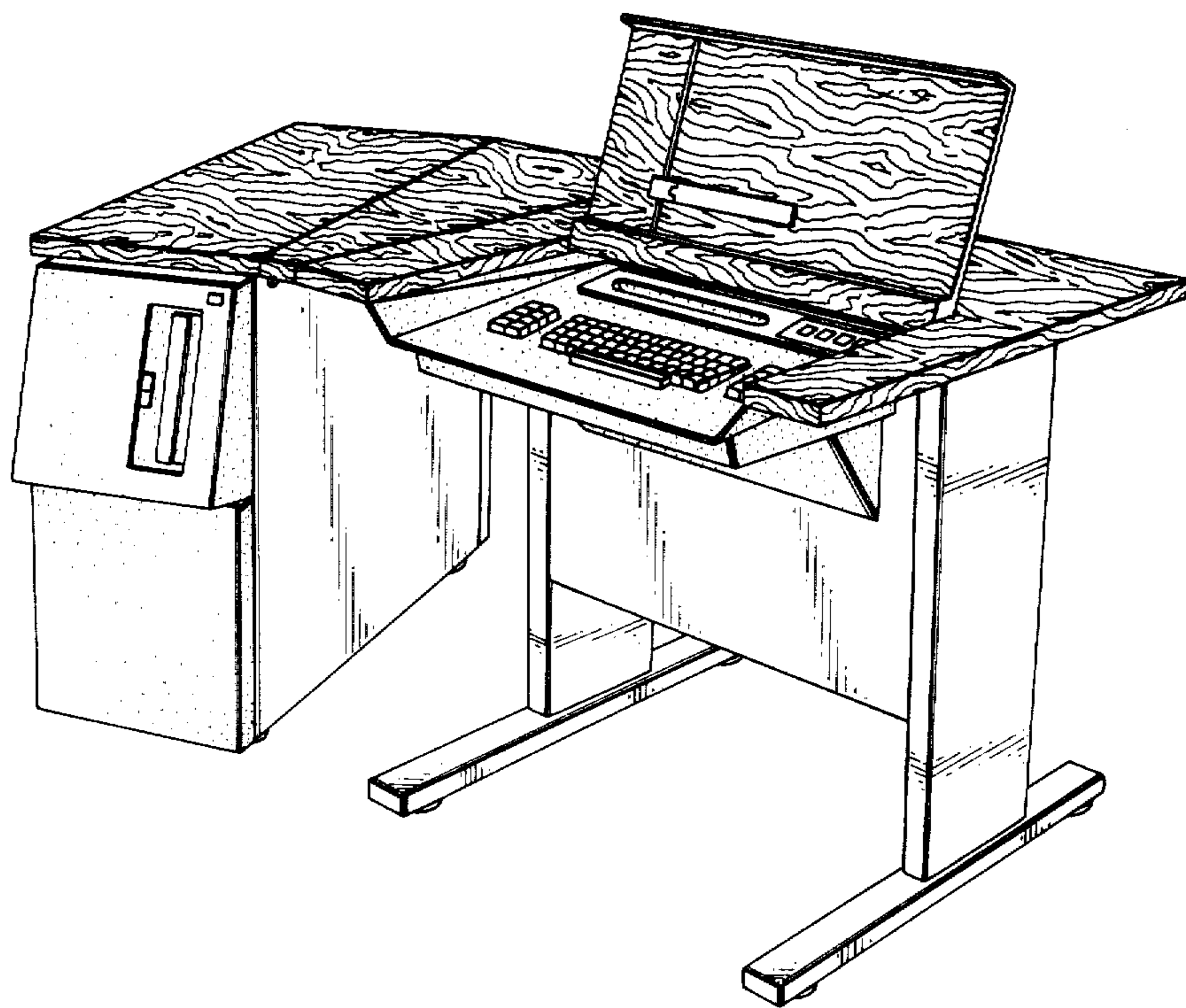


FIG. 2

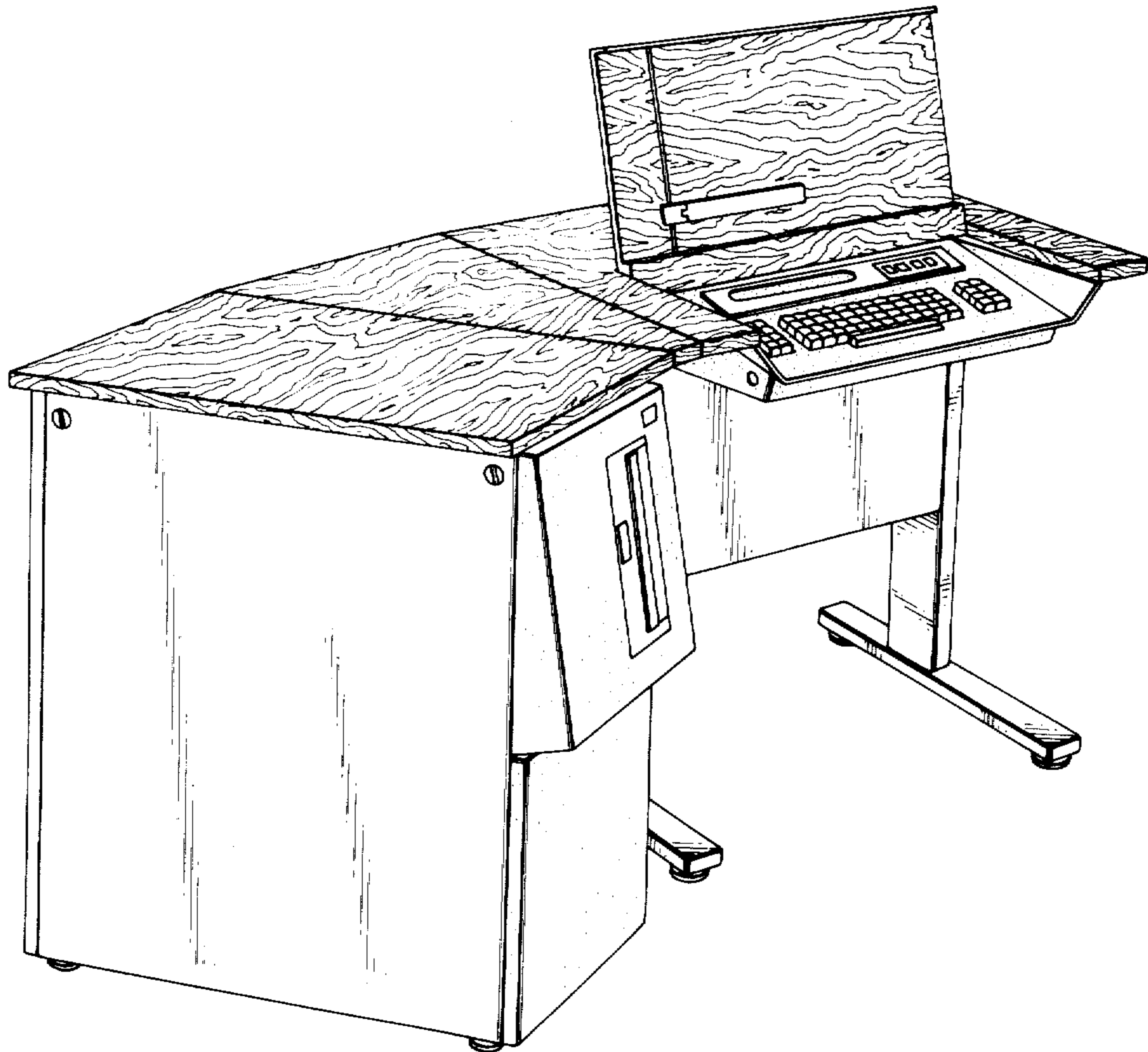


FIG. 3

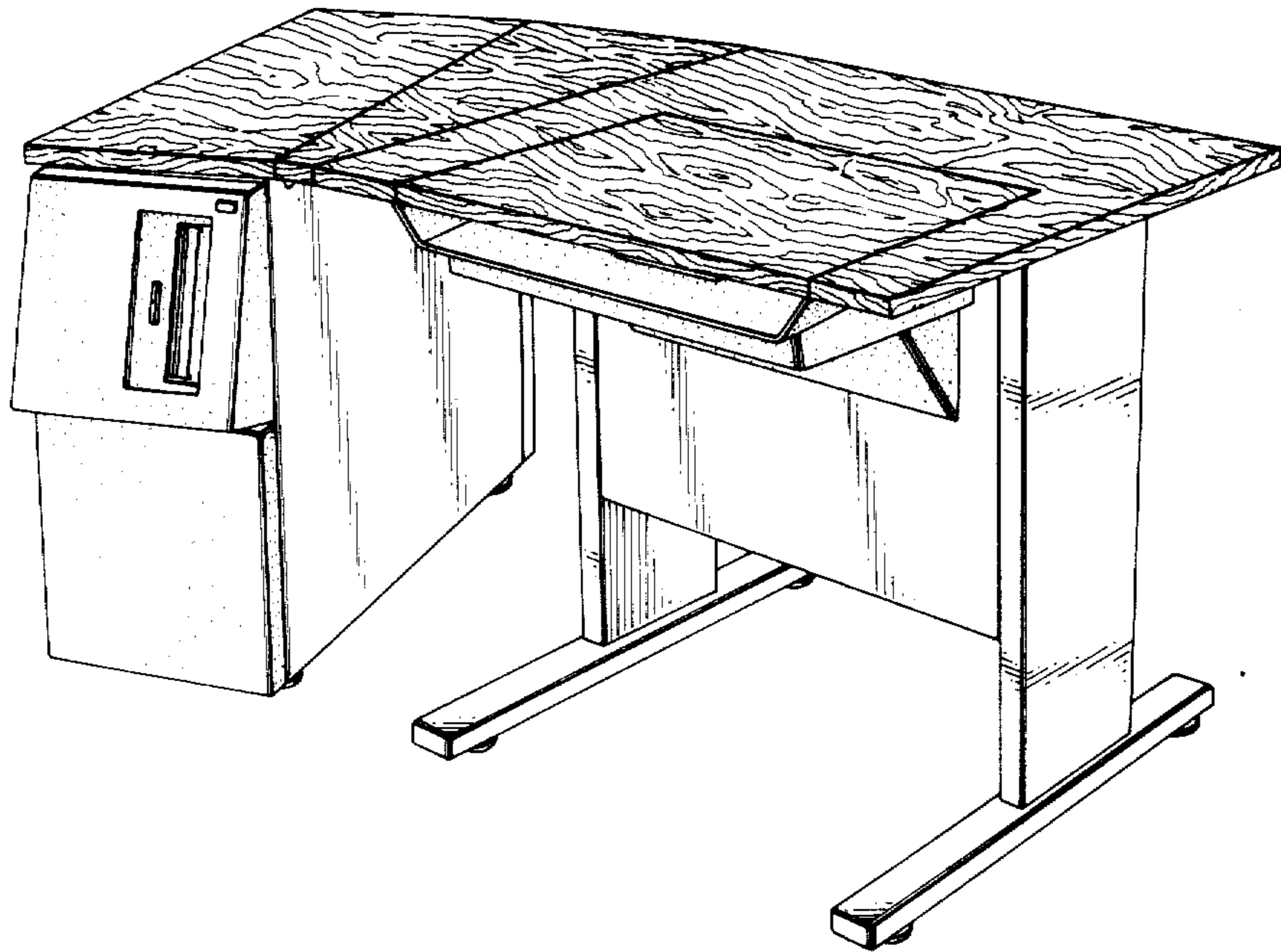


FIG. 4

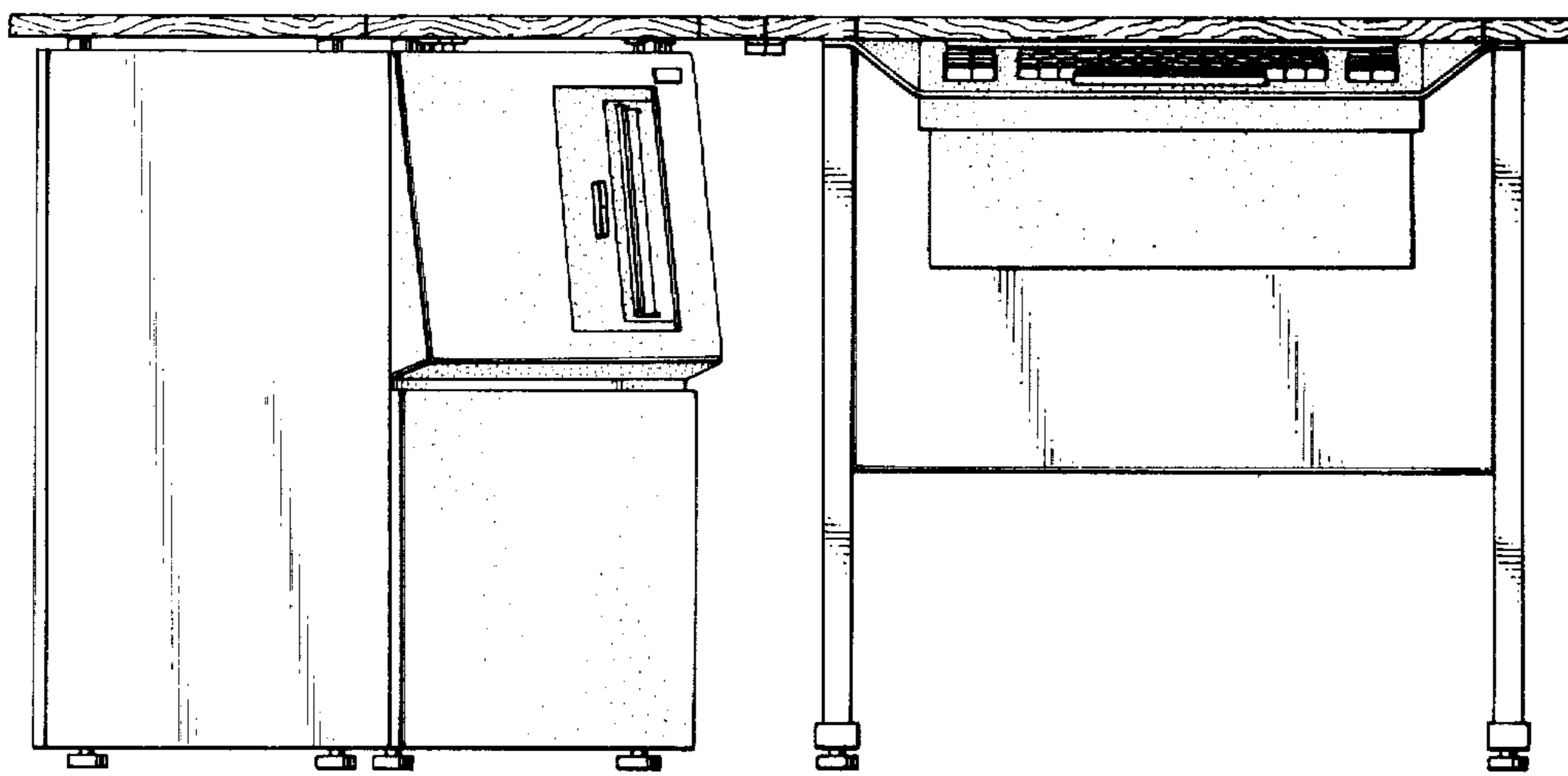


FIG. 5

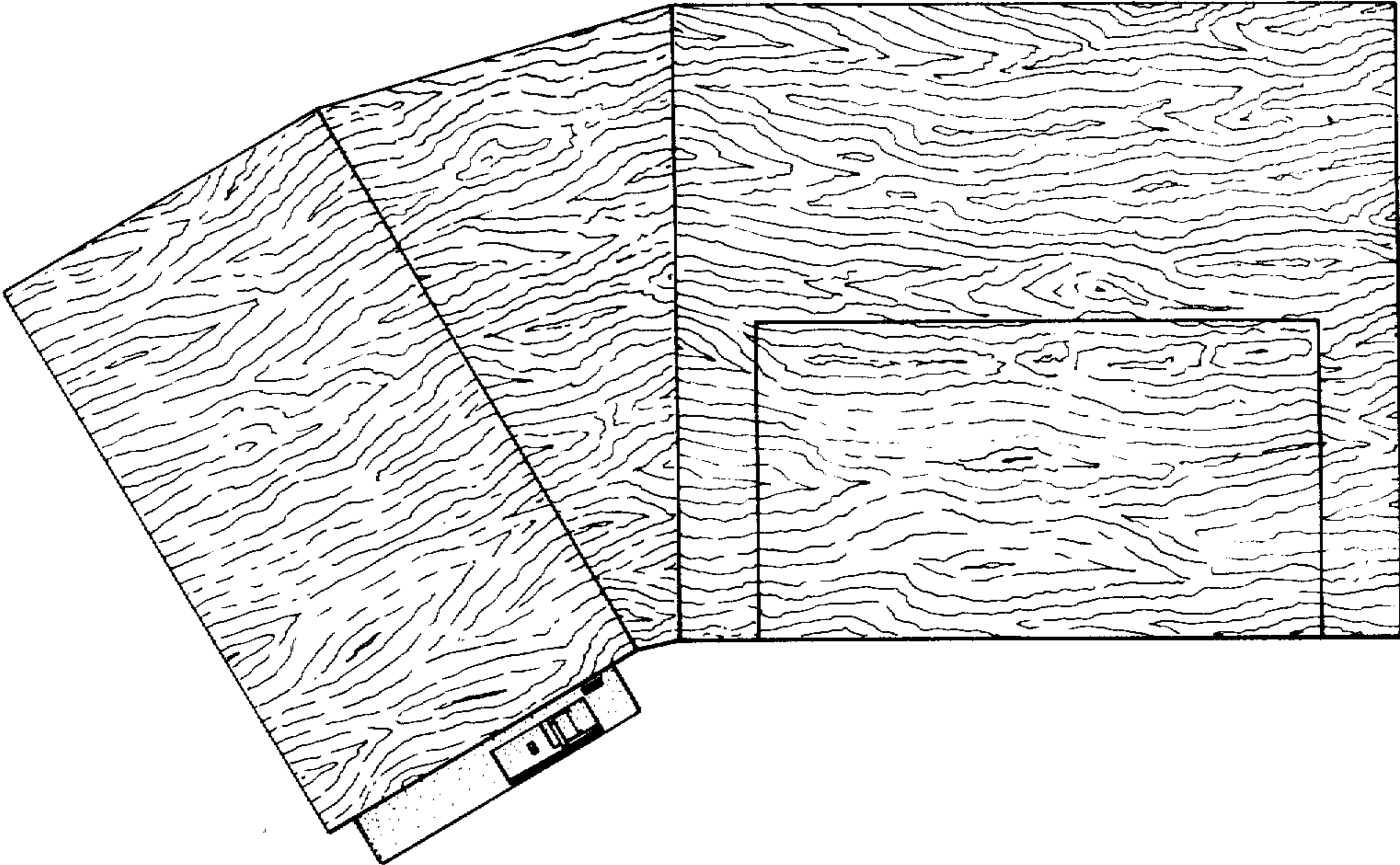


FIG. 6

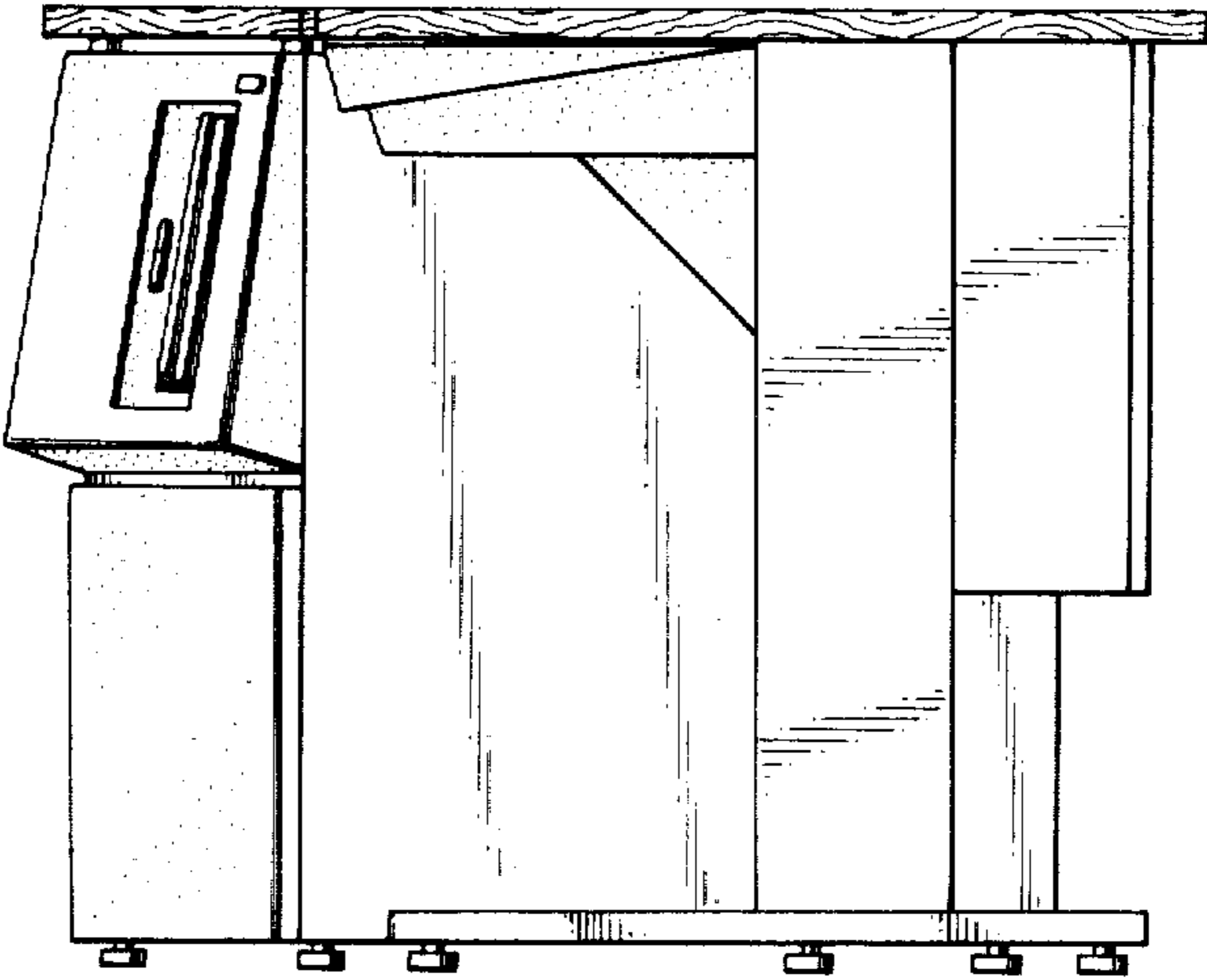


FIG. 7

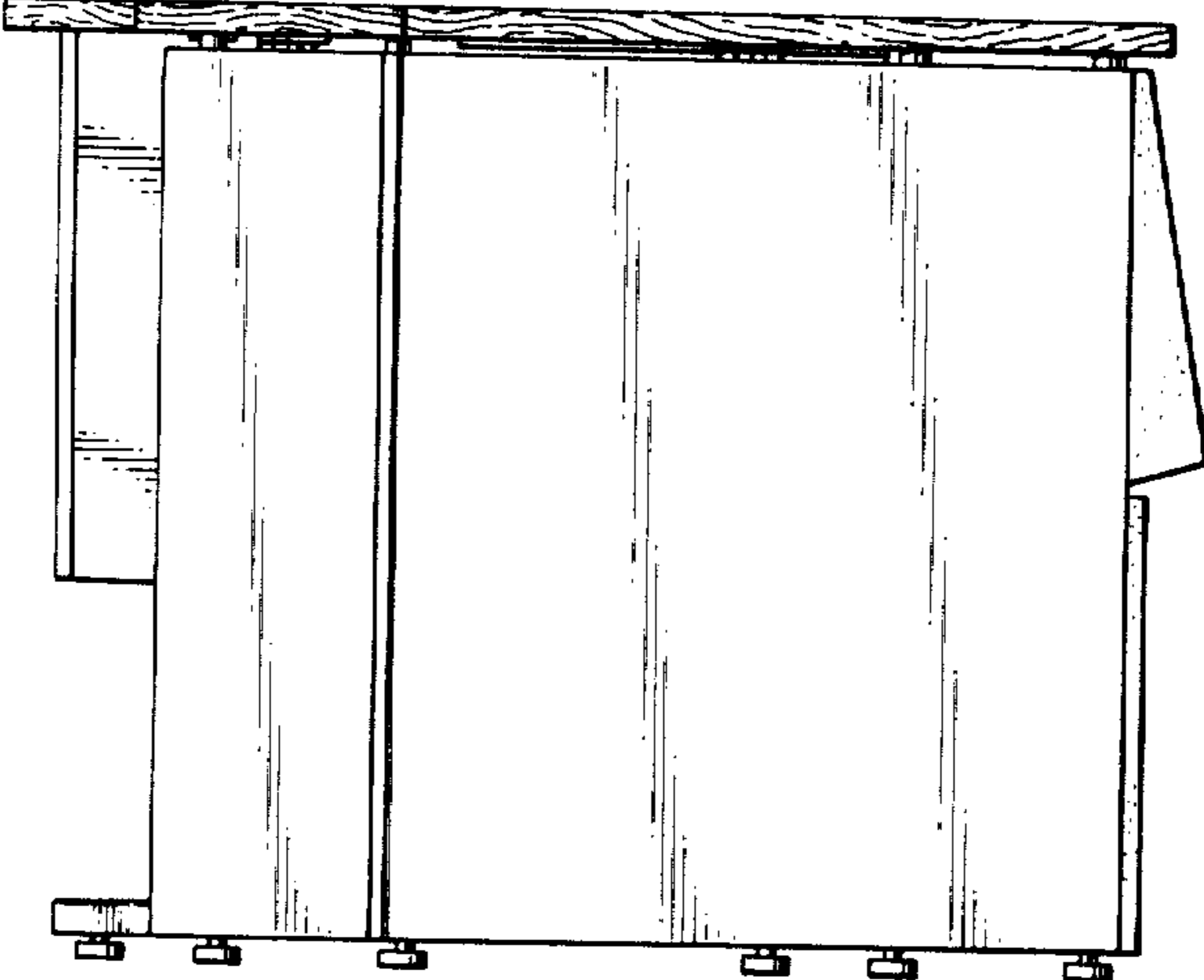


FIG. 8

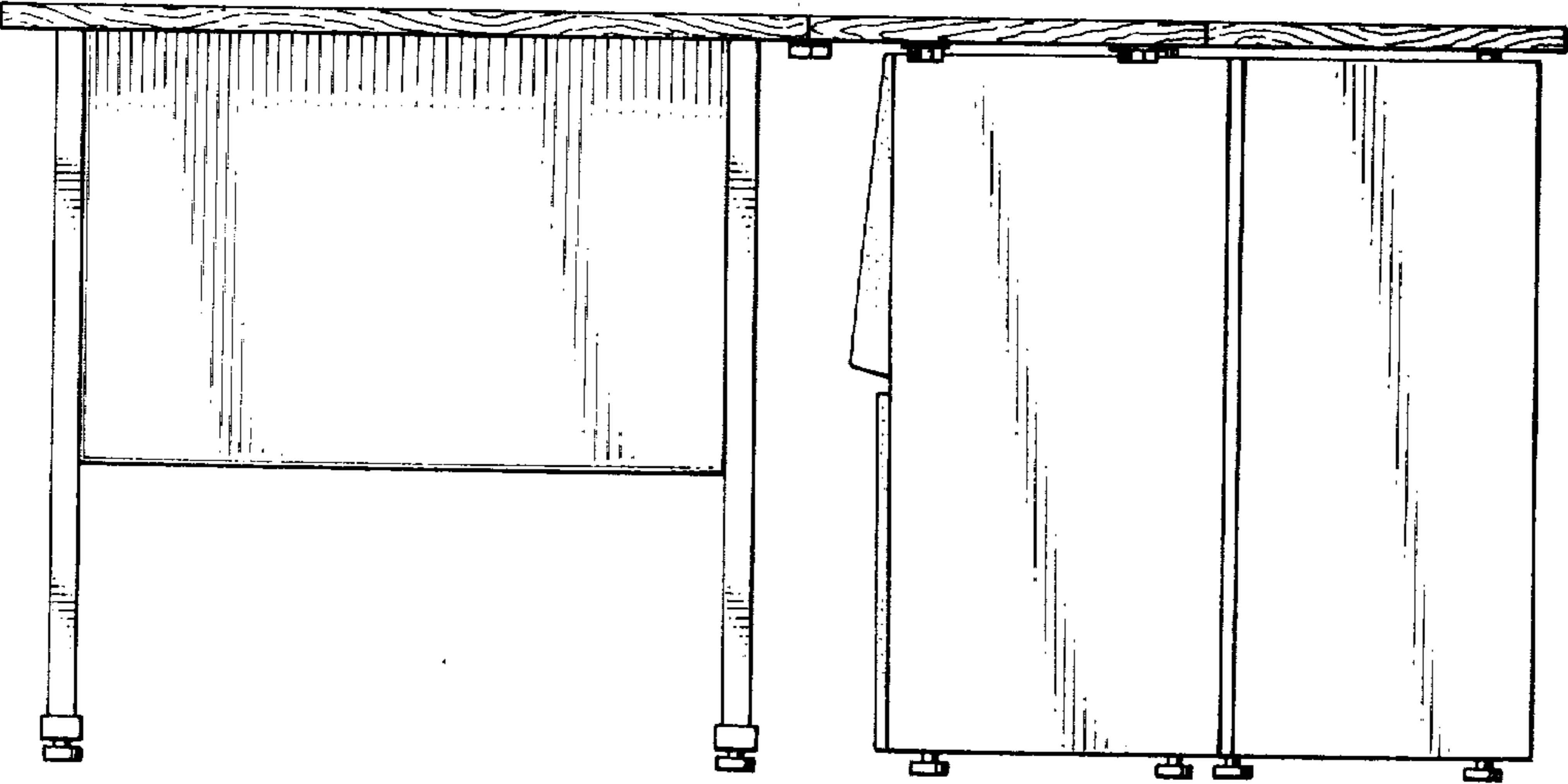


FIG. 9

