

[54] SELF-FASTENED HEAT SINK FOR ELECTRONIC DEVICES

[75] Inventors: Philip A. Johnson, Kingston; Alfred F. McCarthy, Belmont, both of N.H.

[73] Assignee: Aavid Engineering, Inc., Laconia, N.H.

[**] Term: 14 Years

[21] Appl. No.: 16,326

[22] Filed: Feb. 27, 1979

[51] Int. Cl. D13-99

[52] U.S. Cl. D13/23

[58] Field of Search D13/23; 174/16 HS; 165/80, 8 A, 8 B; 357/81

[56] References Cited

U.S. PATENT DOCUMENTS

4,203,488 5/1980 Johnson et al. 357/81X

Primary Examiner—Susan J. Lucas

Attorney, Agent, or Firm—James E. Mrose

[57] CLAIM

The ornamental design for a self-fastened heat sink for electronic devices, substantially as shown and described.

DESCRIPTION

FIG. 1 is a perspective view of a self-fastened heat sink for electronic devices showing our new design, on a somewhat enlarged scale;

FIG. 2 is a front elevational view thereof;

FIG. 3 is a top plan view thereof;

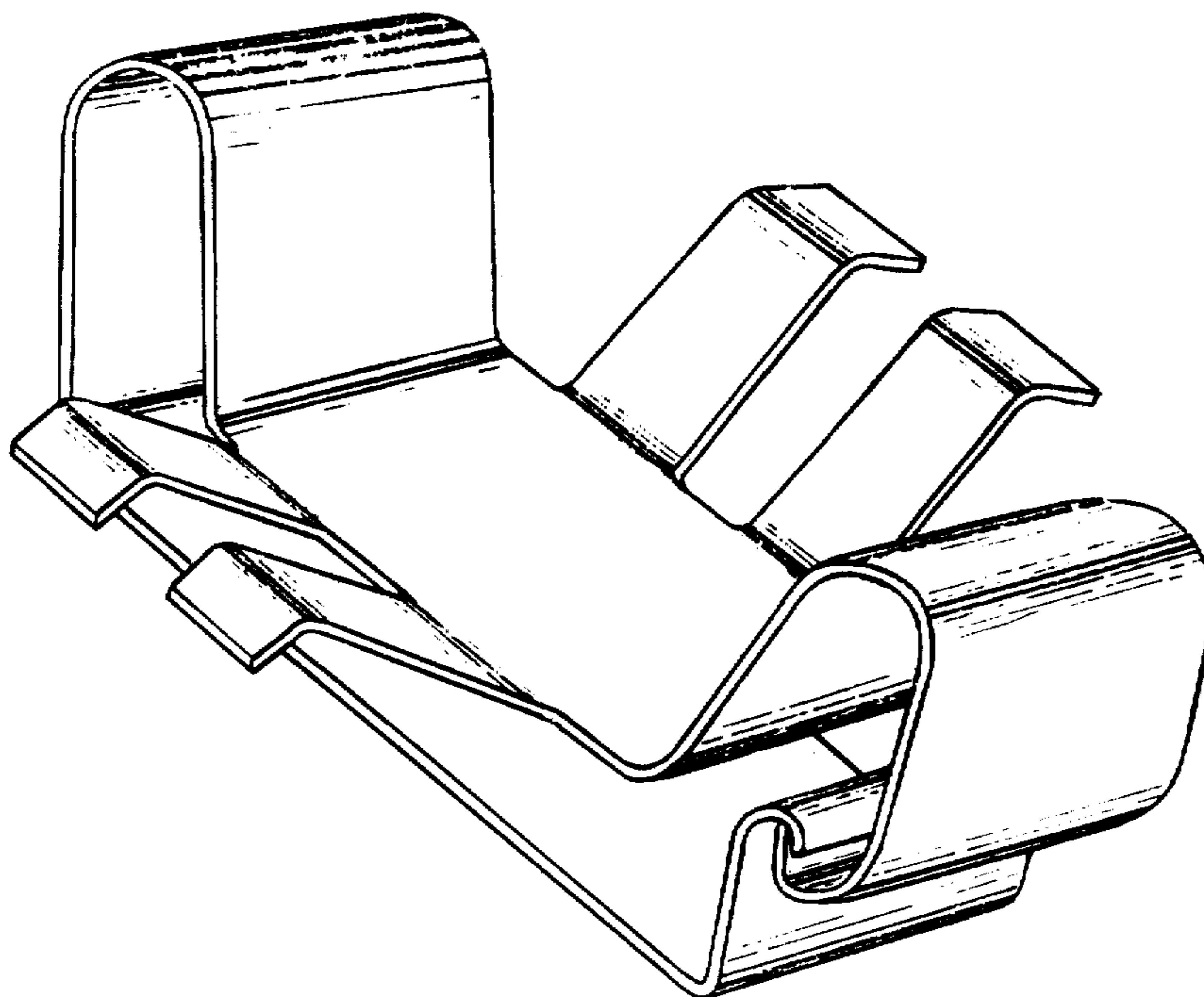
FIG. 4 is a bottom plan view thereof;

FIG. 5 is a rear elevational view thereof;

FIG. 6 is a side elevational view thereof, looking toward the right side thereof as it is shown in FIGS. 1 and 2;

FIG. 7 is a side elevational view thereof, looking toward the left side thereof as it is shown in FIGS. 1 and 2; and

FIG. 8 is a perspective view thereof in an opened and unfastened condition, on the same scale as in FIG. 1.



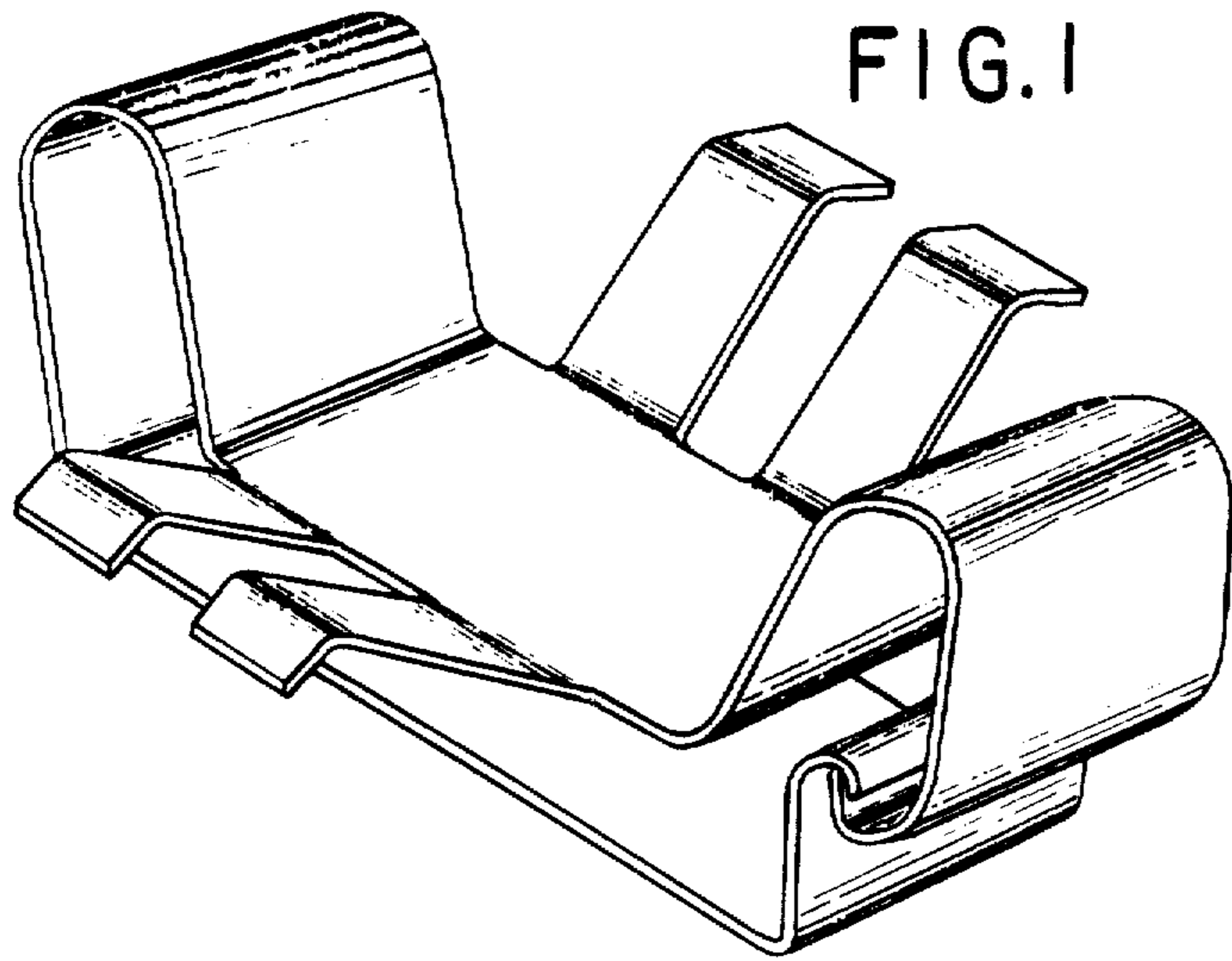


FIG. 1

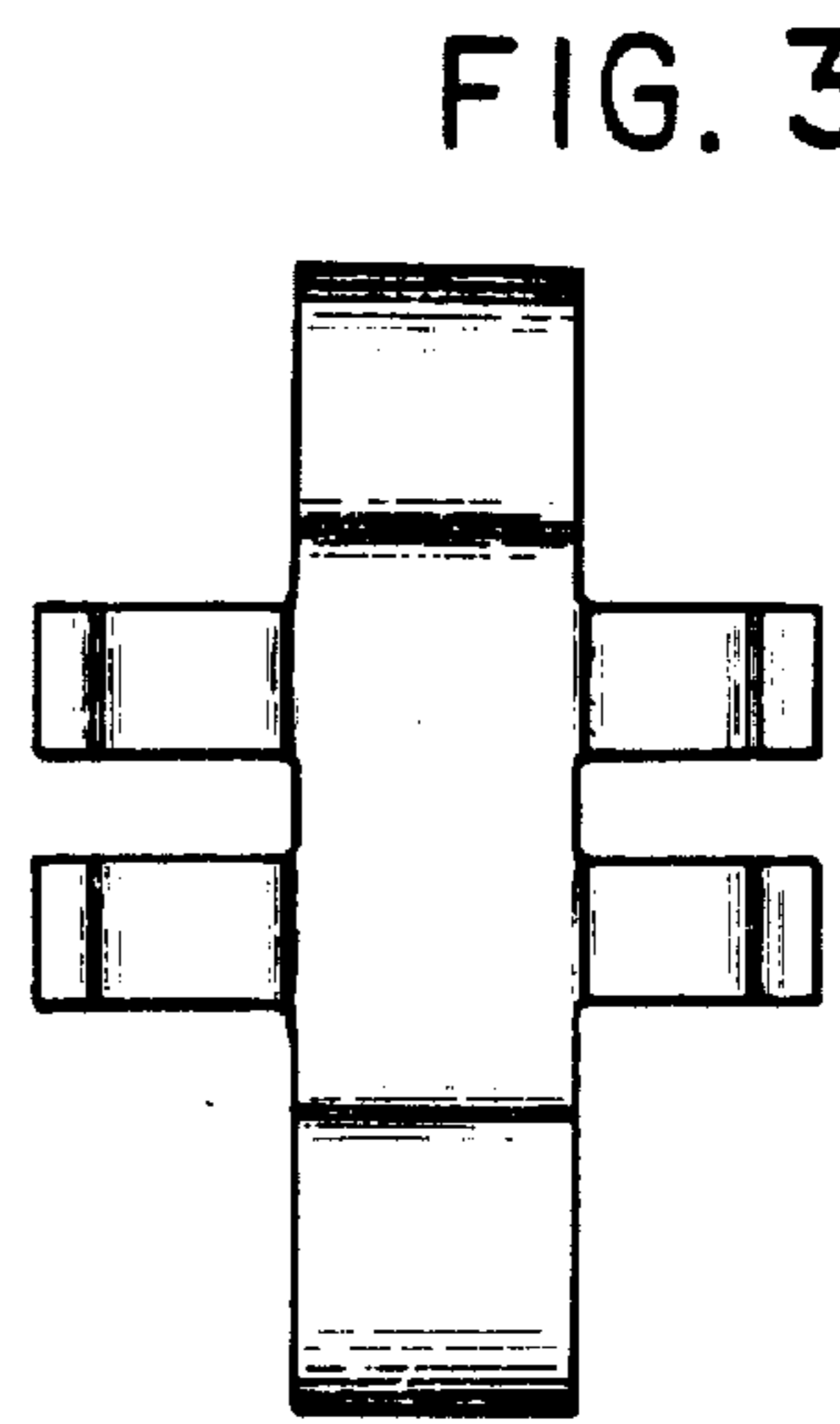


FIG. 3

FIG. 2

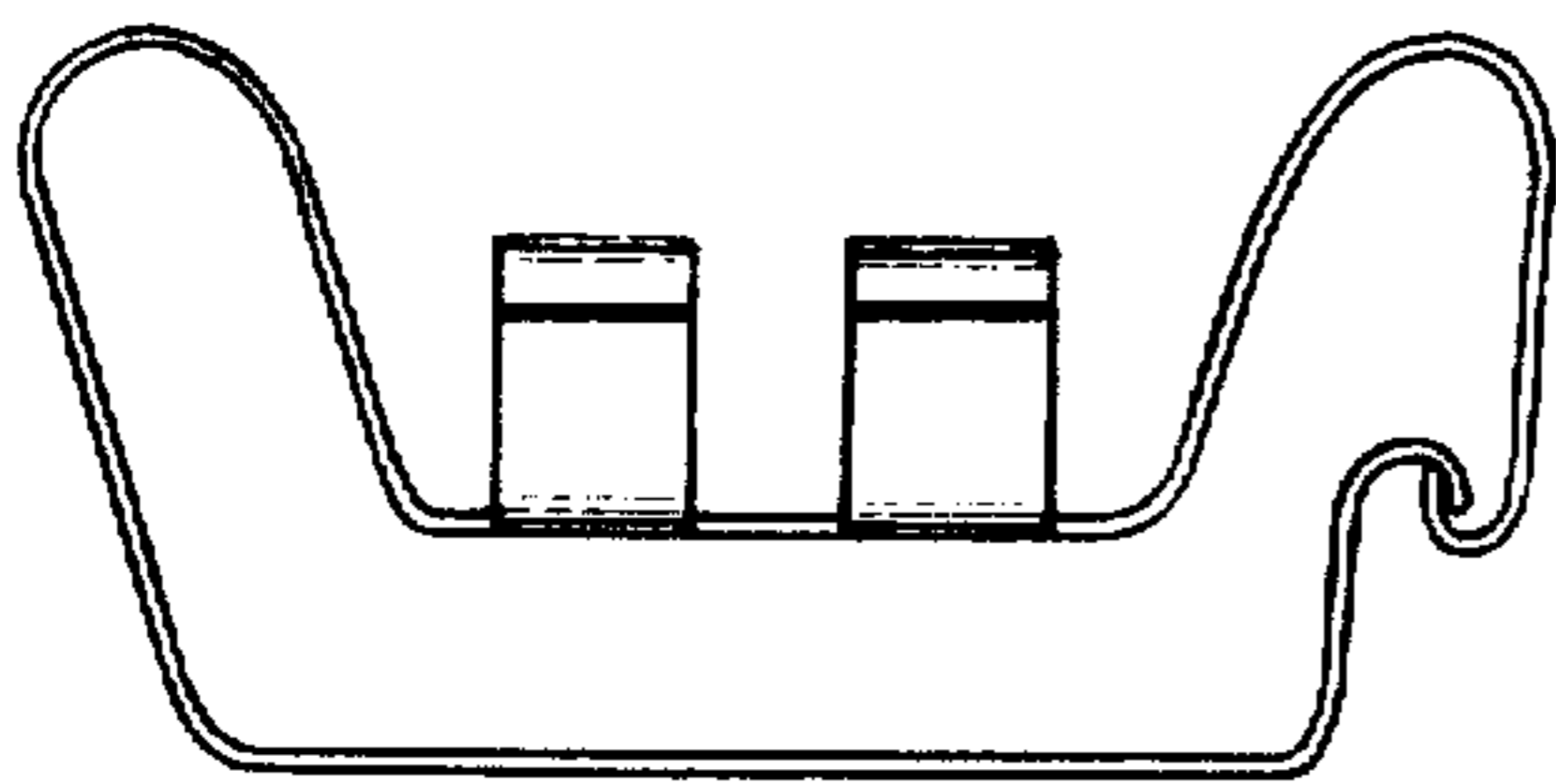


FIG. 6

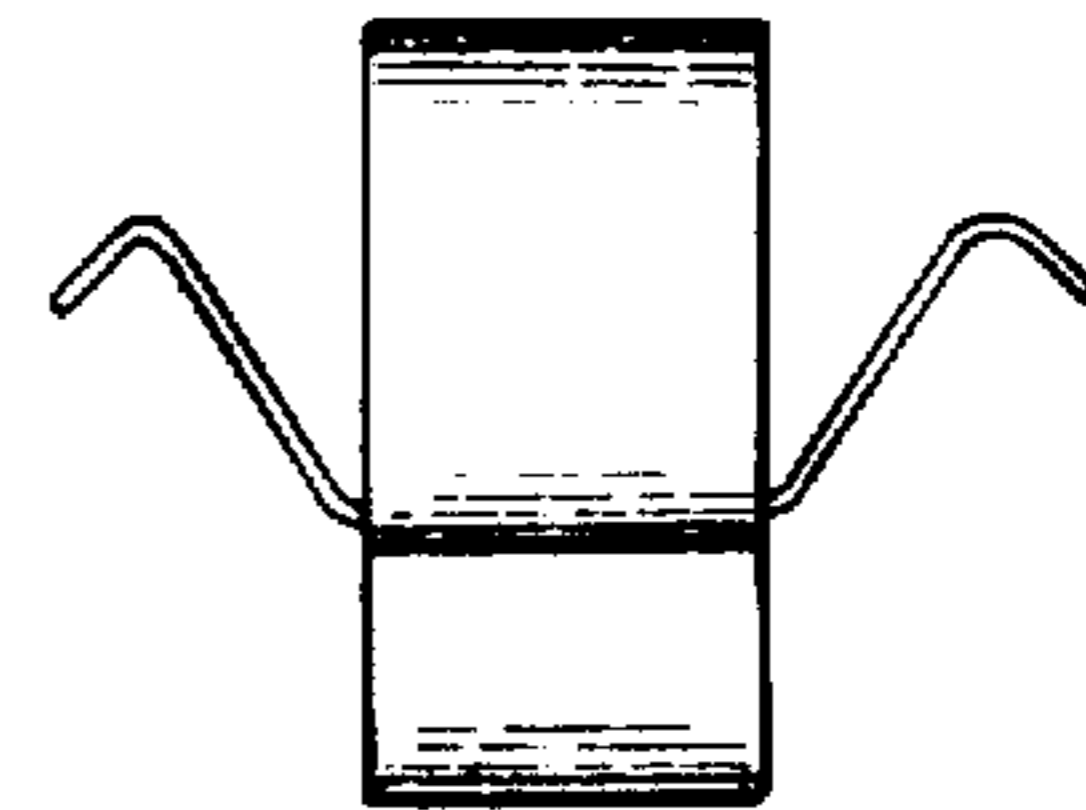


FIG. 5

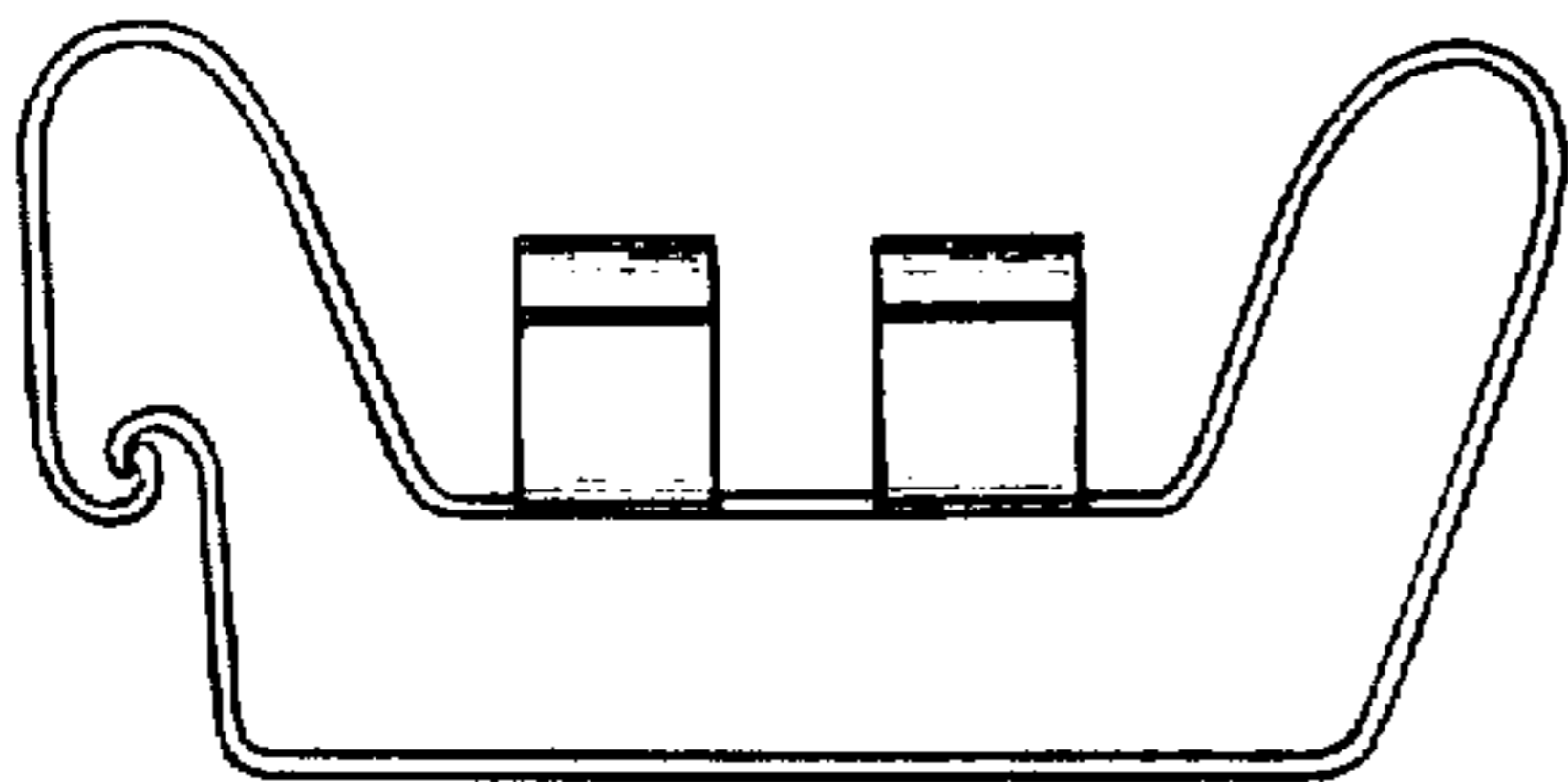


FIG. 7

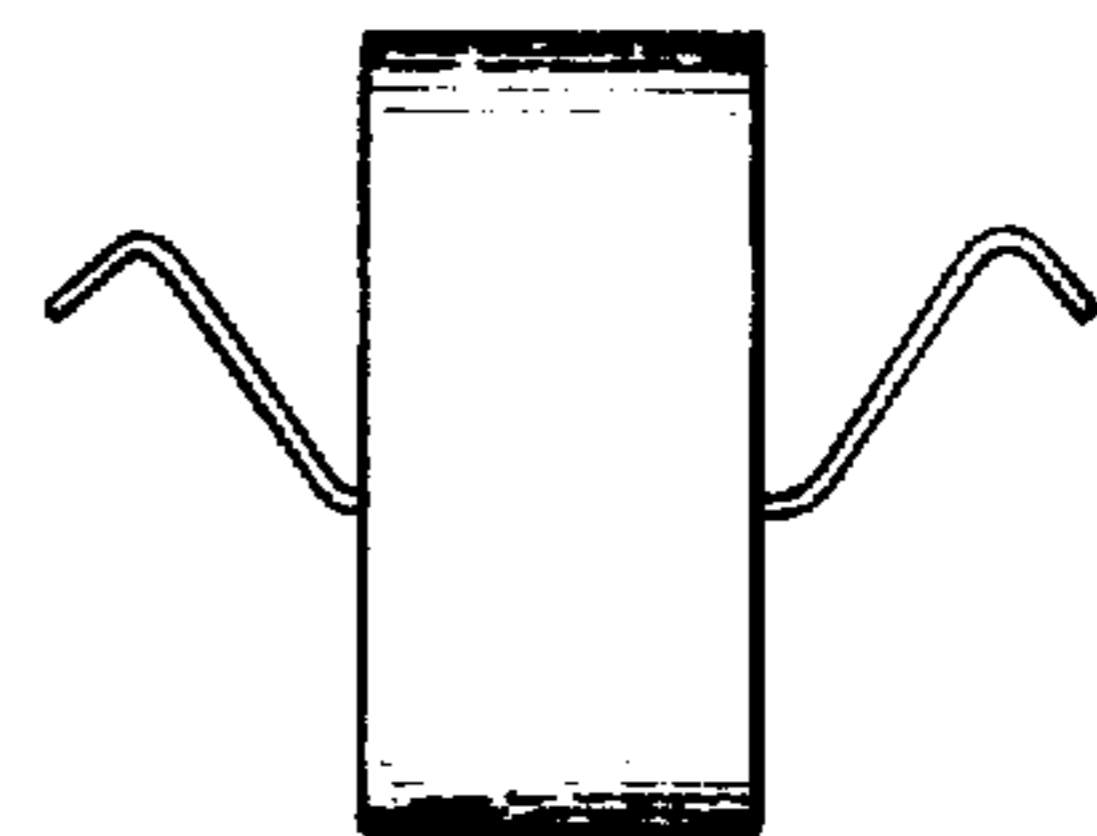


FIG. 8

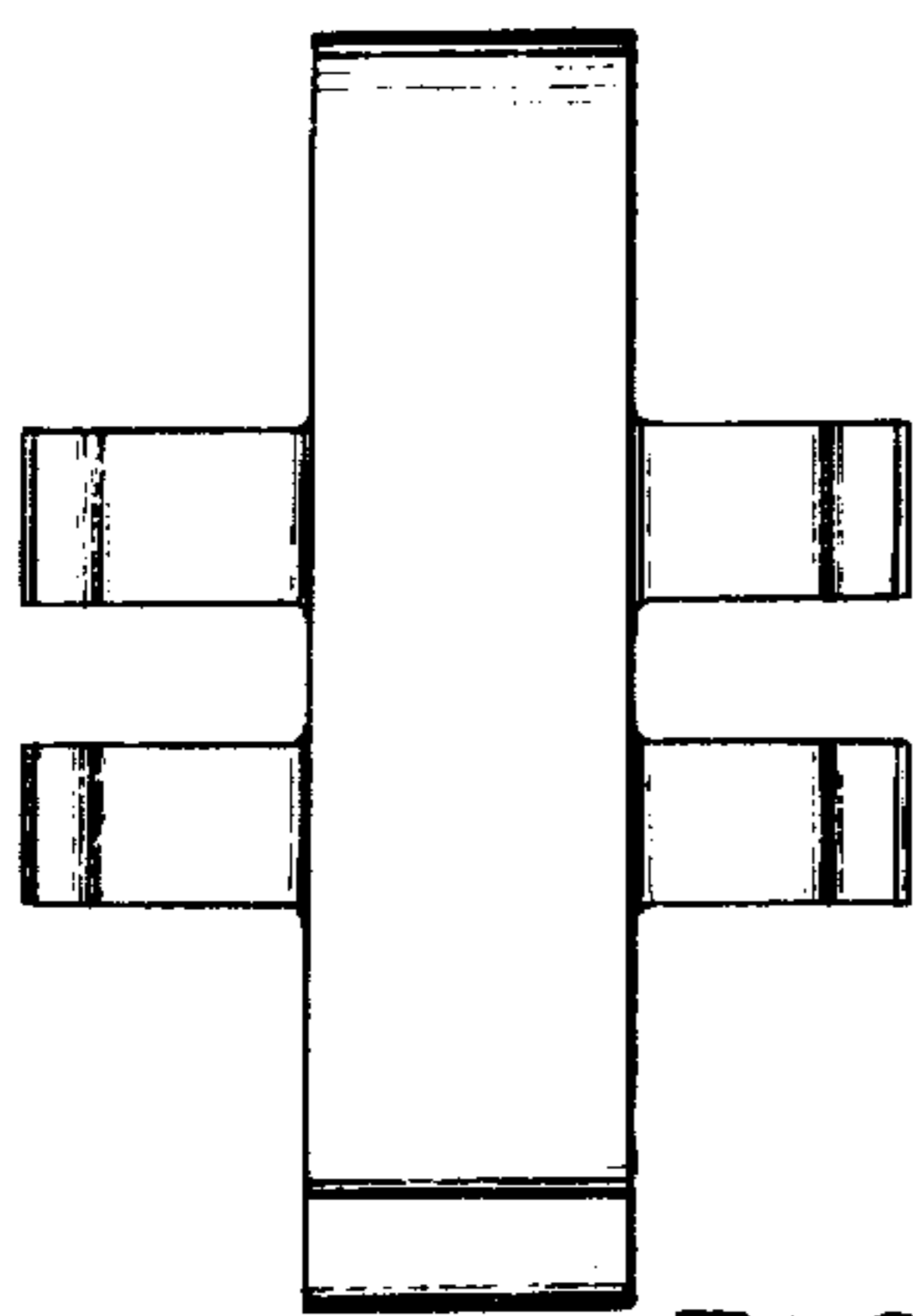


FIG. 4

