

- [54] TIRE
- [75] Inventors: Philip S. Hammond, Akron; Charles G. Yurkovich, Boardman, both of Ohio
- [73] Assignee: The Goodyear Tire & Rubber Company, Akron, Ohio
- [**] Term: 14 Years
- [21] Appl. No.: 178,147
- [22] Filed: Aug. 14, 1980
- [51] Int. Cl. D12-15
- [52] U.S. Cl. D12/147
- [58] Field of Search D12/134, 141-143, D12/146-151; 152/209 R, 209 NT, 209 WT, 209 D

3,945,871 3/1976 Schelkman D12/147

OTHER PUBLICATIONS

Modern Tire Dealer, 6/26/79, p. 72, Yokohama 745B Tire, top left side of page.
 Tread Design Guide 1979, p. 147, Dunlop Sp. 411 Steel Radial, top left side of page.

Primary Examiner—James M. Gandy
 Attorney, Agent, or Firm—Frank Pincelli

[57] CLAIM

The ornamental design for a tire, substantially as shown and described.

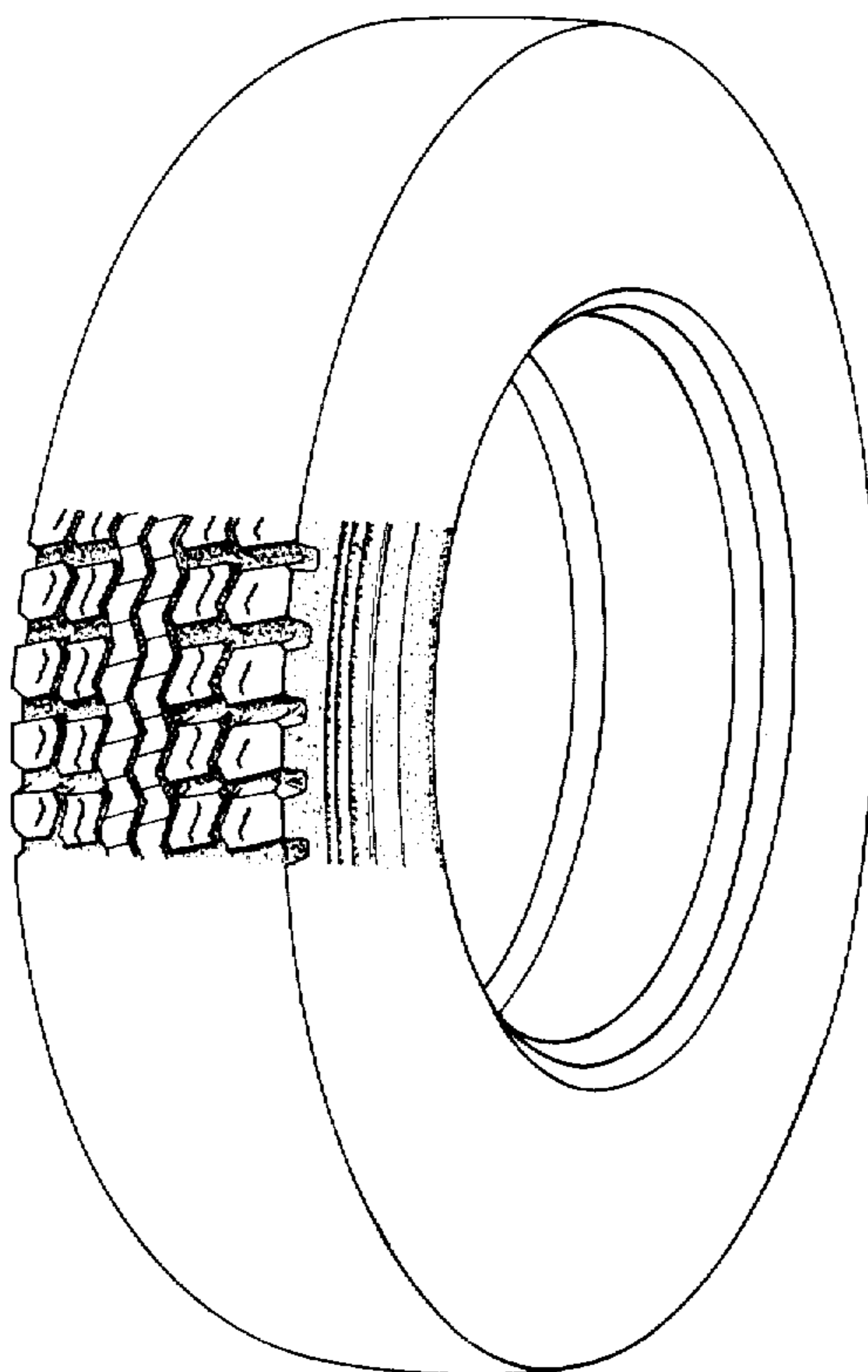
DESCRIPTION

FIG. 1 is a perspective view of a tire showing our design it being understood that the tread pattern is repeated throughout the circumference of the tire, as shown schematically by solid lines, the opposite side being substantially the same as that shown.

FIG. 2 is a front elevation view thereof.

FIG. 3 is a side elevation view thereof.

- [56] References Cited
- U.S. PATENT DOCUMENTS
- D. 215,525 9/1969 Brown et al. D12/142
- D. 256,228 8/1980 Robertson D12/143



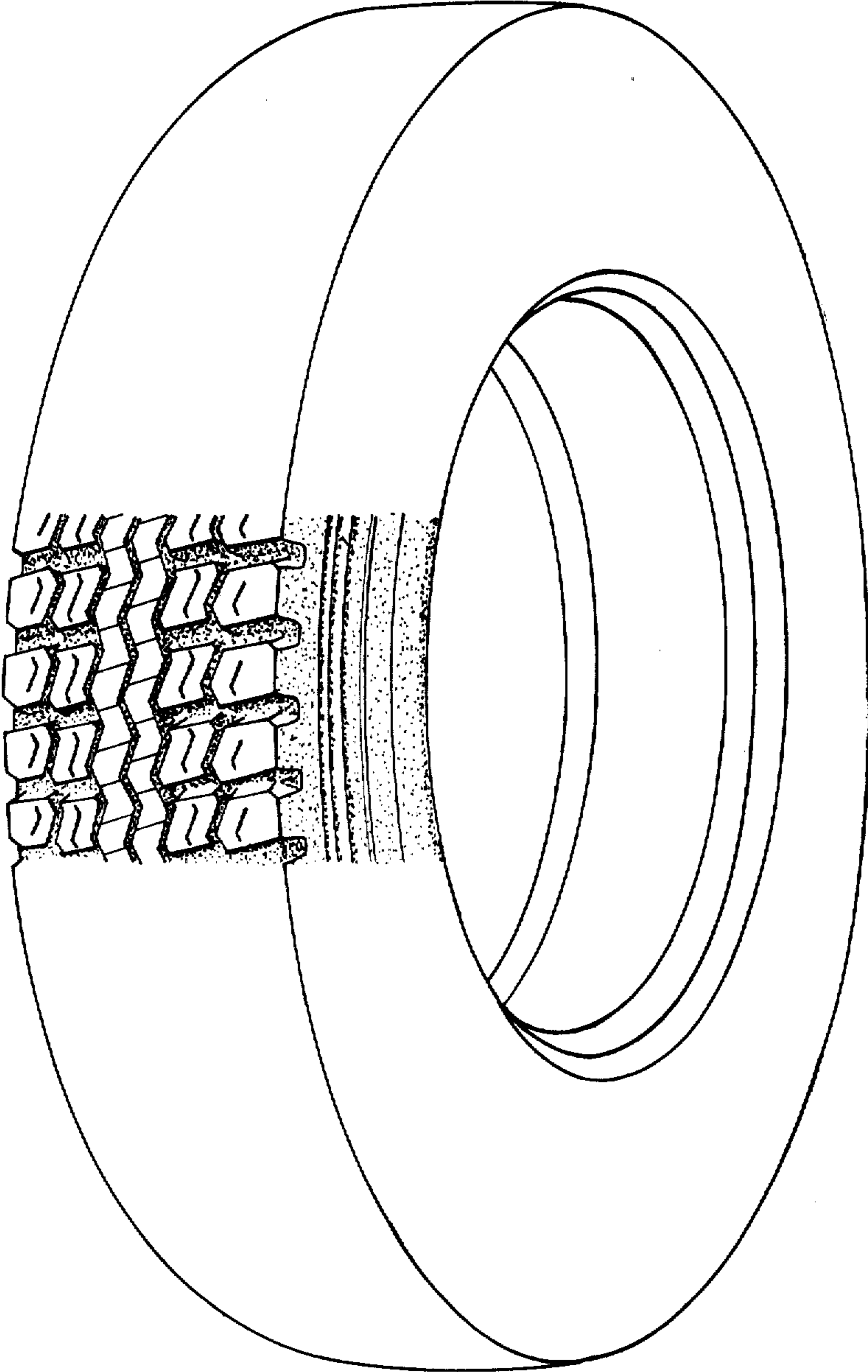


FIG. 1

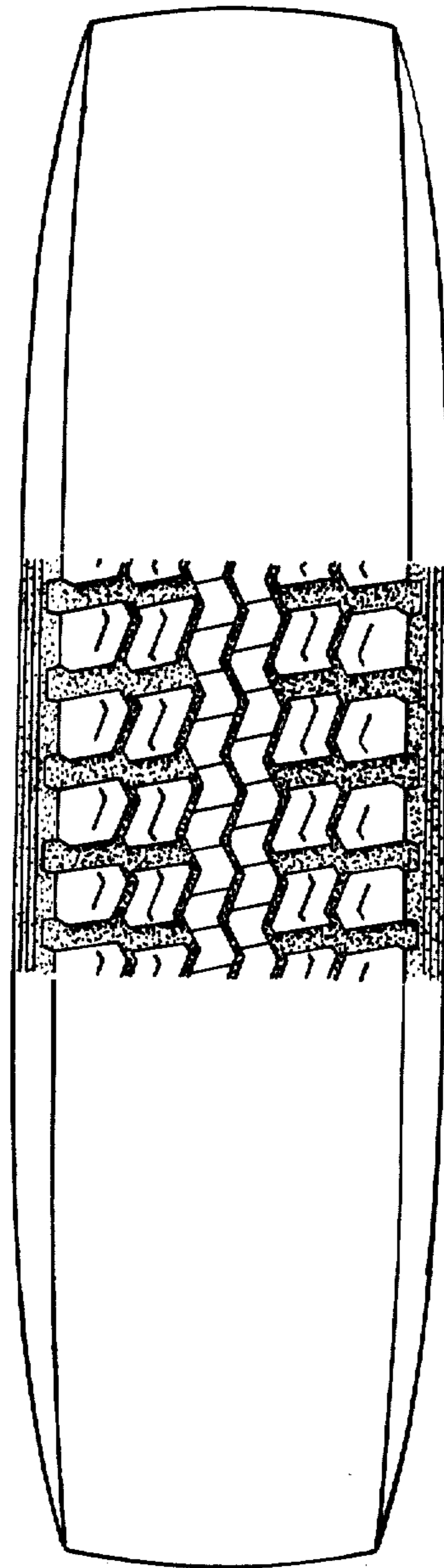


FIG. 2

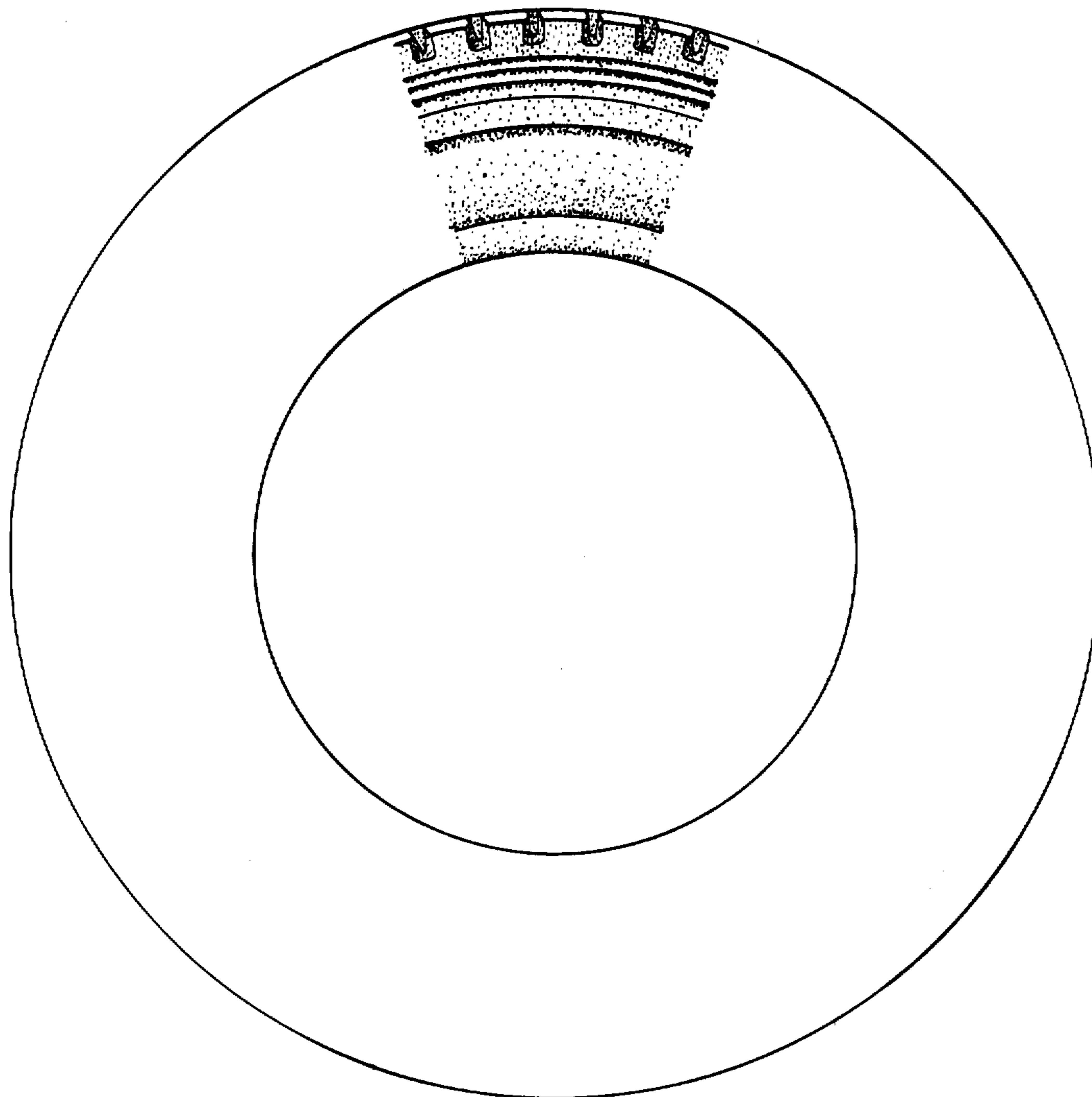


FIG. 3