

[54] FINGER RING OR SIMILAR ARTICLE

[75] Inventors: Max Bogner, New York; Larry Grun, Rego Park, both of N.Y.

[73] Assignee: Four Stars Jewelry Corp., New York, N.Y.

[\*\*] Term: 14 Years

[21] Appl. No.: 120,737

[22] Filed: Feb. 12, 1980

[51] Int. Cl. .... D11-01

[52] U.S. Cl. .... D11/38; D11/39

[58] Field of Search .... D11/1-4, D11/26, 30, 34-39; 63/1 R-3, 15-15.8

[56] References Cited

U.S. PATENT DOCUMENTS

- D. 61,573 10/1922 Herzog ..... D11/38
- D. 126,085 3/1941 Bauernfeind ..... D11/38
- D. 159,656 8/1950 Linden ..... D11/38

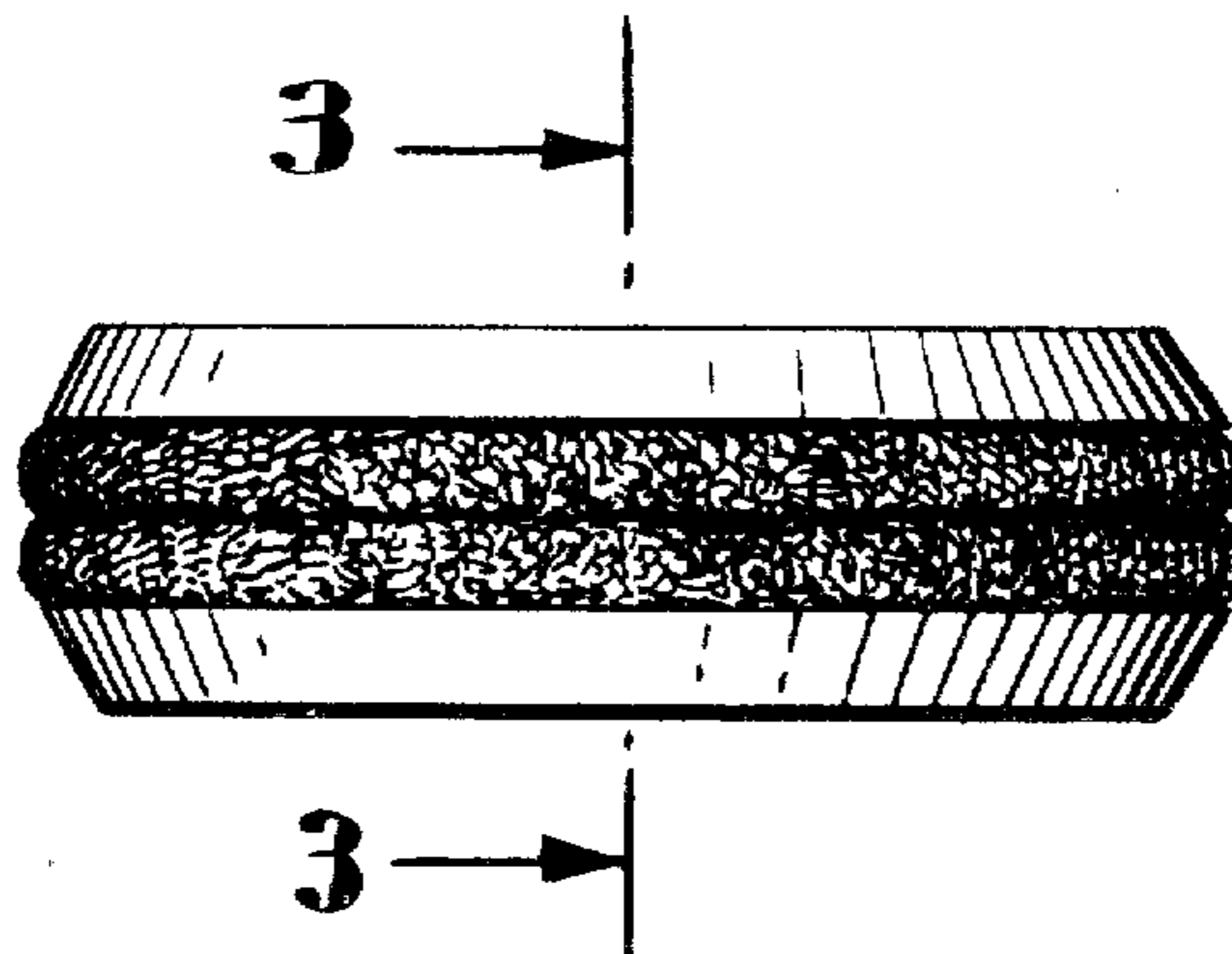
Primary Examiner—Louis S. Zarfes  
Attorney, Agent, or Firm—Charles E. Temko

[57] CLAIM

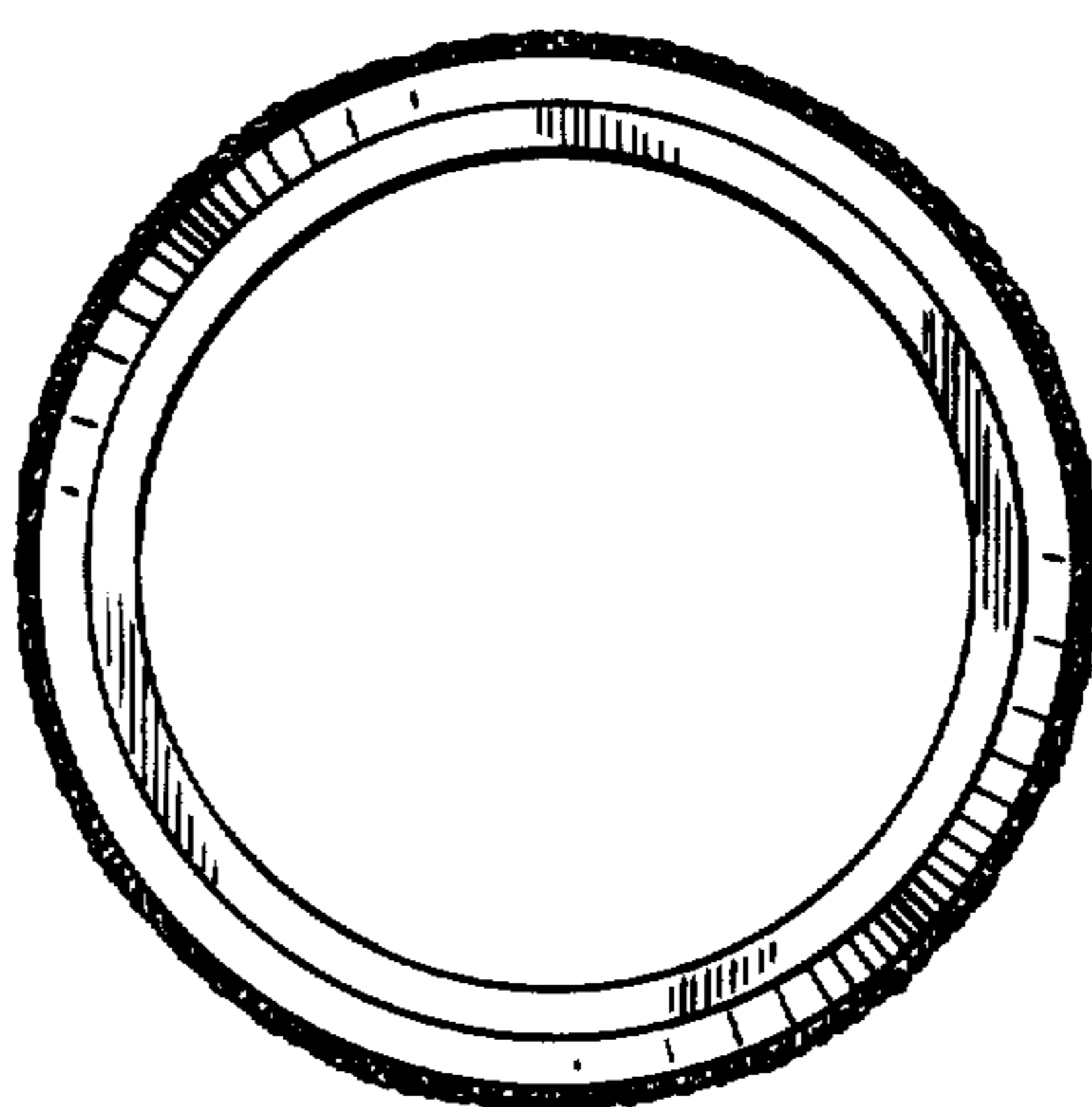
The ornamental design for a finger ring or similar article, substantially as shown and described.

DESCRIPTION

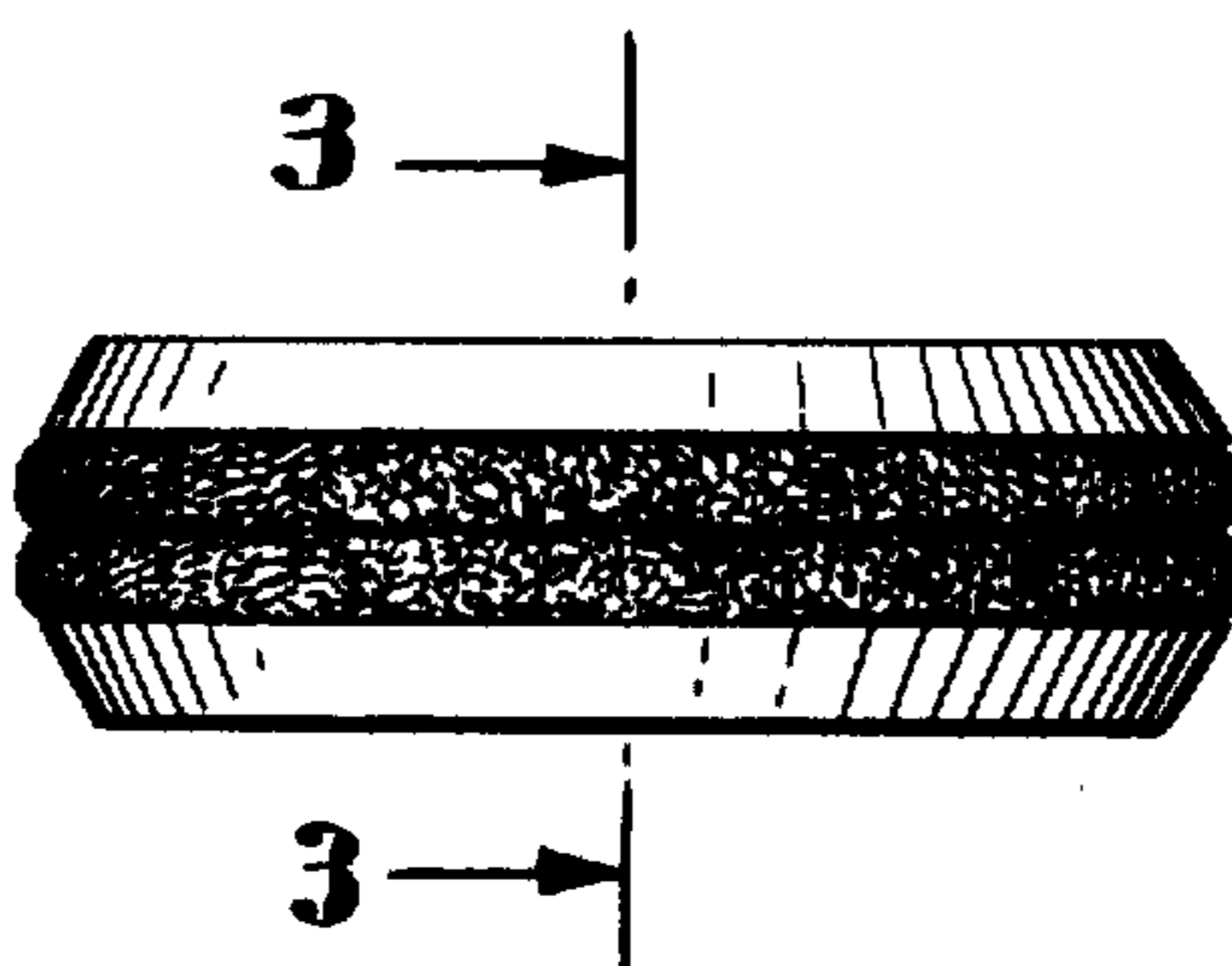
FIG. 1 is an end elevational view of a finger ring or similar article, showing our new design; FIG. 2 is a side elevational view thereof; and FIG. 3 is an enlarged sectional view thereof, as seen from the plane 3-3 in FIG. 2.



*FIG. 1*



*FIG. 2*



*FIG. 3*

