

[54] **POURING SPOUT ATTACHMENT FOR A PAINT CAN OR SIMILAR ARTICLE**

2,881,952 4/1959 Dungey 220/90.2
3,252,635 5/1966 Rosenhan 220/90

[76] Inventor: **James C. Fowkes**, 6060 Briggs Lake Dr., Brighton, Mich. 48116

Primary Examiner—George P. Word
Assistant Examiner—Carmen H. Vales
Attorney, Agent, or Firm—James M. Deimen

[**] Term: **14 Years**

[57] **CLAIM**

[21] Appl. No.: **46,005**

The ornamental design for a pouring spout attachment for a paint can or similar article, as shown and described.

[22] Filed: **Jun. 6, 1979**

[51] Int. Cl. **D09—07**

[52] U.S. Cl. **D9/447**

[58] Field of Search D9/253, 254, 290, 434, D9/435, 447, 499; 220/85 SP, 90, 90.2, 90.4, 90.6; 222/566, 569, 570, 571; D7/17, 20, 68, 59

DESCRIPTION

[56] **References Cited**

U.S. PATENT DOCUMENTS

D. 91,624 2/1934 Hellmann D7/59
2,069,089 1/1937 Goldman et al. D7/59 X
2,075,721 3/1937 Hommel 220/90.6

FIG. 1 is a top plan view of a pouring spout attachment for a paint can or similar article showing my new design;
FIG. 2 is a right end elevational view thereof, the opposite end being substantially a mirror image thereof;
FIG. 3 is a bottom plan view thereof; and,
FIG. 4 is a front elevational view thereof, the rear elevational view being substantially a mirror image thereof.

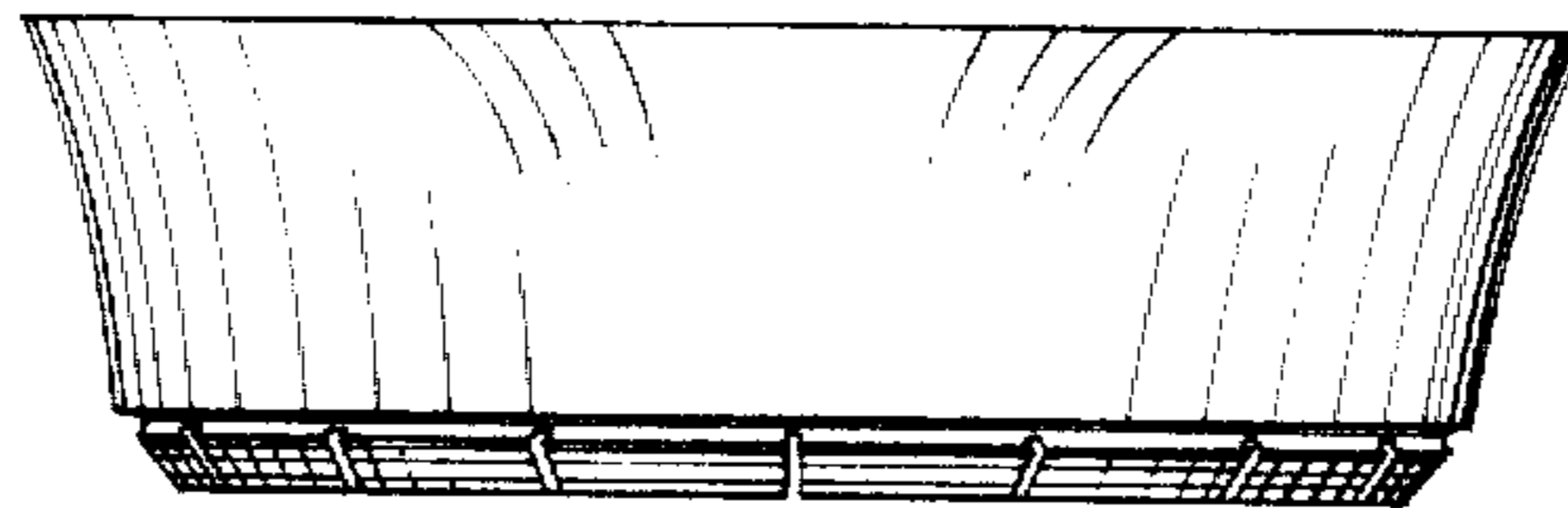
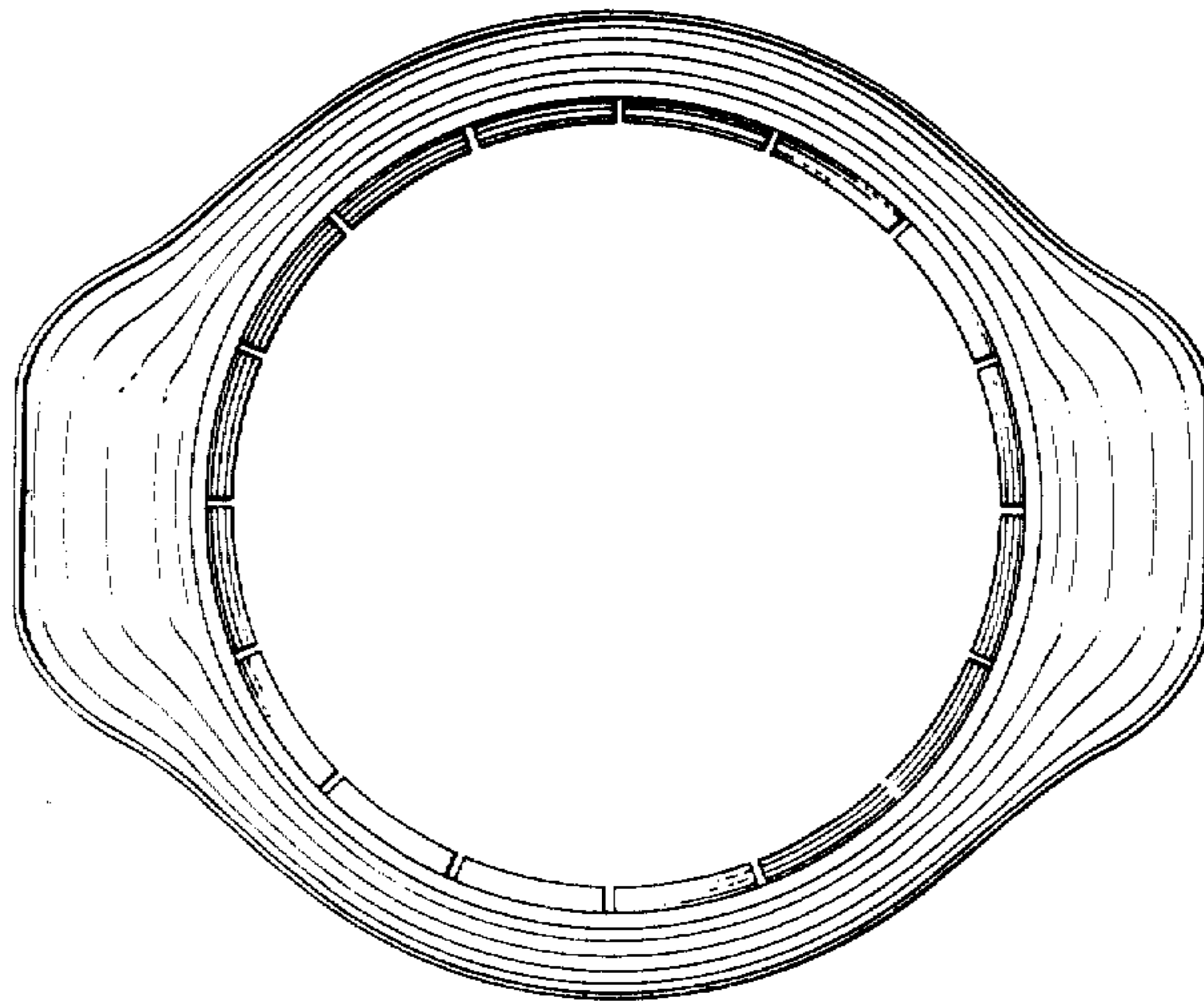


FIG. 1

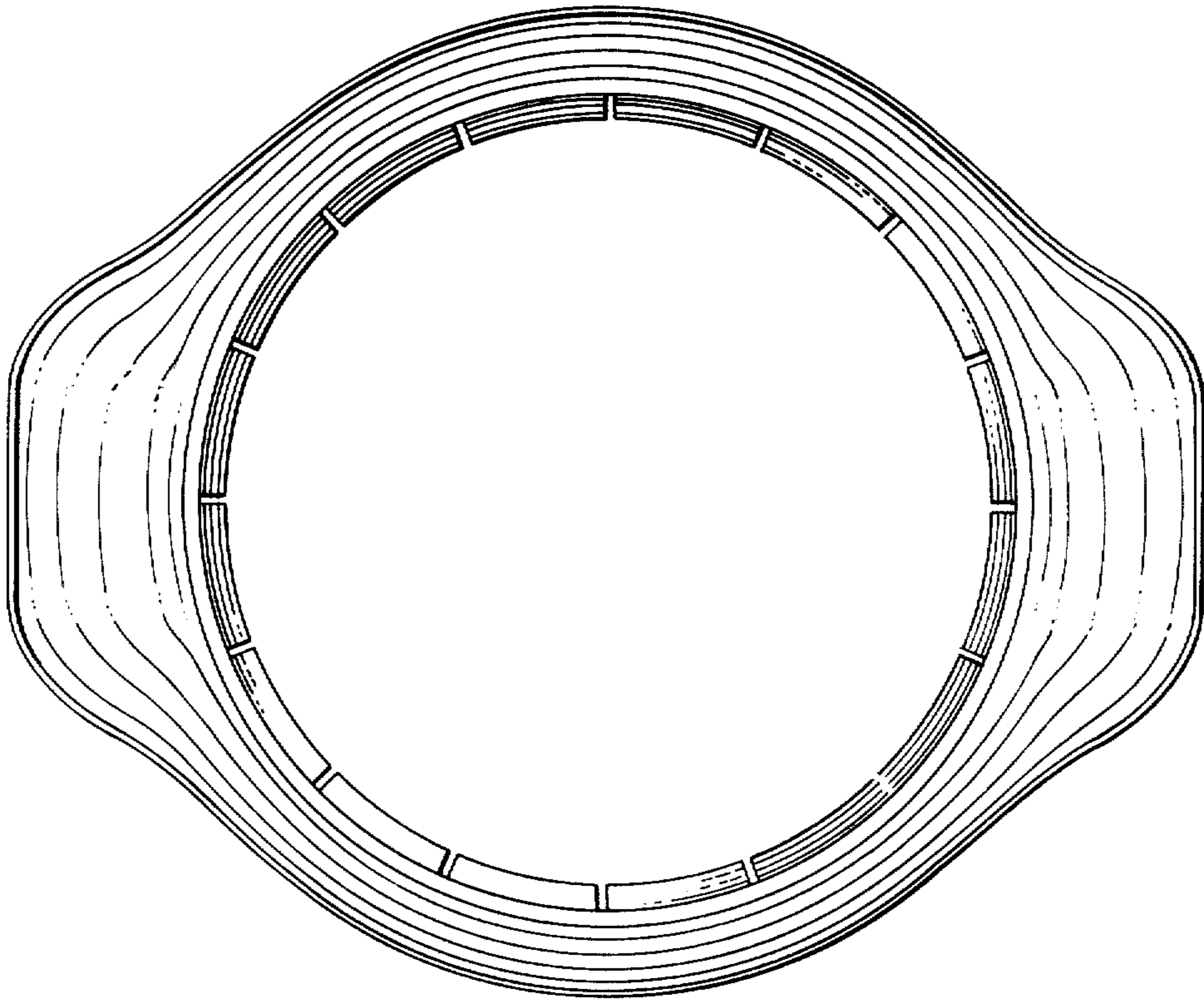


FIG. 2

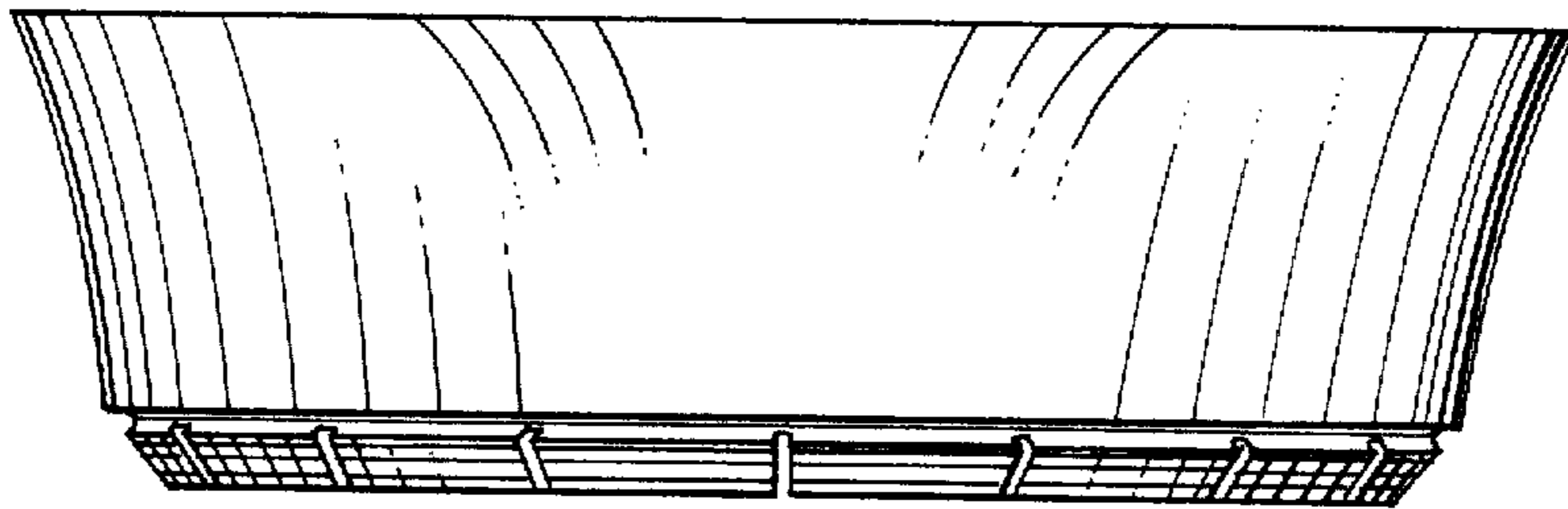


FIG. 3

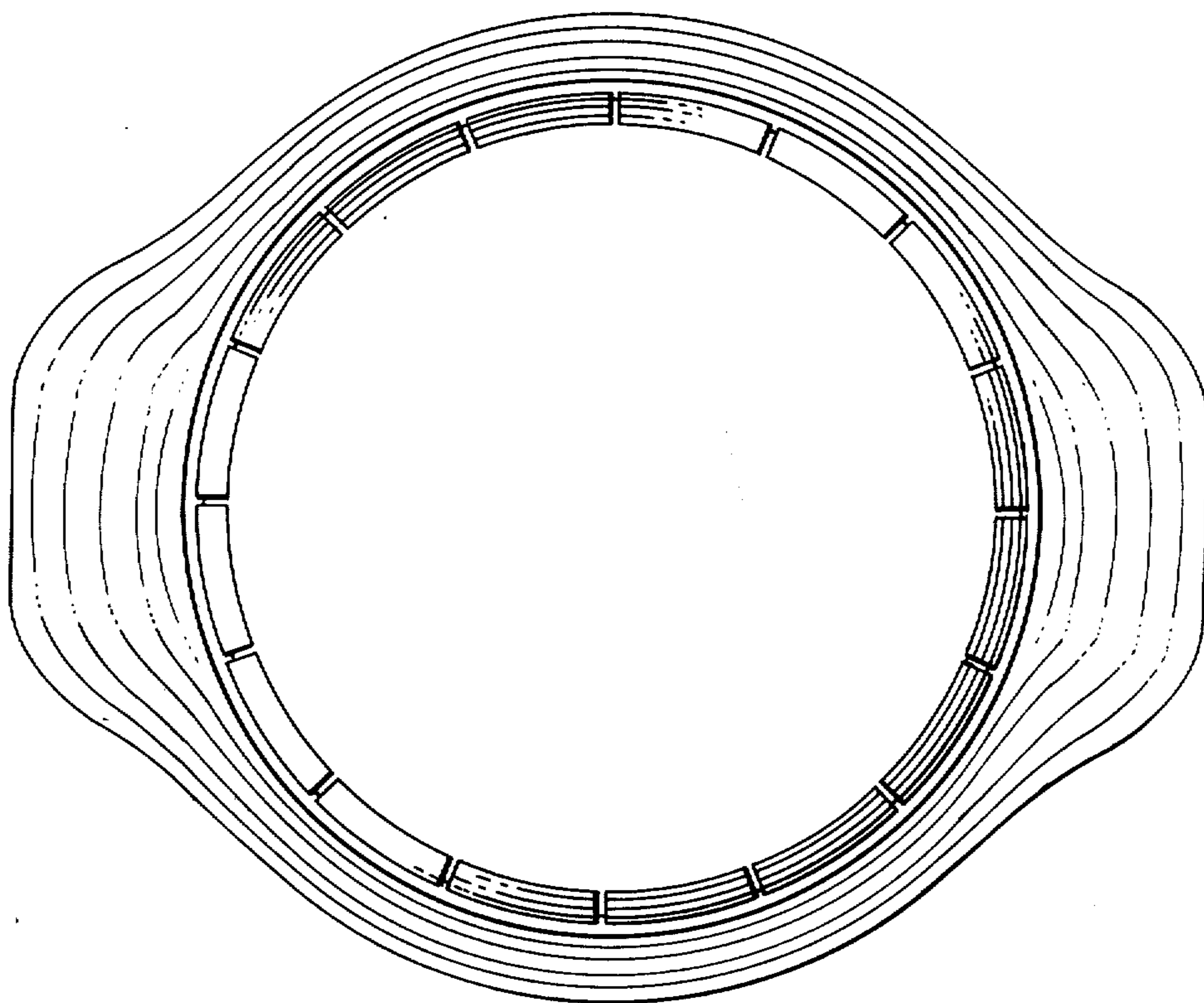


FIG. 4

