

[54] POURING ATTACHMENT FOR A PAINT CAN

[76] Inventor: Richard A. Wedge, 11927 Venice Blvd., #4, Los Angeles, Calif. 90066

[**] Term: 14 Years

[21] Appl. No.: 955,512

[22] Filed: Oct. 27, 1978

[51] Int. Cl. D09-99

[52] U.S. Cl. D9/435

[58] Field of Search D9/253, 289, 290, 294, D9/100, 101, 102, 104, 105, 106, 107, 108, 109, 110, 111, 112, 113, 114, 115, 116, 117, 118, 435; 220/4 A, 90, 90.2, 90.4, 404; 229/43; 222/567, 570, 571

[56] References Cited

U.S. PATENT DOCUMENTS

- D. 155,717 10/1949 Kujawski, Jr. D9/118
- D. 251,110 2/1979 Braun D9/115
- 2,722,347 11/1955 Henke 222/570

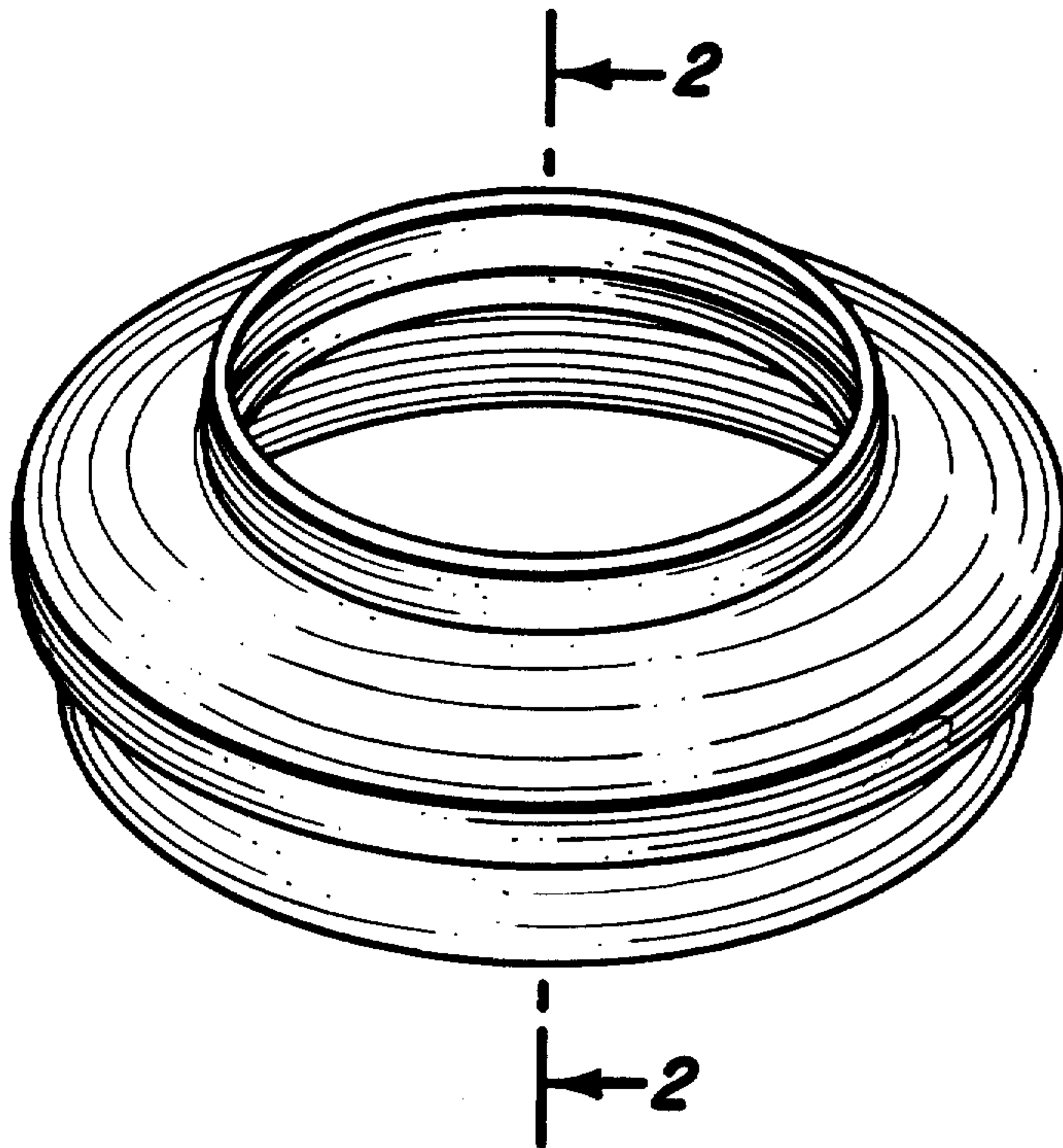
Primary Examiner—Joel Stearman
Assistant Examiner—Carmen H. Vales
Attorney, Agent, or Firm—Donald M. Cislo

[57] CLAIM

The ornamental design for a pouring attachment for a paint can, as shown and described.

DESCRIPTION

FIG. 1 is a perspective view of a pouring attachment for a paint can showing my new design; FIG. 2 is a sectional view taken along line 2-2 of FIG. 1; FIG. 3 is a side elevational view thereof; FIG. 4 is a top plan view thereof; and FIG. 5 is a bottom plan view thereof.



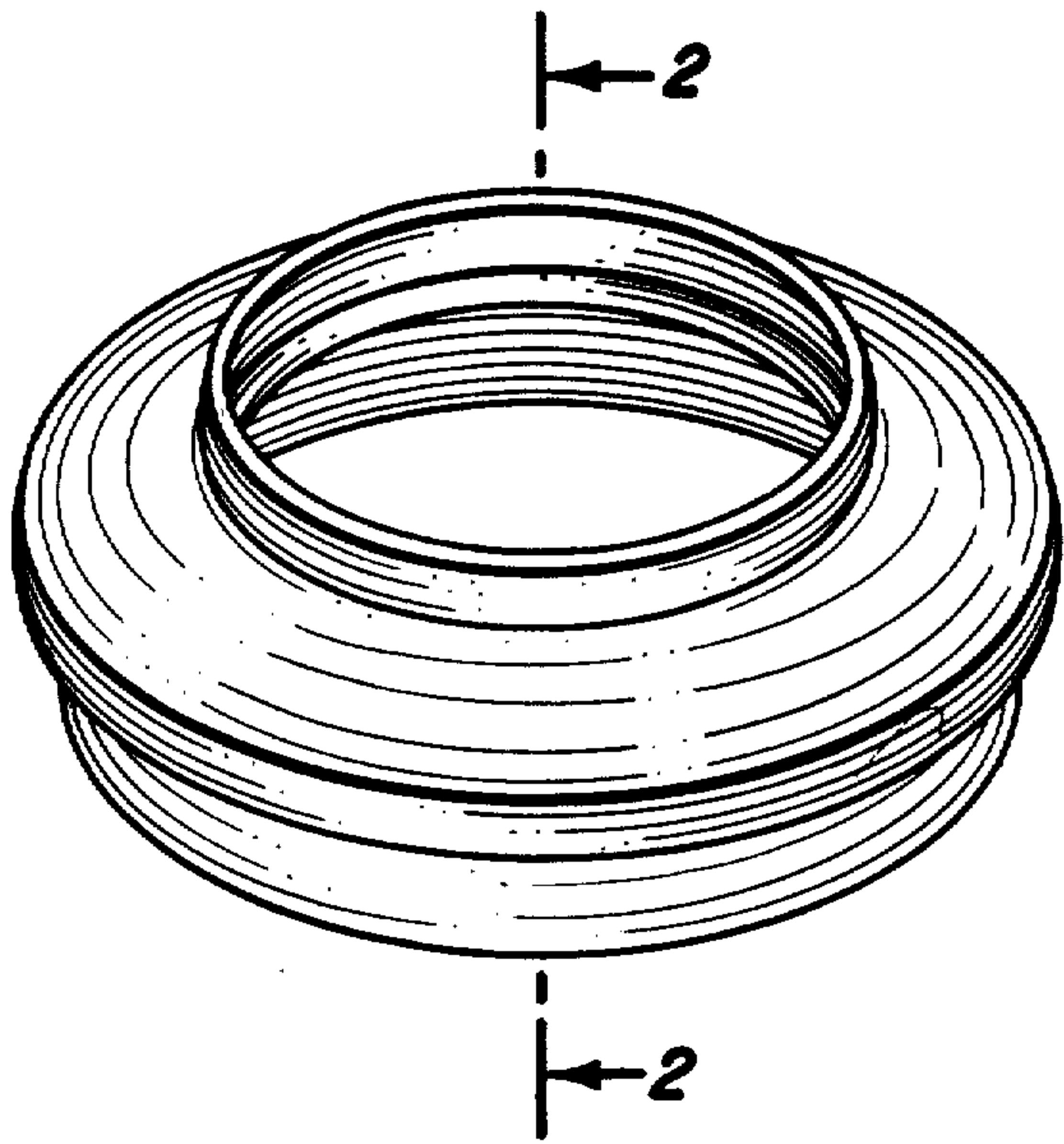


Fig. 1

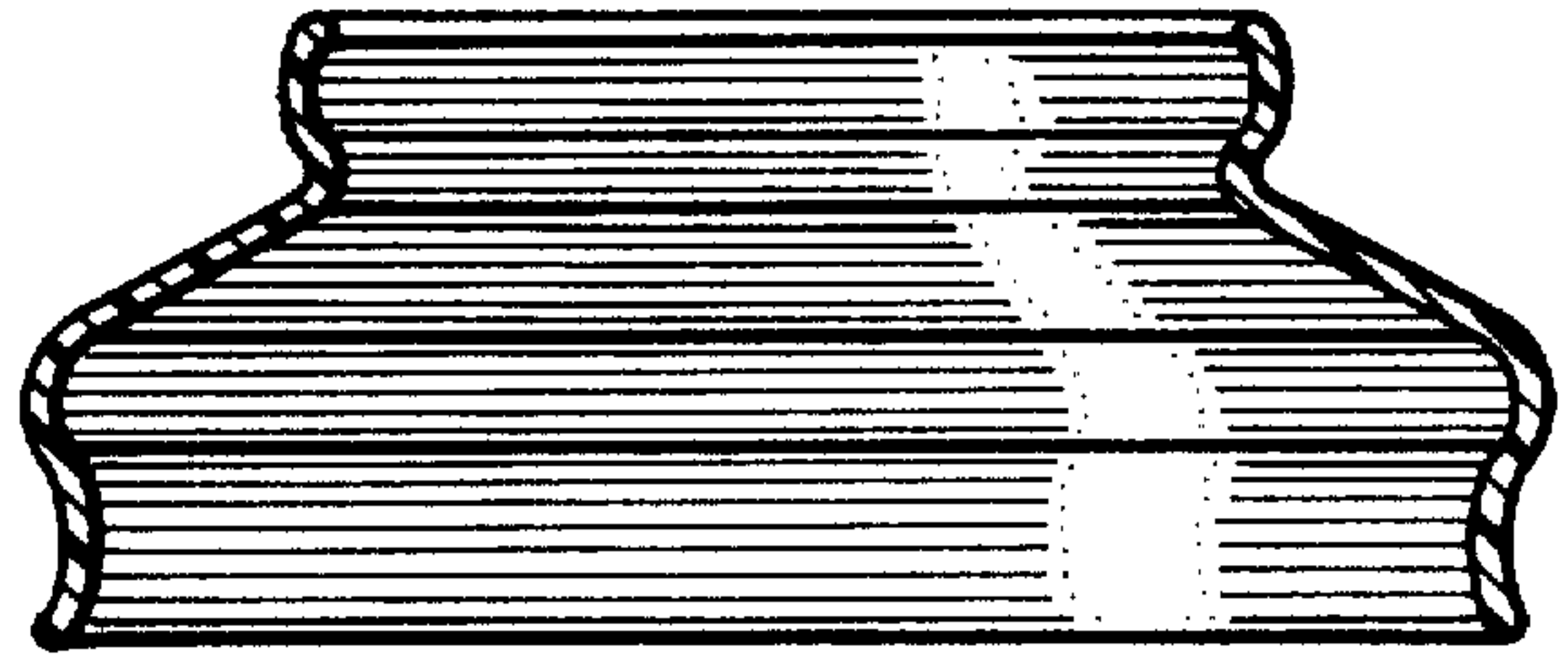


Fig. 2.

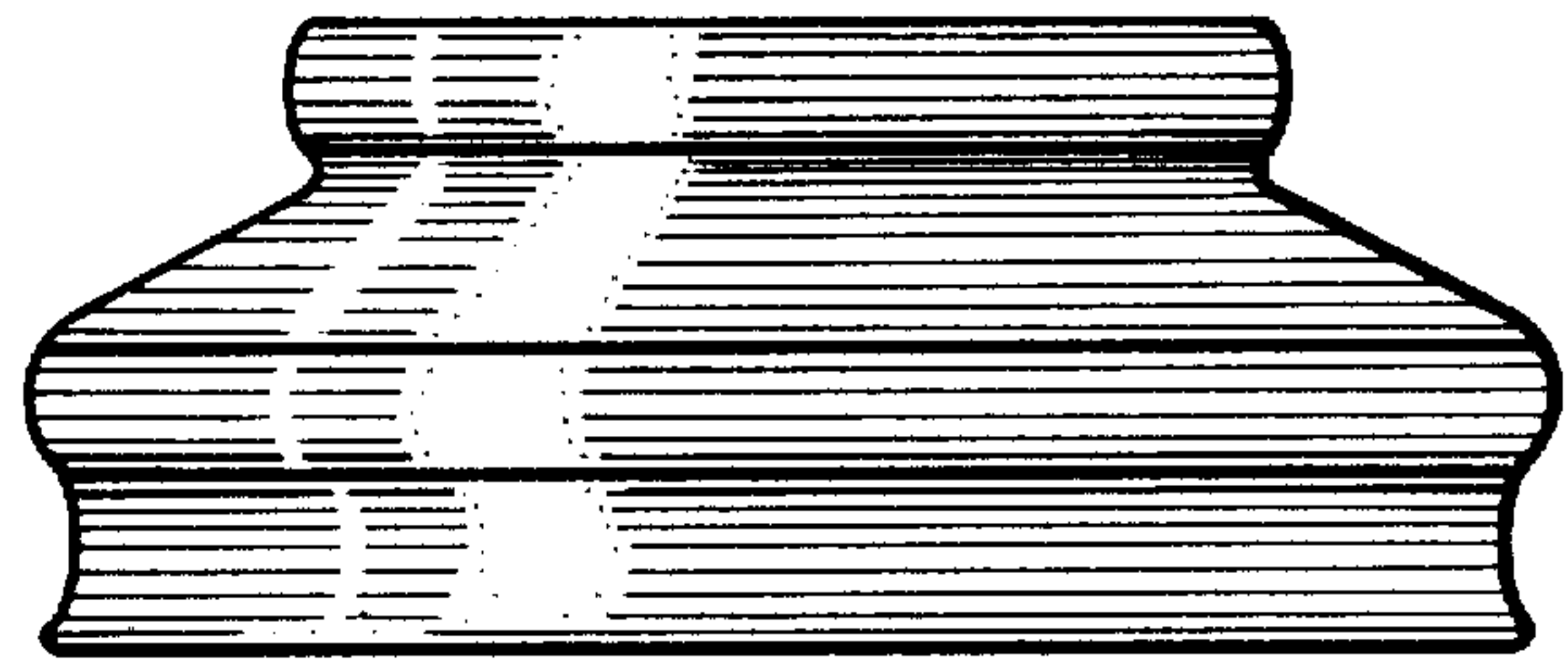


Fig. 3

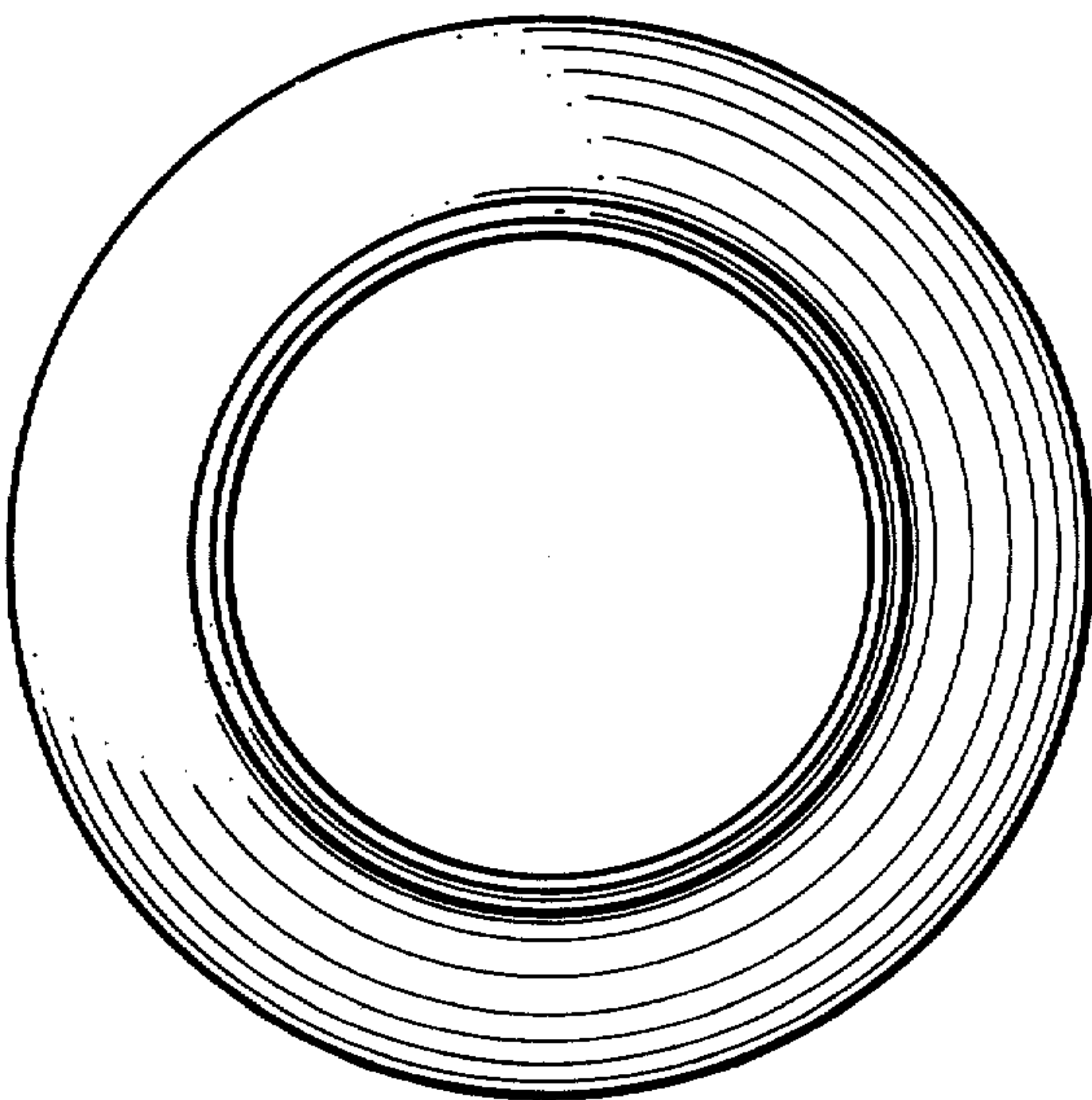


Fig. 4.

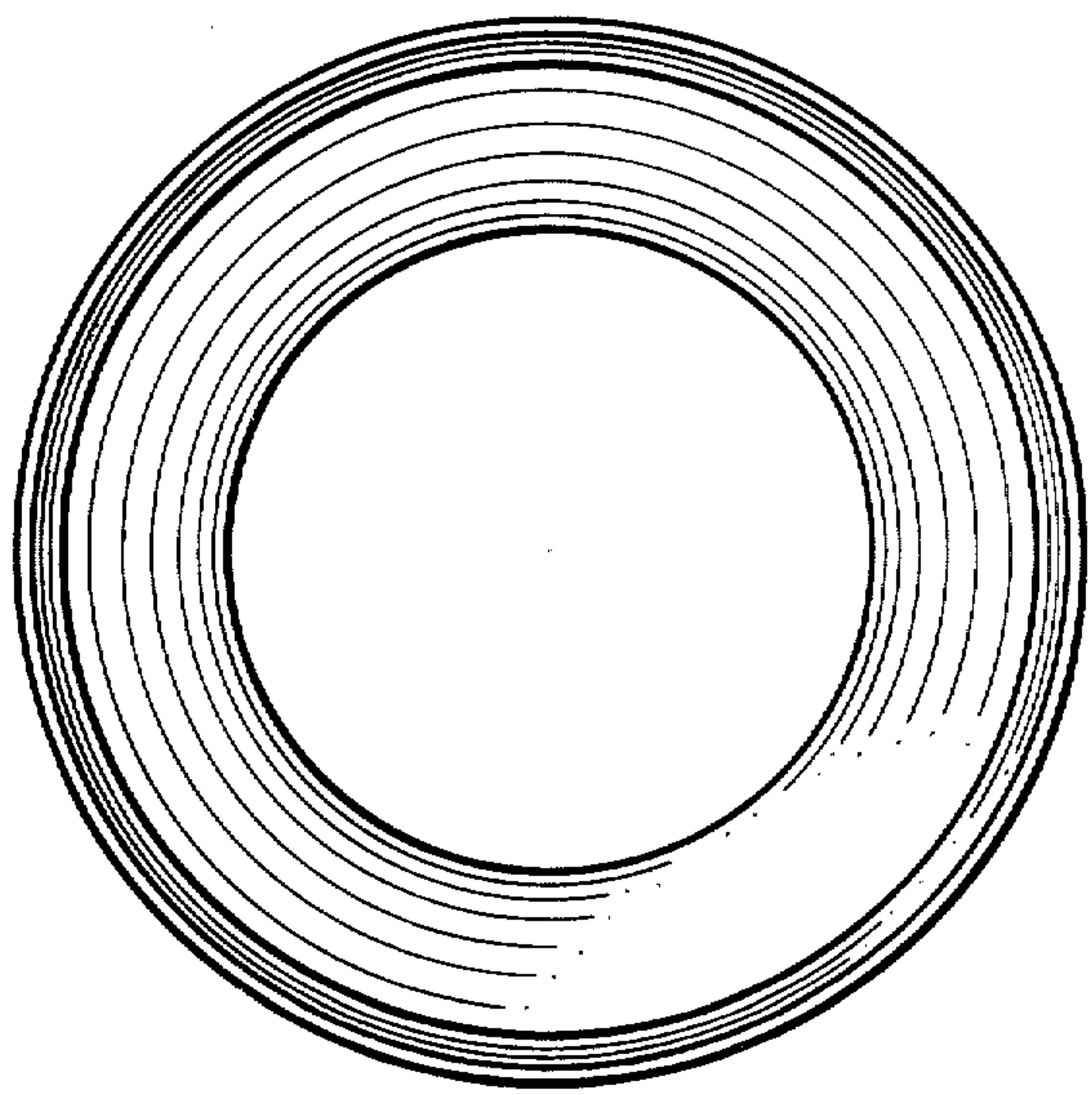


Fig. 5.