

[54] CONTAINER FOR FIRST AID ITEMS OR THE LIKE

[75] Inventor: **Randall H. Swatek**, Greenwich, Conn.

[73] Assignee: **Randail Swatek and David Romanoff Design, Inc.**, New York, N.Y.

[\*\*] Term: **14 Years**

[21] Appl. No.: **8,416**

[22] Filed: **Feb. 1, 1979**

[51] Int. Cl. .... **D9-03**

[52] U.S. Cl. .... **D9/307; D9/428**

[58] Field of Search ..... **D9/222-240; 206/438, 440, 441, DIG. 803, 570**

[56]

References Cited

U.S. PATENT DOCUMENTS

D. 56,306	9/1920	Philips	.....	D9/237
D. 152,555	2/1949	Millard	.....	D9/240
D. 163,648	6/1951	Smoot	.....	D9/239 X
D. 243,831	3/1977	Lehn	.....	D9/237 X
D. 247,064	1/1978	Spiegelberg	.....	206/441 X

Primary Examiner—Robert C. Spangler  
Attorney, Agent, or Firm—Leon E. Tenenbaum

[57]

CLAIM

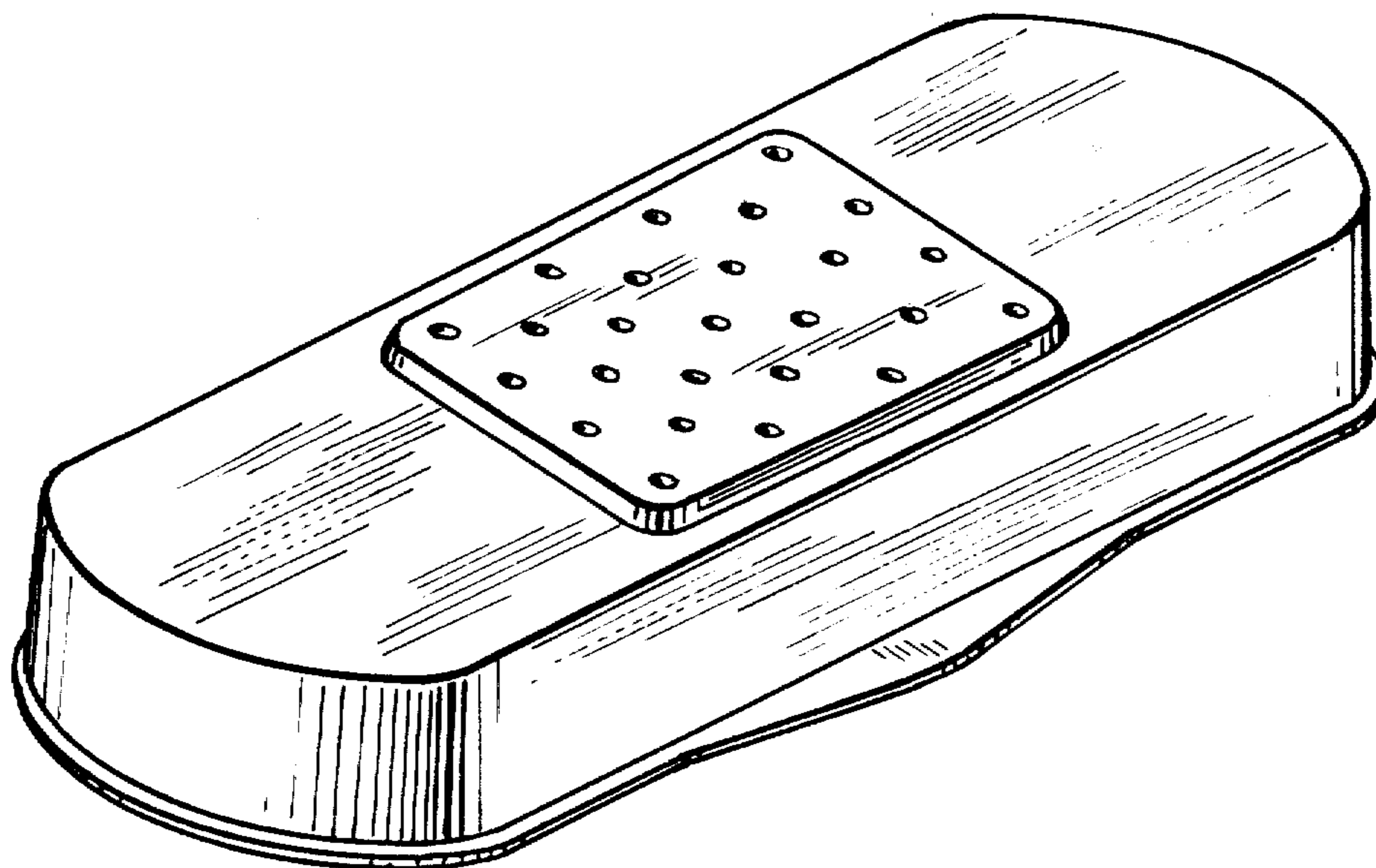
The ornamental design for a container for first aid items or the like, as shown and described.

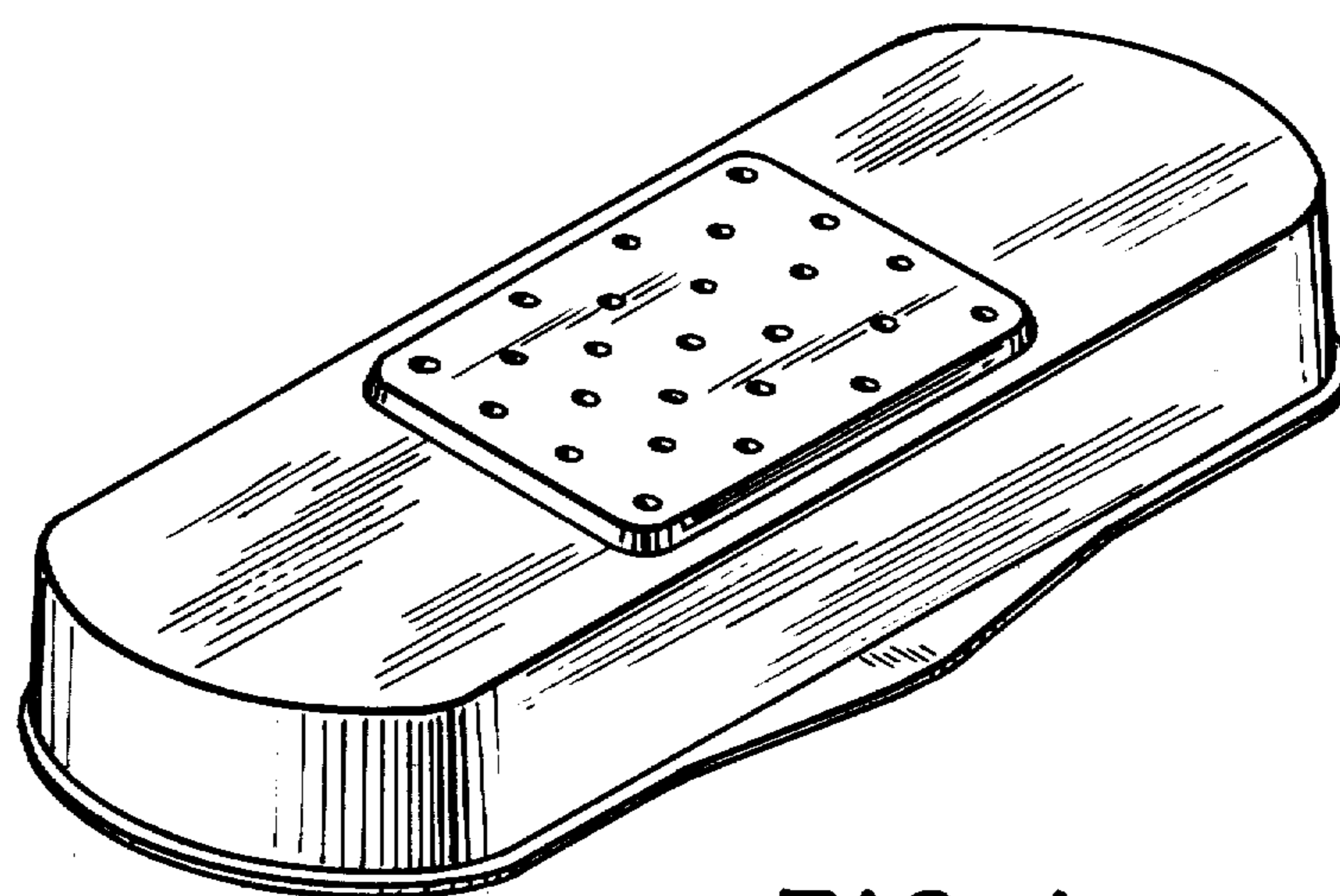
DESCRIPTION

FIG. 1 is a top isometric view of a container for first aid items or the like showing my new design;

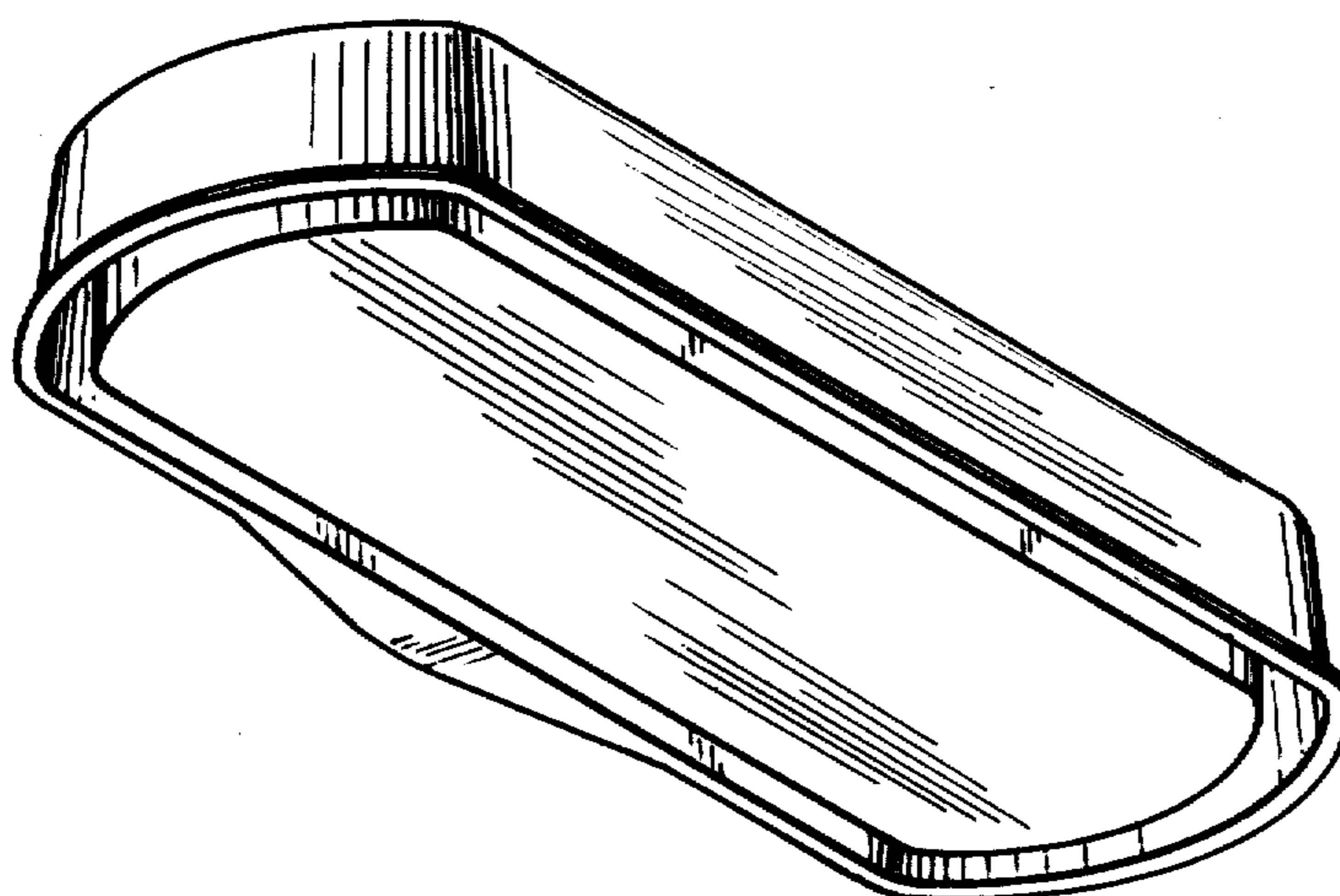
FIG. 2 is a bottom isometric view showing the rear and end not seen in FIG. 1; and

FIG. 3 is an isometric view of the separated top and bottom portions thereof.

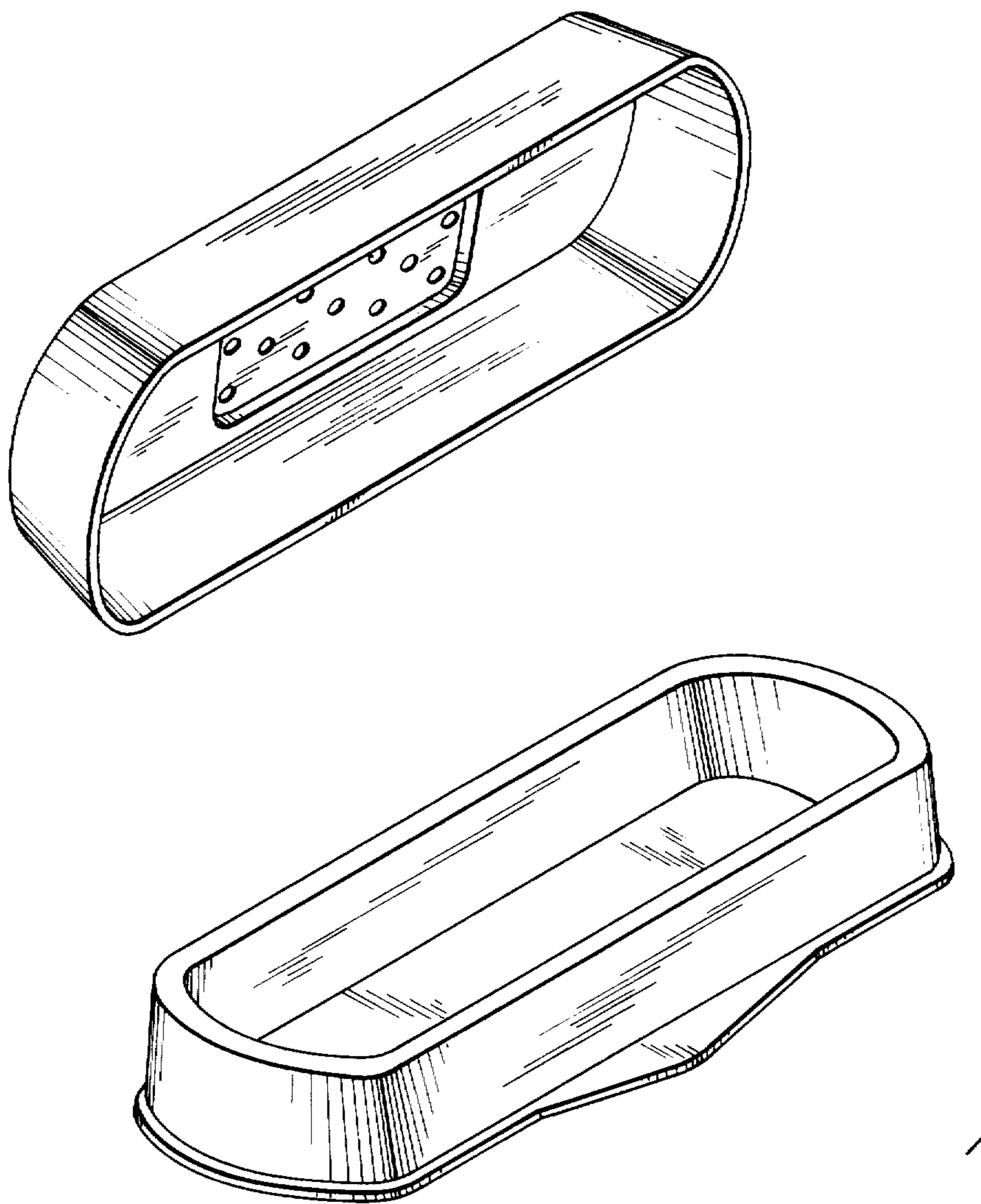




*FIG. 1*



*FIG. 2*



**FIG. 3**