

[54] PORTABLE CIRCULAR SAW
[75] Inventors: James L. Glass, Liberty; Harvey C. Rettberg, Pickens; Richard N. Ryer, II, Cleveland; James R. Sistare, Pickens, all of S.C.

[73] Assignee: The Singer Company, Stamford, Conn.

[**] Term: 14 Years

[21] Appl. No.: 114,445

[22] Filed: Jan. 22, 1980

[51] Int. Cl. D8-03

[52] U.S. Cl. D8/66

[58] Field of Search D8/66, 64, 61; 30/390, 30/391; 310/50, 47

[56] References Cited
U.S. PATENT DOCUMENTS

D. 203,434 1/1966 Rawson et al. D8/66

D. 225,299 12/1972 Boldt D8/66
D. 259,235 5/1981 Dibbern, Jr. et al. D8/66
3,873,862 3/1975 Butler D8/66 X

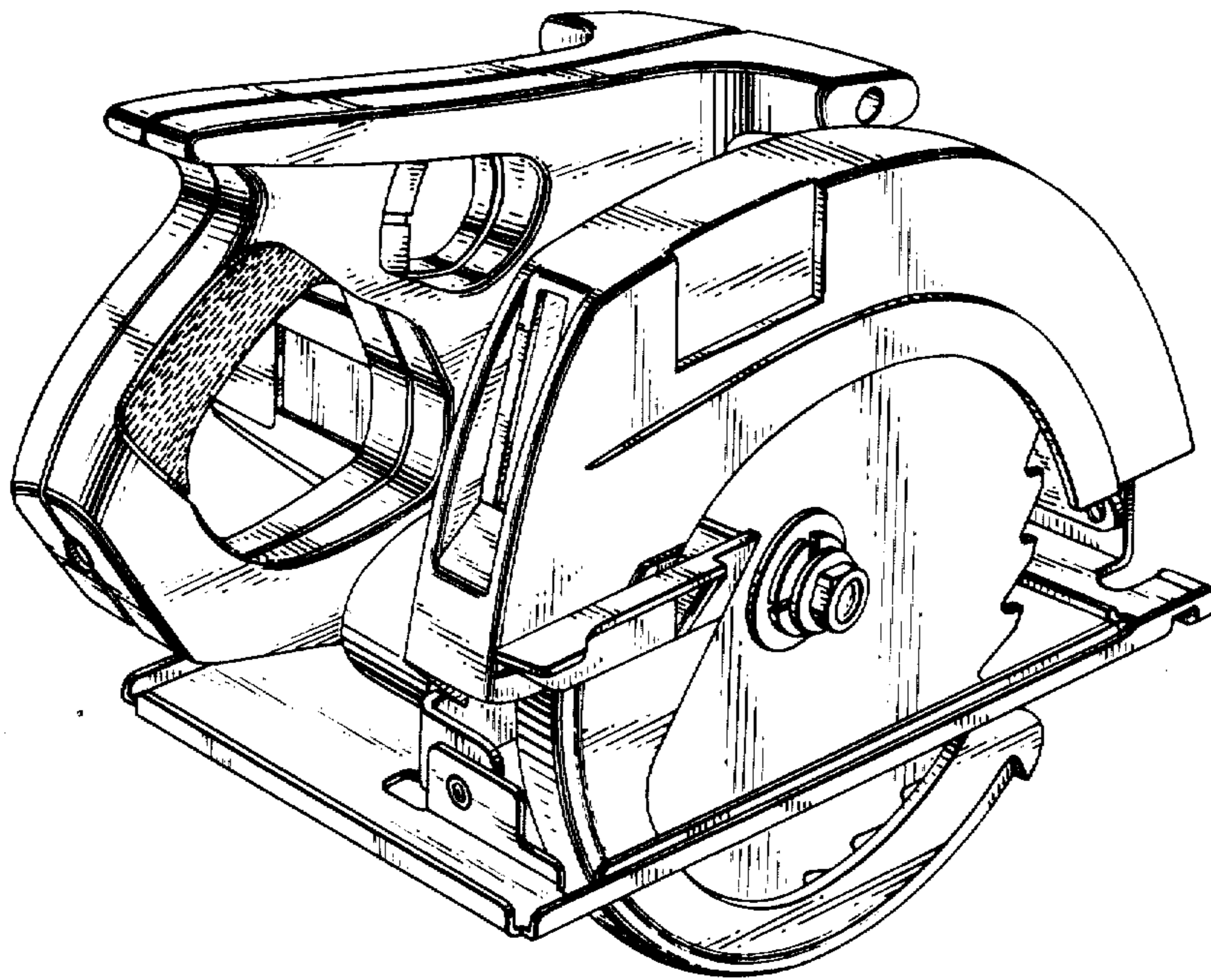
Primary Examiner—A. Hugo Word
Attorney, Agent, or Firm—Elliot A. Lackenbach; Robert E. Smith; Edward L. Bell

[57] CLAIM

The ornamental design for a portable circular saw, substantially as shown and described.

DESCRIPTION

FIG. 1 is a perspective illustration viewed from above and from the right rear of a portable circular saw incorporating our new design;
FIG. 2 is a perspective illustration from above and from the right front of the portable circular saw of FIG. 1;
FIG. 3 is a right side elevational view thereof;
FIG. 4 is a left side elevational view thereof;
FIG. 5 is a front elevational view thereof;
FIG. 6 is a rear elevational view thereof; and
FIG. 7 is a top plan view thereof.



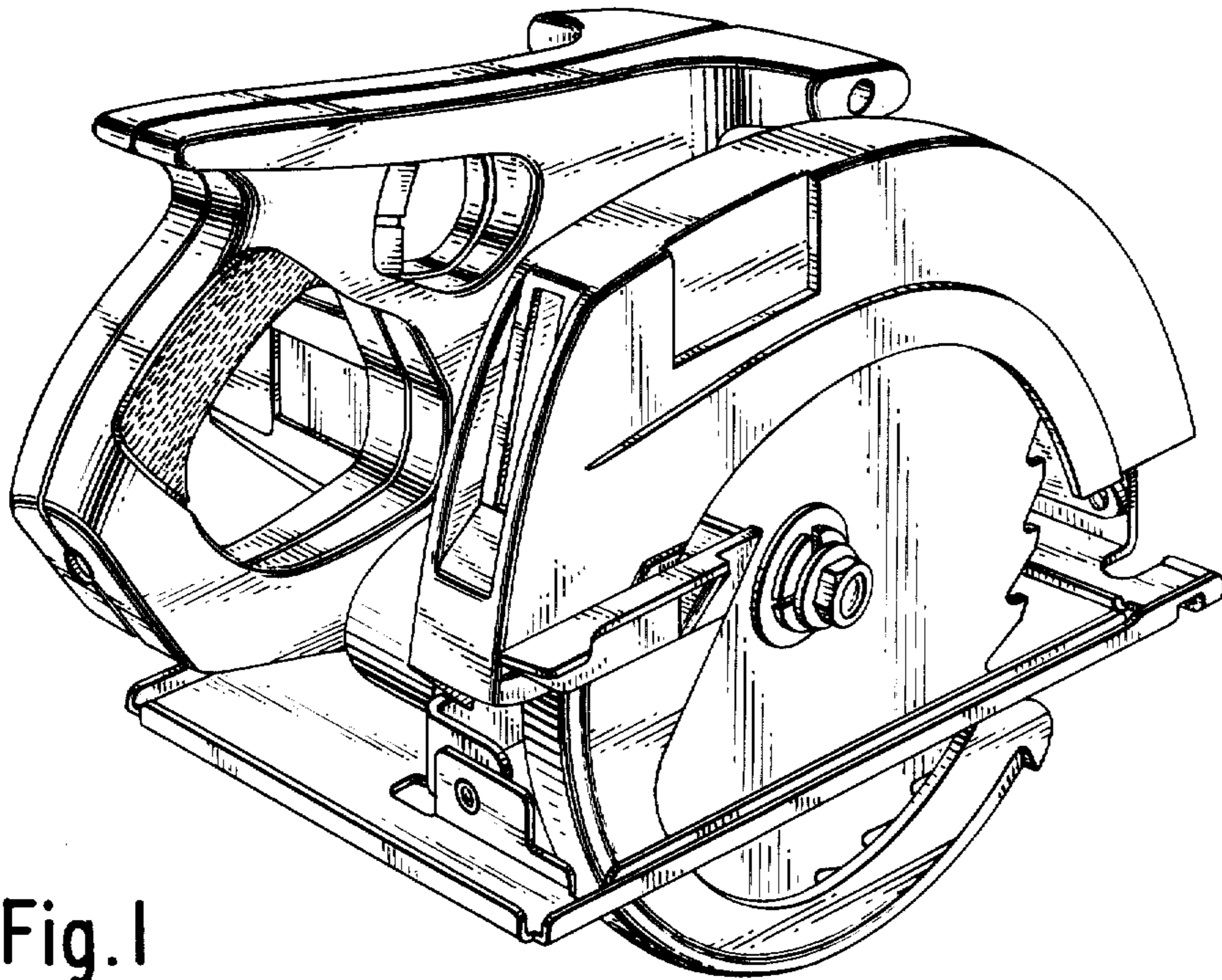


Fig. 1

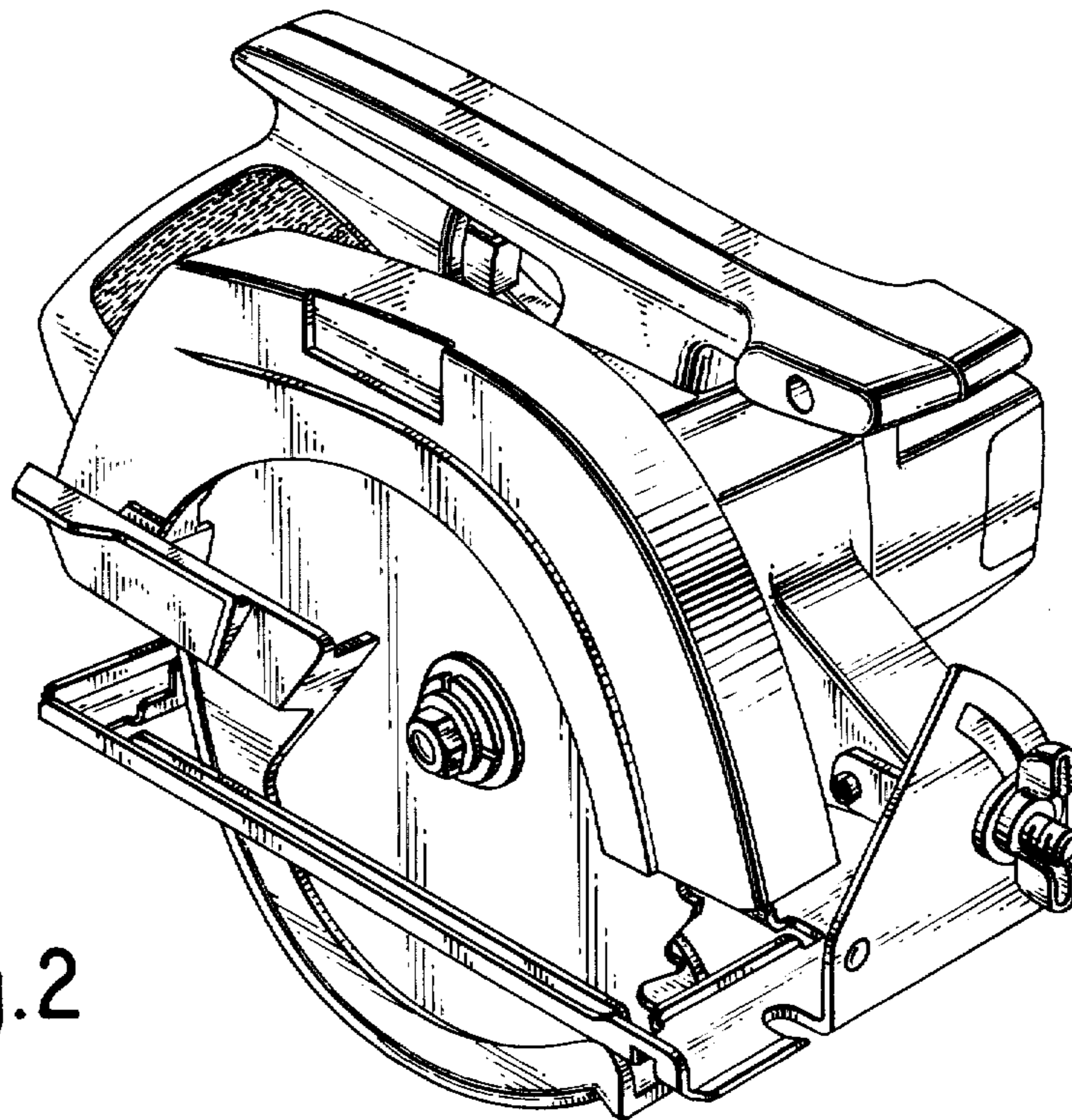


Fig. 2

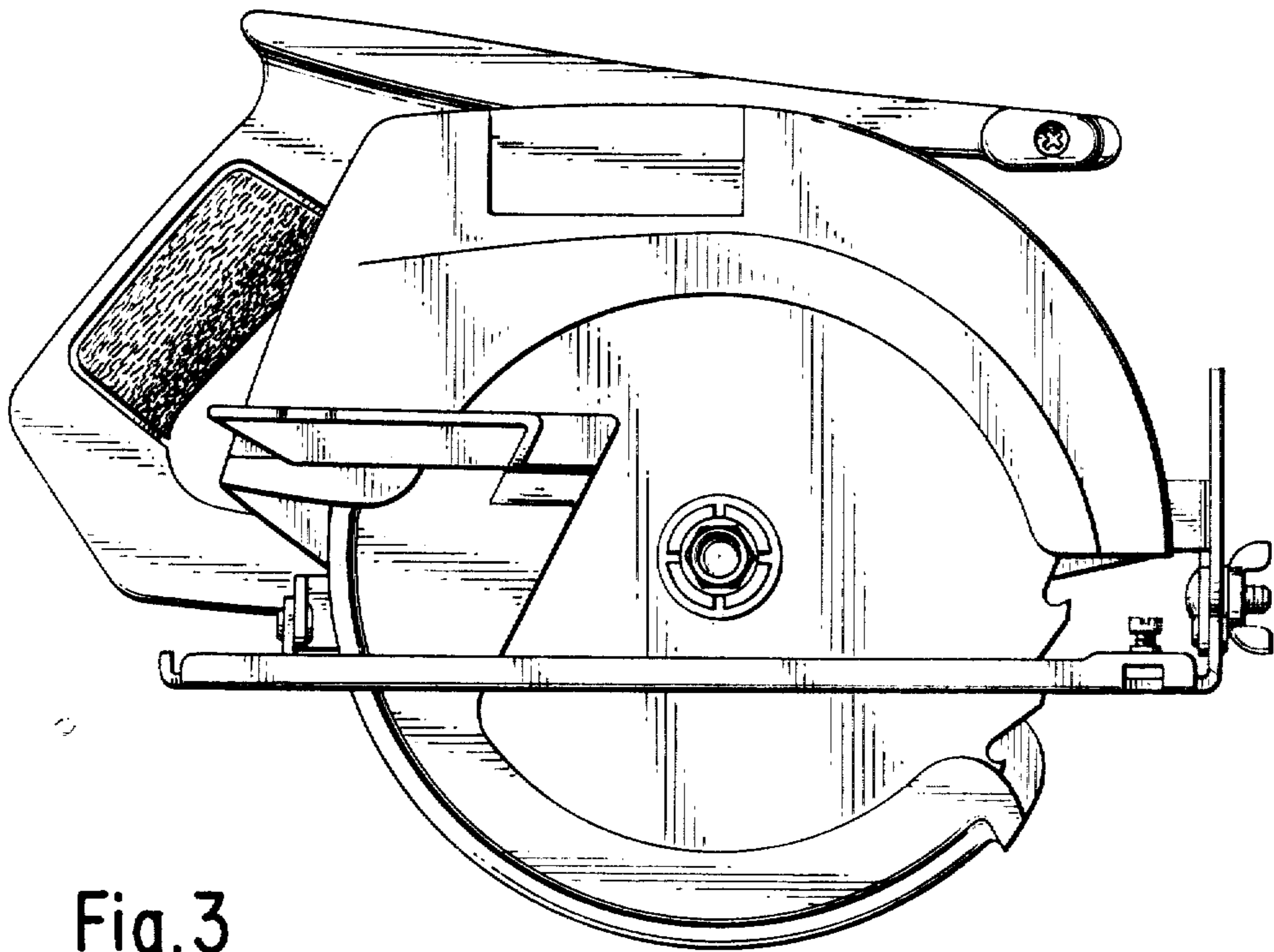


Fig. 3

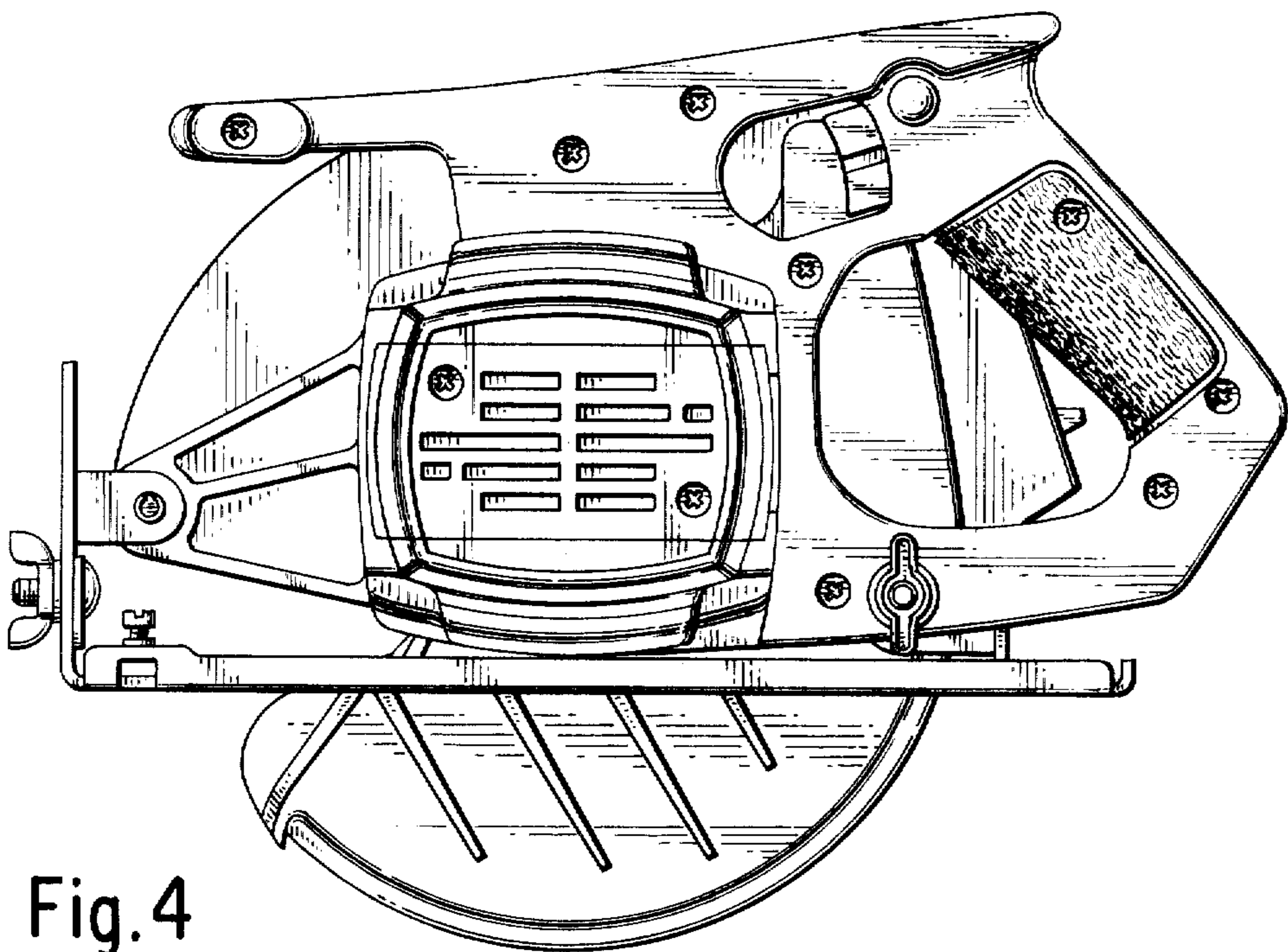


Fig. 4

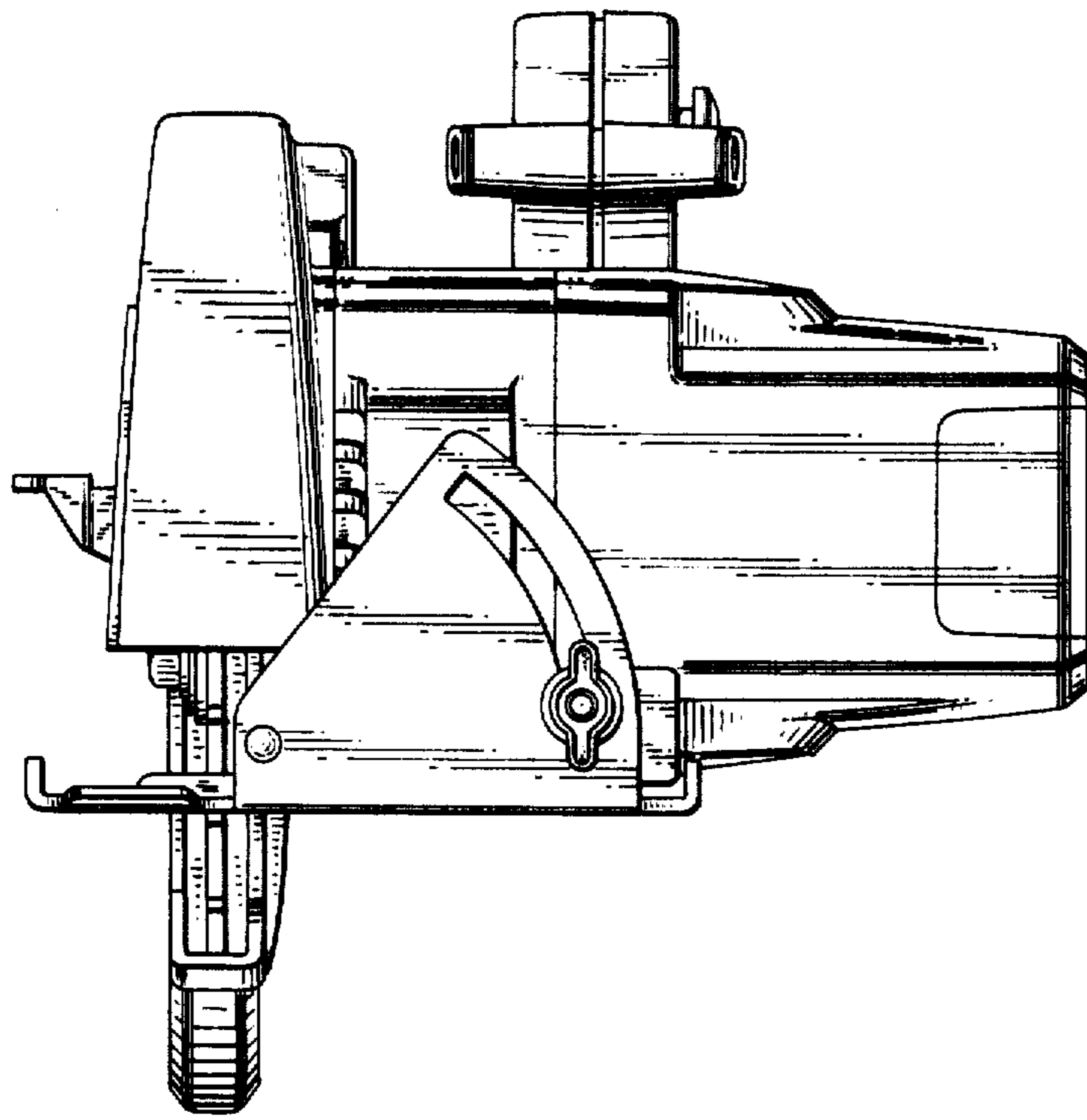


Fig. 5

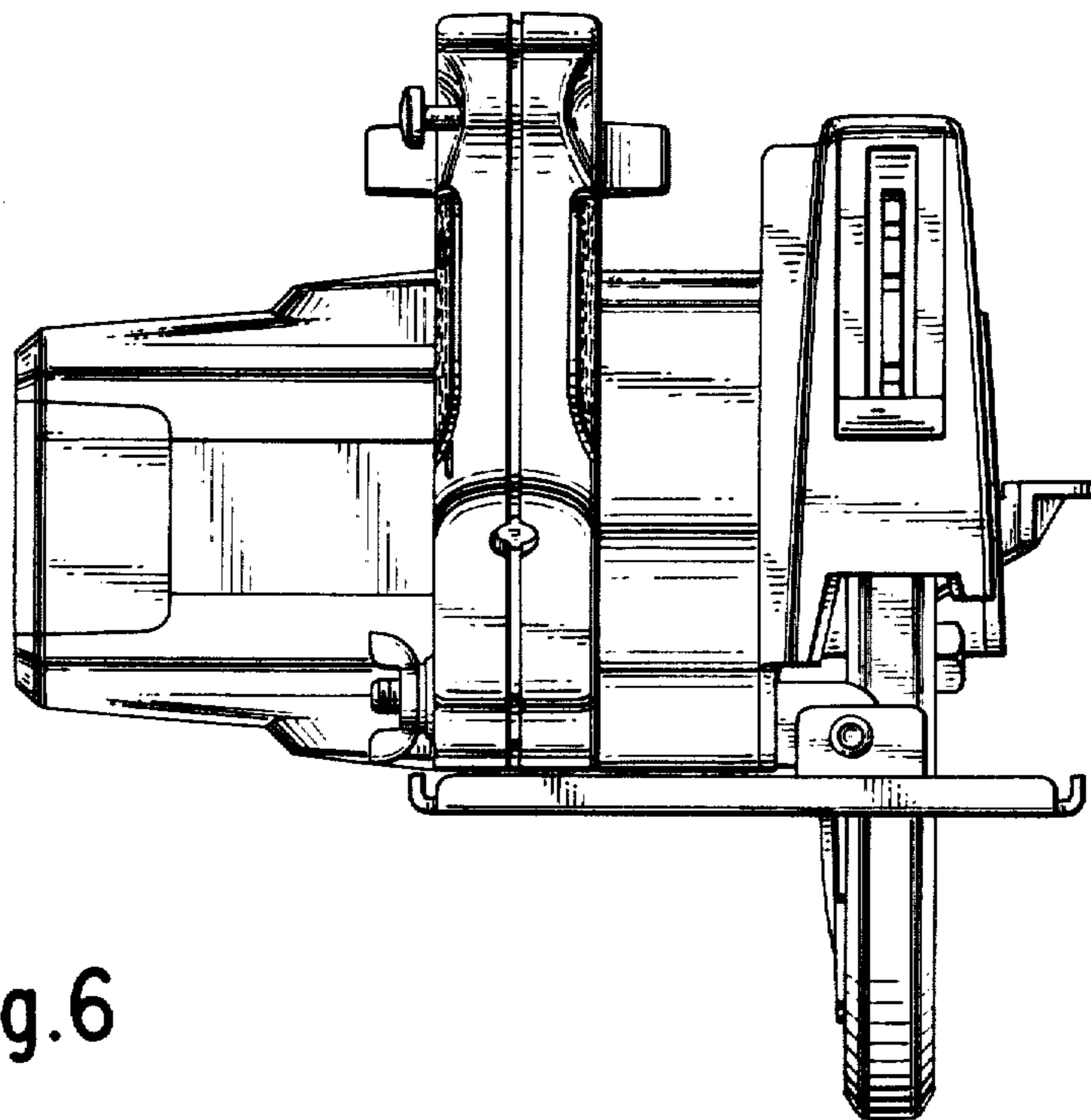


Fig. 6

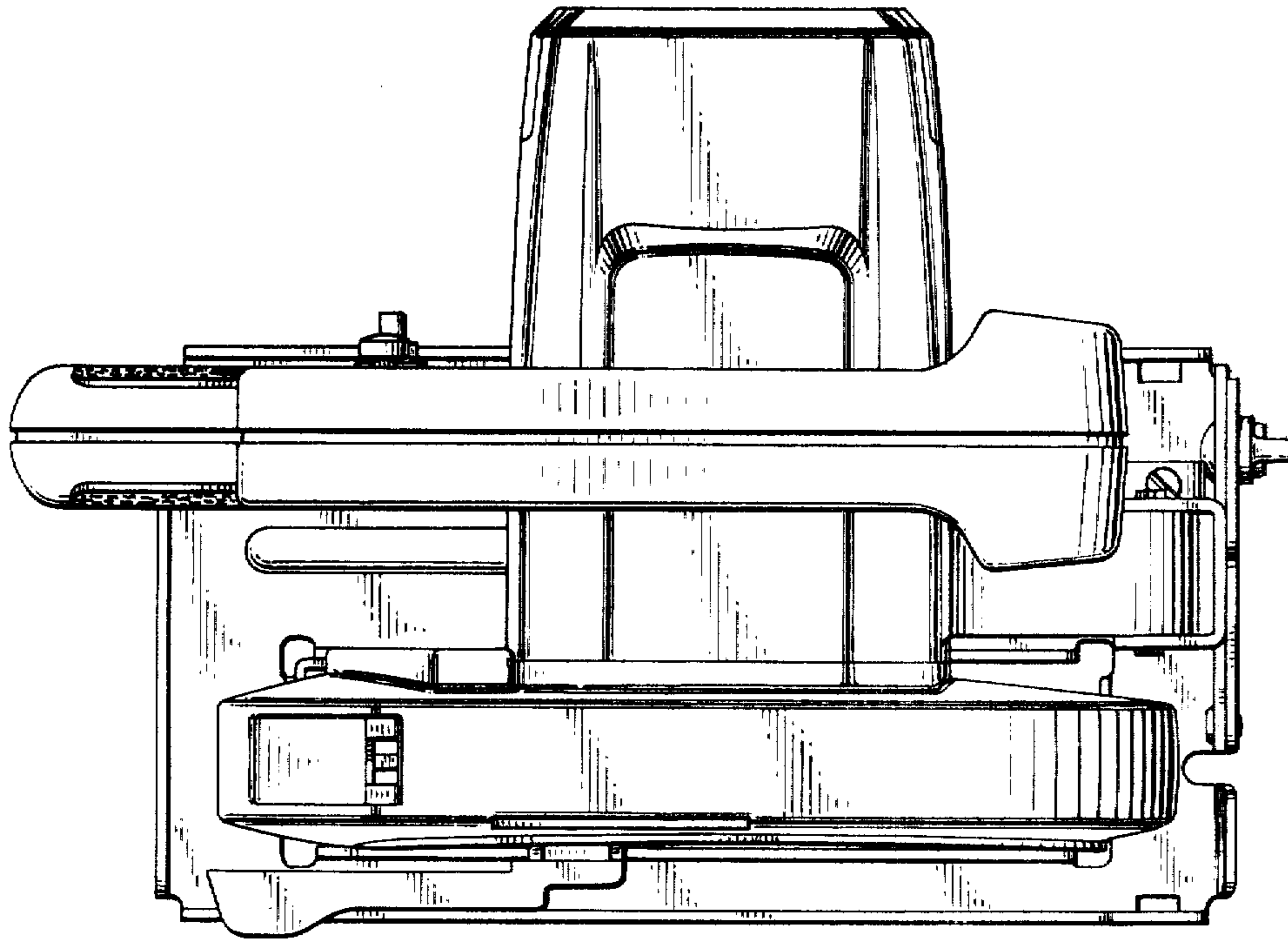


Fig. 7