

[54] FIRE HOSE CARRYING TOOL

[76] Inventors: Terry A. Brown, 1331 Franklin Rd.; Francis G. Fulkerson, 1525 Rancho Way, both of Yuba City, Calif. 95991

[\*\*] Term: 14 Years

[21] Appl. No.: 104,032

[22] Filed: Dec. 14, 1979

[51] Int. Cl. .... D8-05

[52] U.S. Cl. .... D8/16; D8/107; D8/371

[58] Field of Search ..... D8/16, 107, 366, 171, D8/371; D3/30; 296/15, 16, 26; 224/45 P, 45 T, 45 M

[56] References Cited

U.S. PATENT DOCUMENTS

- D. 204,446 4/1966 Bardon ..... D8/371 X
- D. 255,774 7/1980 Soucy ..... D8/366 X
- 1,245,216 11/1917 Gohlke ..... 294/26

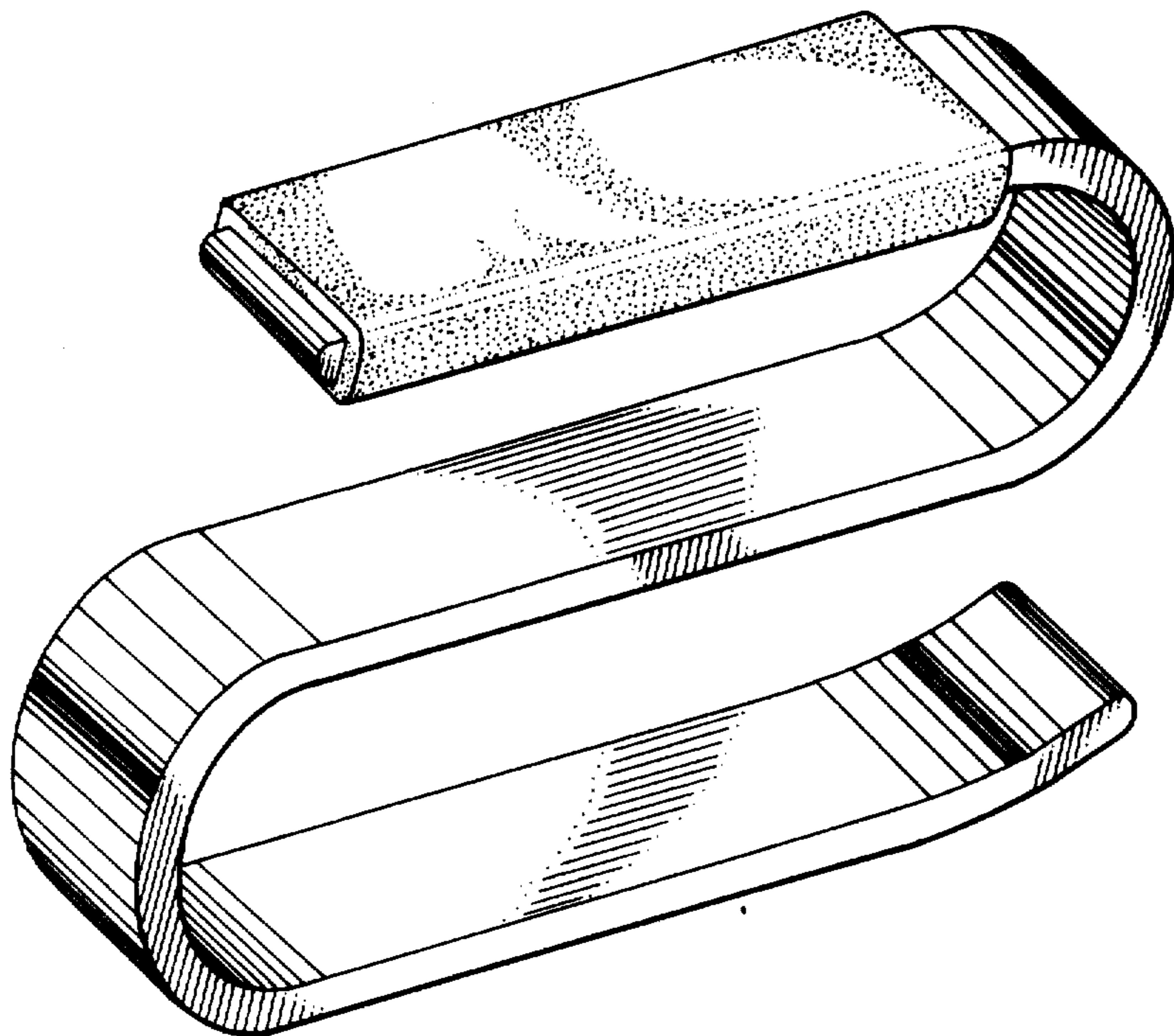
Primary Examiner—A. Hugo Word  
Attorney, Agent, or Firm—Lothrop & West

[57] CLAIM

The ornamental design for a fire hose carrying tool, as shown and described.

DESCRIPTION

FIG. 1 is a front left perspective view of a fire hose carrying tool showing our new design;  
 FIG. 2 is an elevational view of one side, the opposite side being a mirror image thereof, the broken lines forming no part of the design but indicating the manner in which the top layers of a roll of medium size fire hose are lodged within the tool while providing a hand grip to lift and carry the fire hose roll;  
 FIG. 3 is an elevational view of the left-hand end thereof;  
 FIG. 4 is an elevational view of the right-hand end thereof;  
 FIG. 5 is a top plan view; and,  
 FIG. 6 is a bottom plan view.



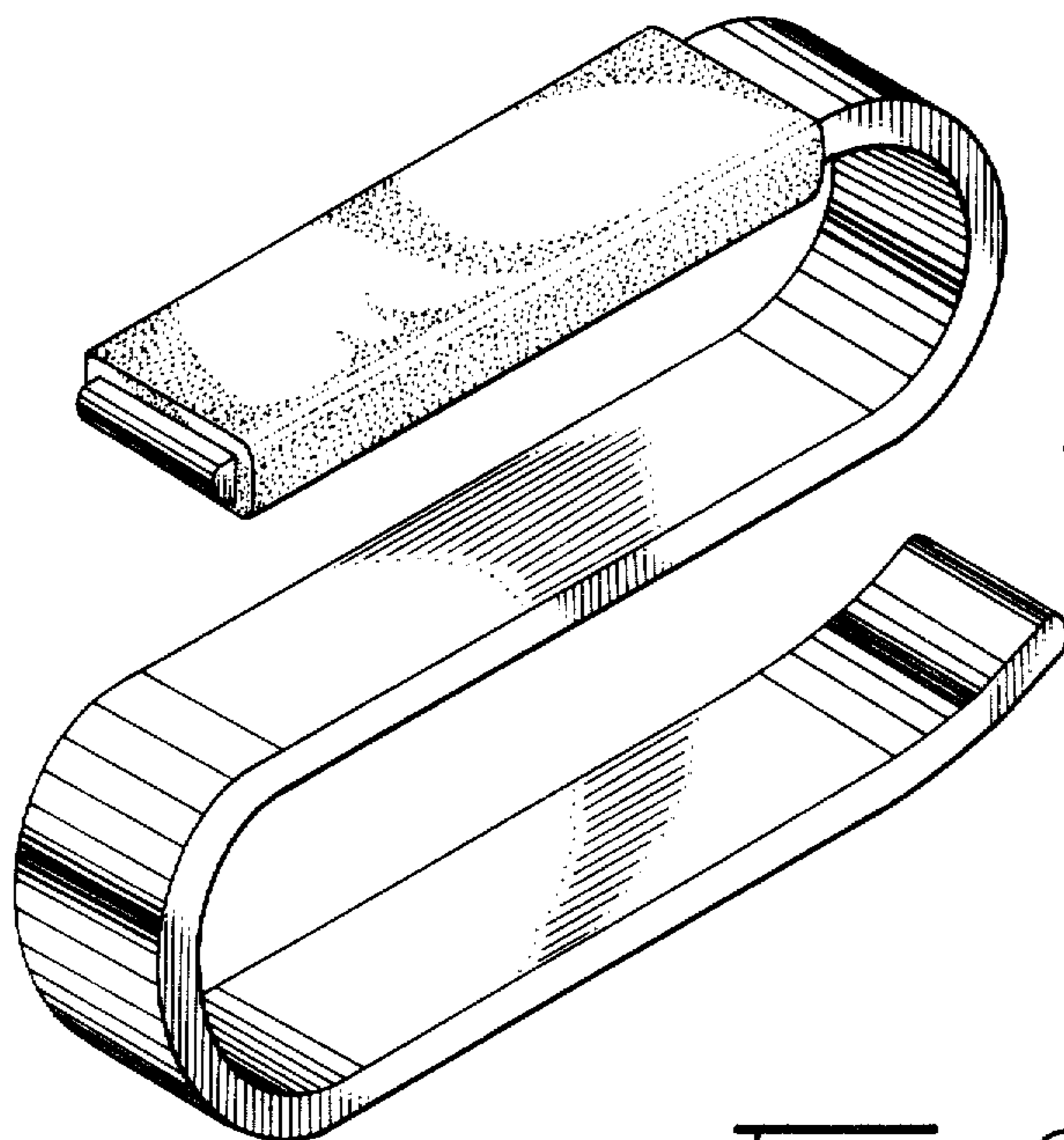


FIG-1

FIG-2

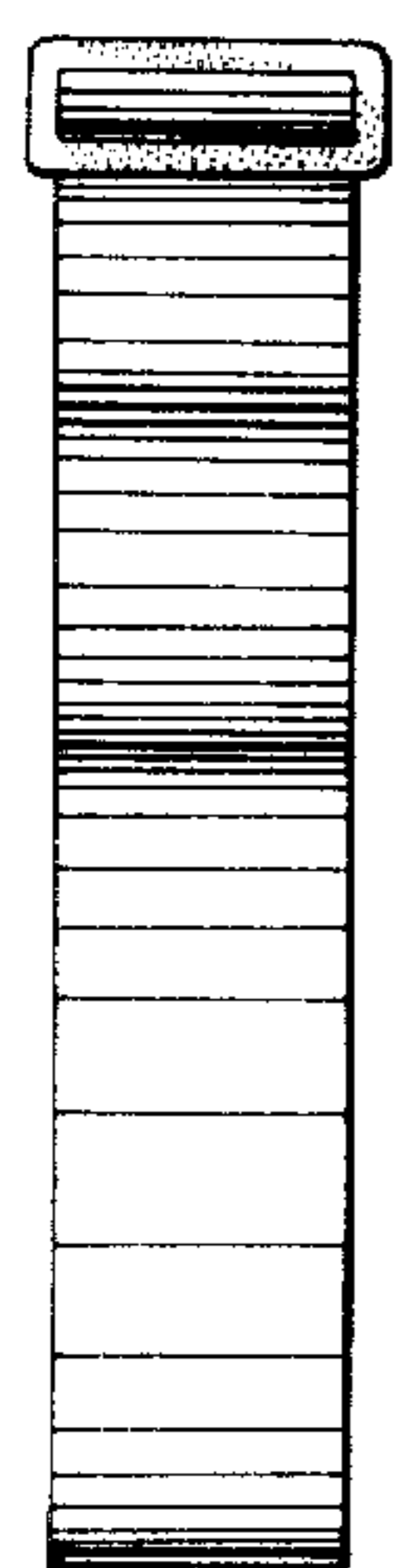


FIG-3

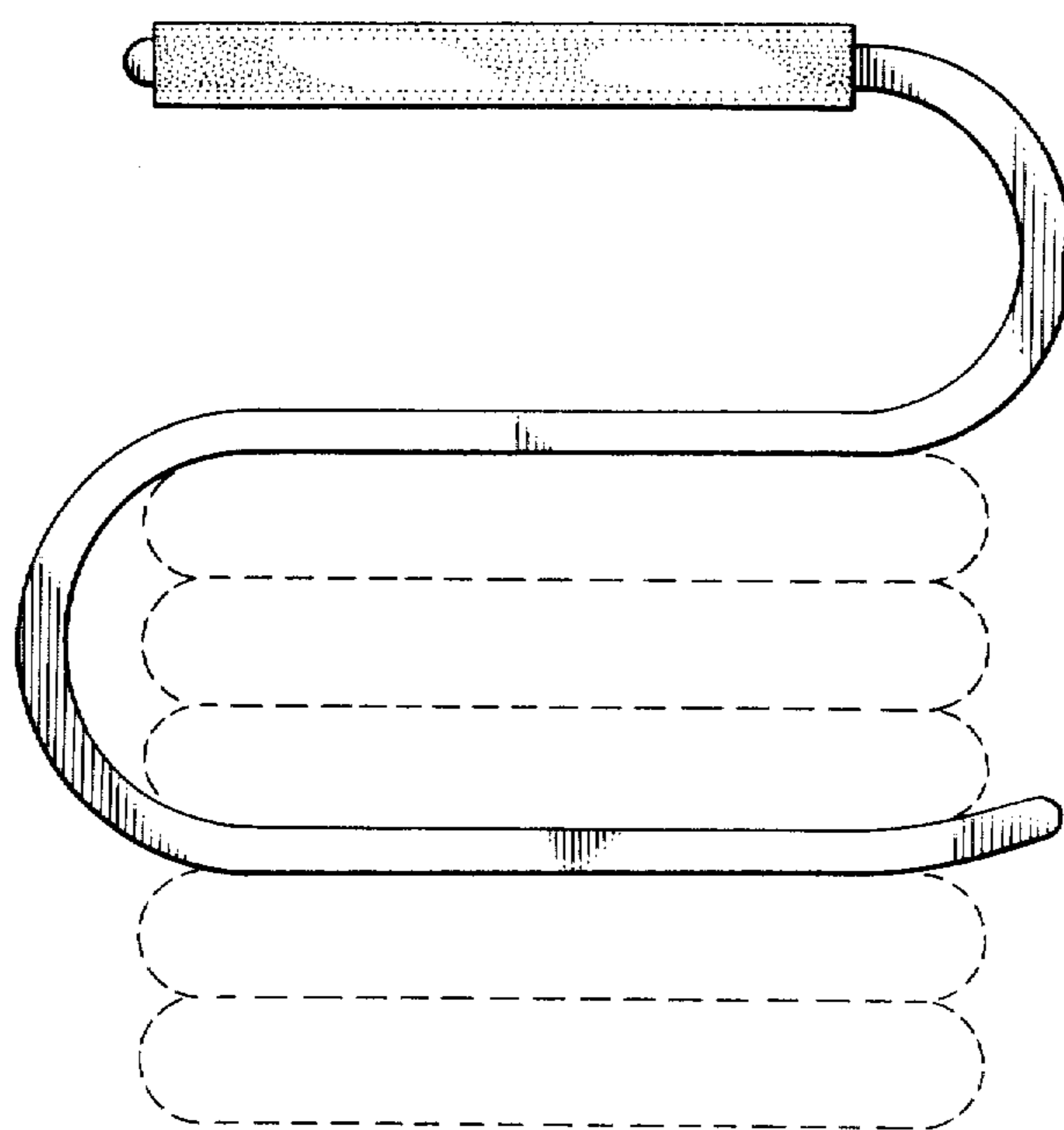


FIG-4

FIG-5

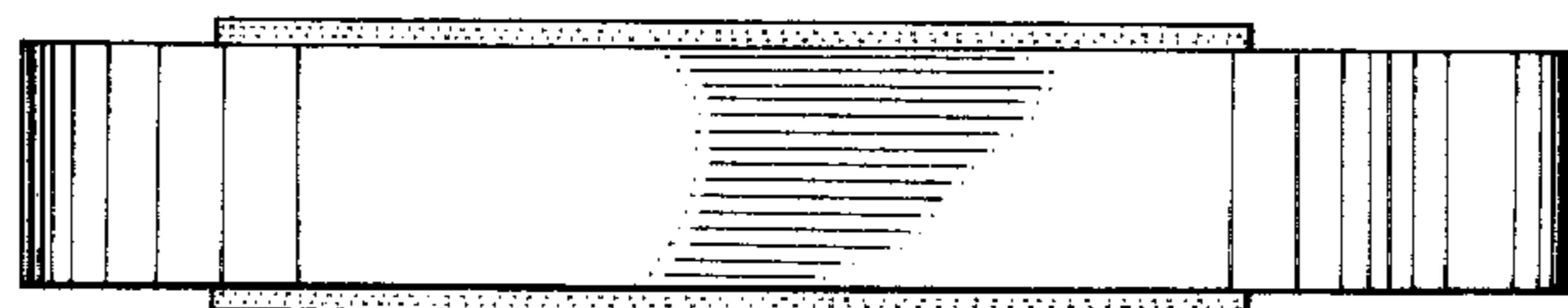
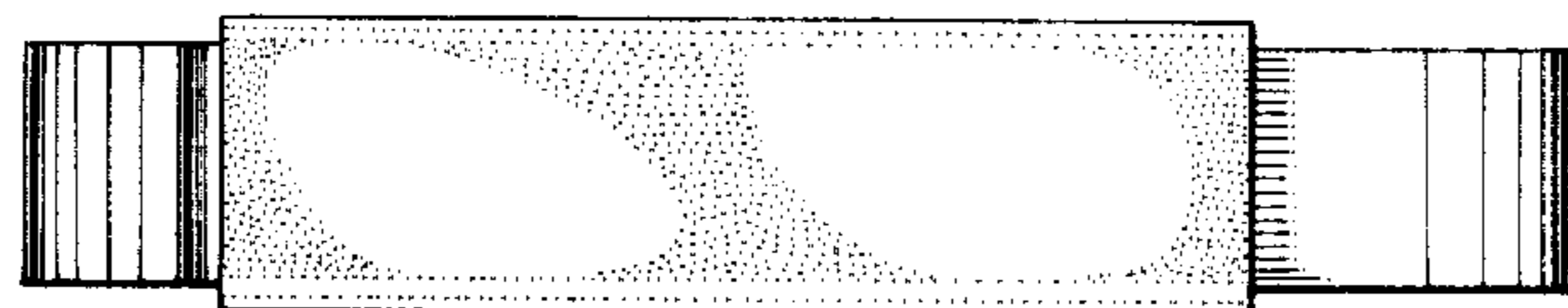


FIG-6