

[54] **COMPRESSION FITTING FOR A WEED-KILLING WICK APPLICATOR**

[76] Inventors: **James H. Hardy**, P.O. Box 259, Rte. 2; **James E. Roberson**, 220 Bates St., both of Batesville, Miss. 38606

[**] Term: **14 Years**

[21] Appl. No.: **44,928**

[22] Filed: **Jun. 4, 1979**

[51] Int. Cl. **D8-05; D23-01**

[52] U.S. Cl. **D8/02; D8/01; D23/40; D23/43**

[58] Field of Search **47/1.5; D9/435, 447, D9/448; D8/1, 2; D23/40, 43; 285/206**

[56] **References Cited**

U.S. PATENT DOCUMENTS

D. 221,851	9/1971	Mullins	D23/40
D. 243,456	2/1977	Ryan	D23/40
3,021,642	2/1962	Ewing	47/1.5
3,531,142	9/1970	Peasley	285/206 X
4,187,638	2/1980	Hardy et al.	47/1.5
4,219,964	9/1980	Dale	47/1.5

OTHER PUBLICATIONS

Specialty Co. Inc., Catalog 1963, Item No. 14320, Compression Connection.

Primary Examiner—Bernard Ansher
Attorney, Agent, or Firm—Brisebois & Kruger

[57] **CLAIM**

The ornamental design for a compression fitting for a weed-killing wick applicator, as shown and described.

DESCRIPTION

FIG. 1 is a top perspective view of a compression fitting for a weed-killing wick applicator, showing our new design;

FIG. 2 is a left elevation thereof mounted on a reservoir represented in broken lines for illustrative purposes only;

FIG. 3 is a front elevation thereof;

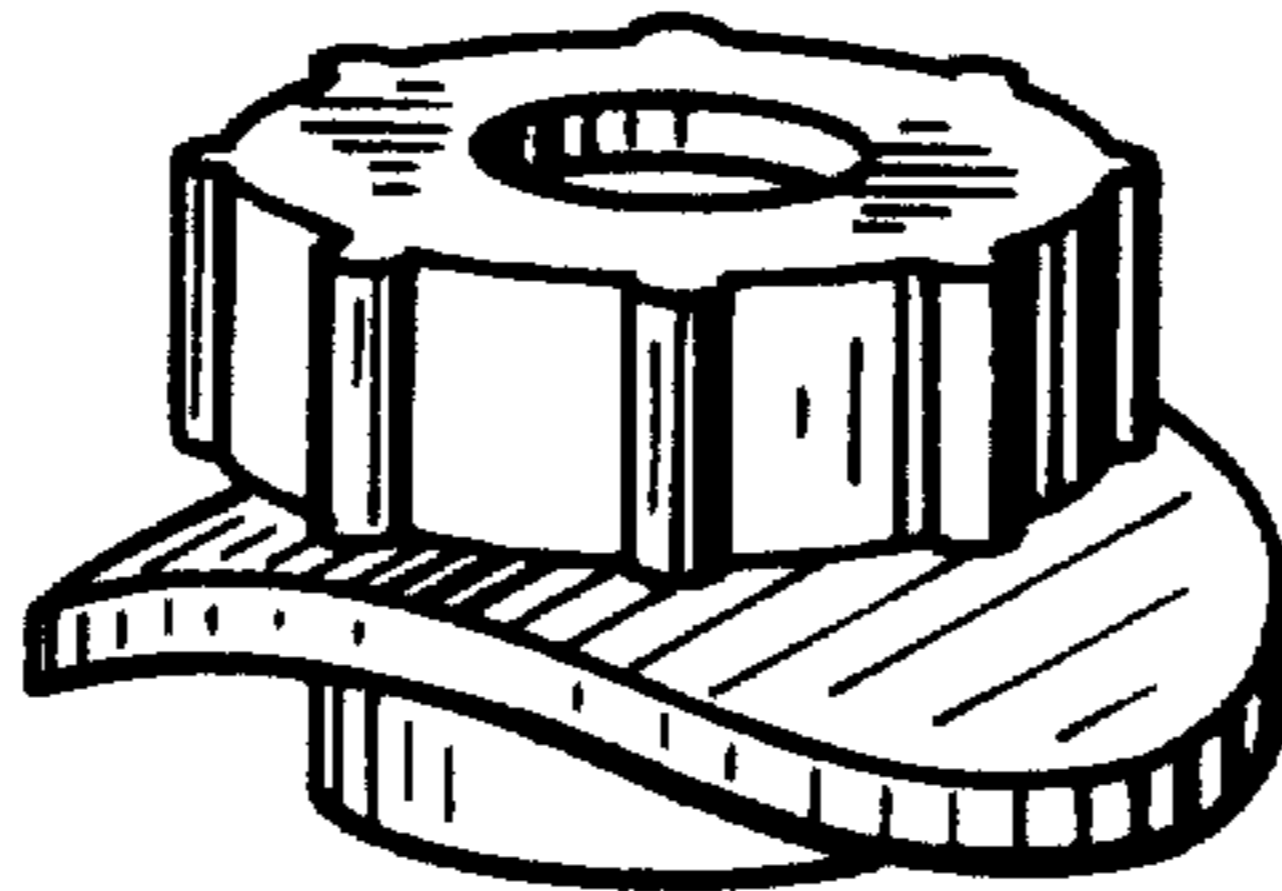
FIG. 4 is a top plan view thereof;

FIG. 5 is a bottom plan view thereof;

FIG. 6 is an exploded left and elevation thereof;

FIG. 7 is a top plan view of the compression fitting body element, shown separately for clarity of illustration; and

FIG. 8 is a bottom plan view thereof.



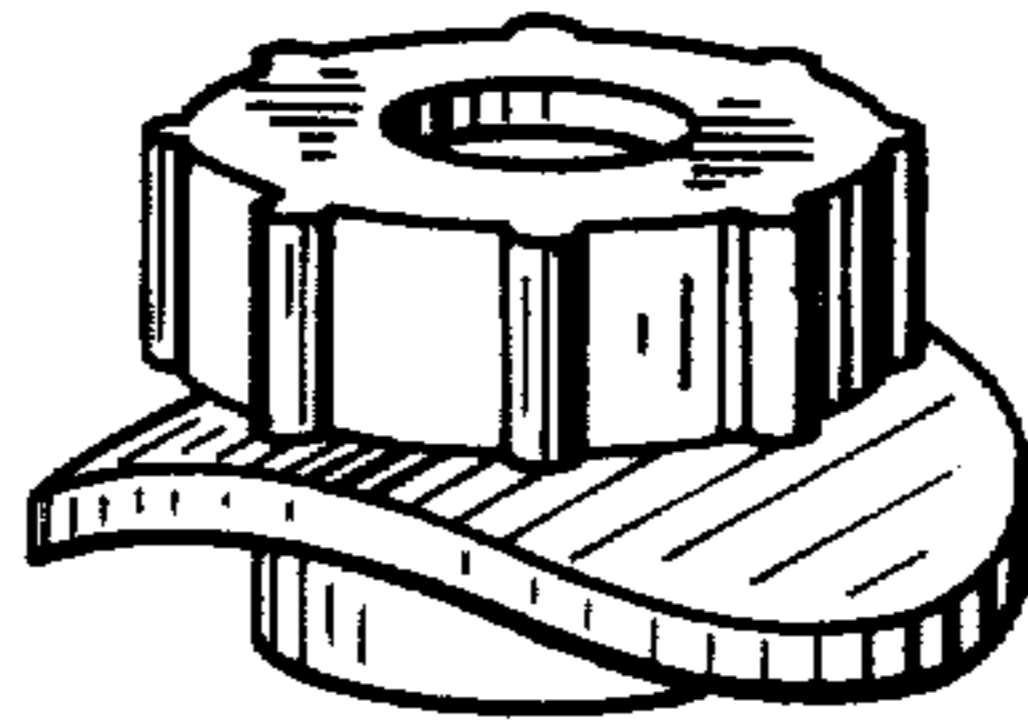


Fig. 1

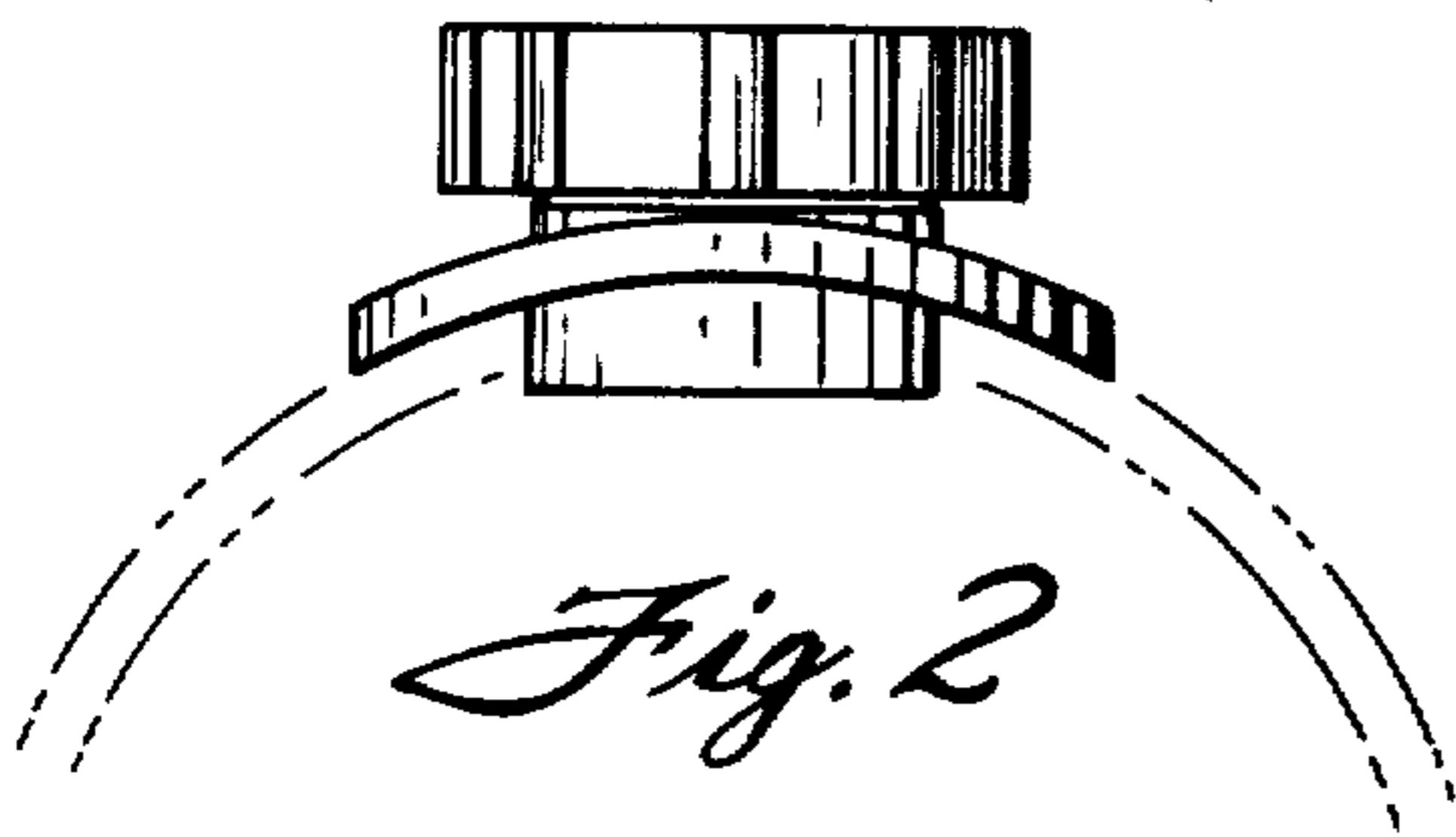


Fig. 2

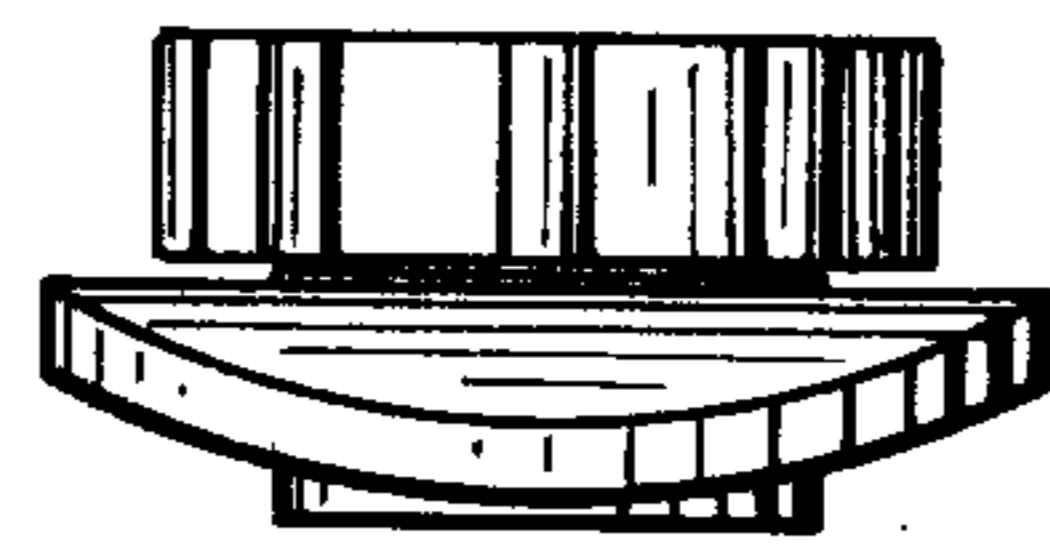


Fig. 3

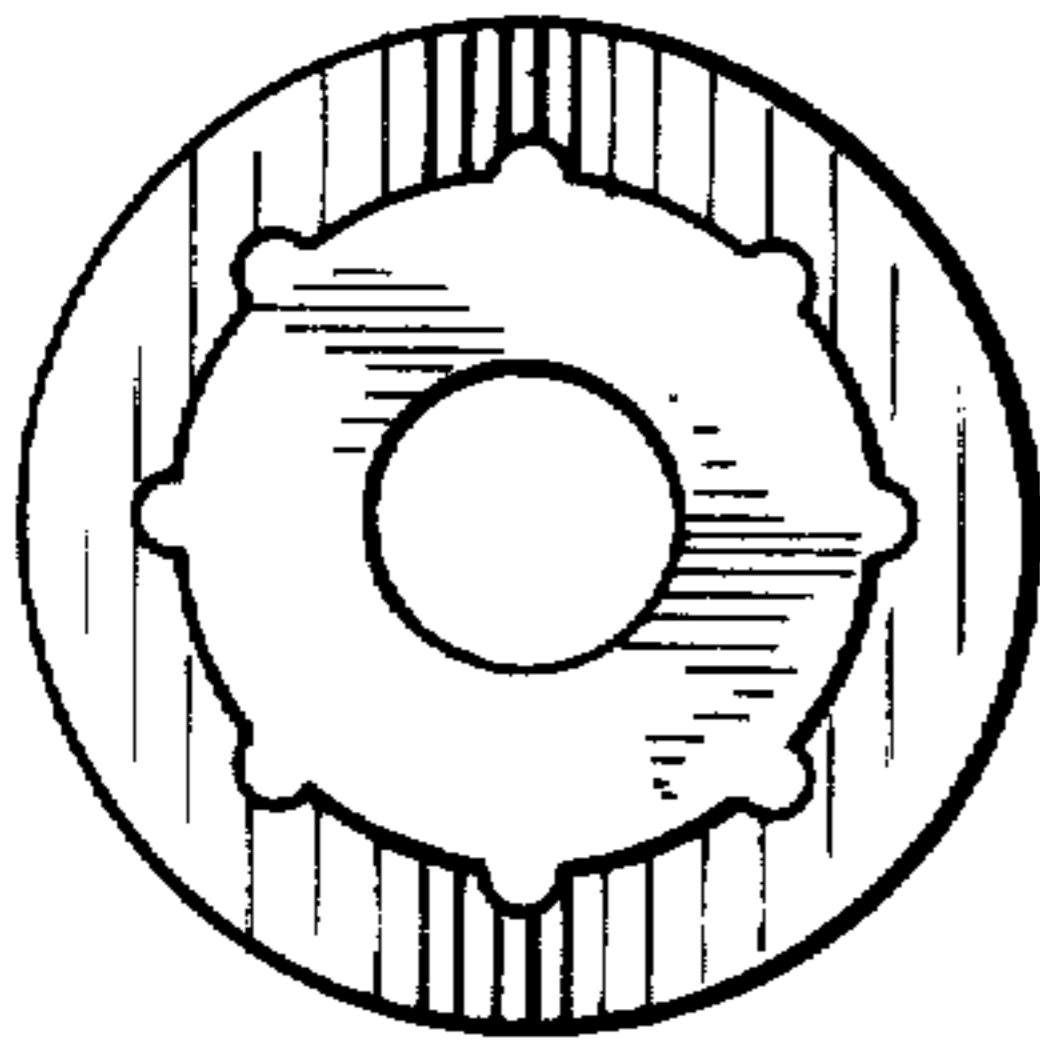


Fig. 4

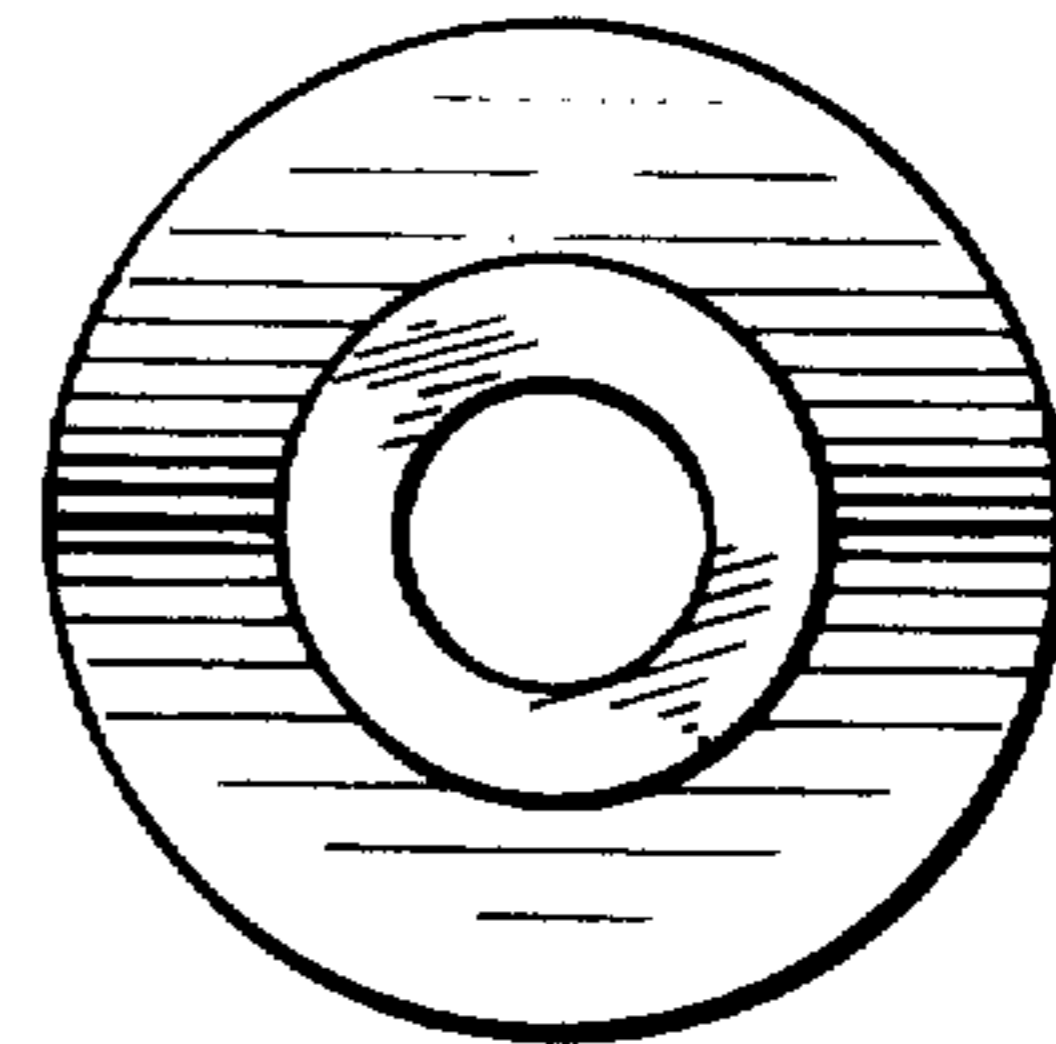


Fig. 5

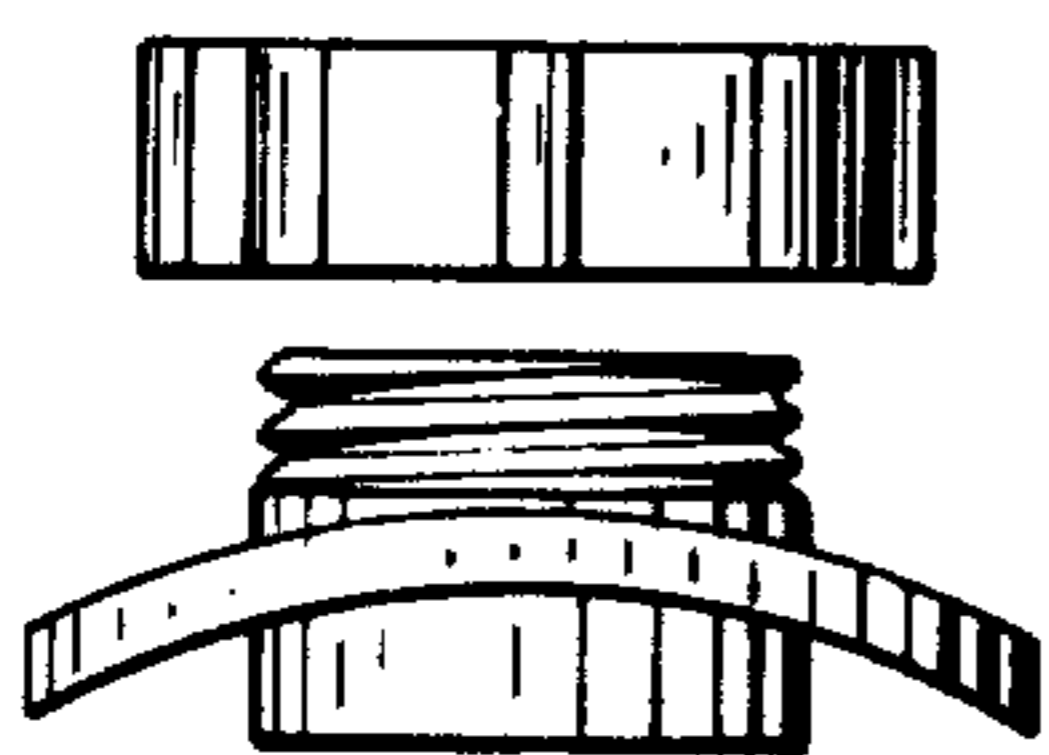


Fig. 6

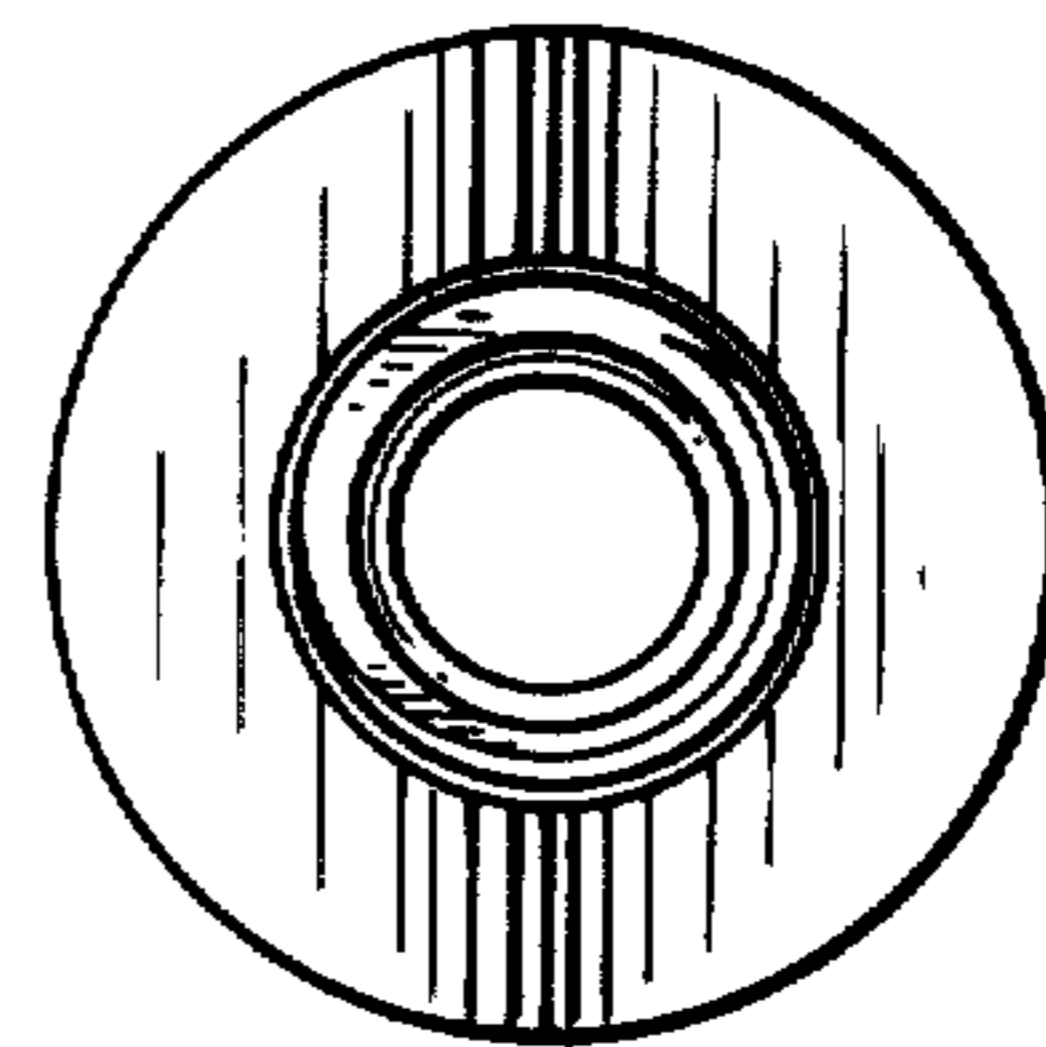


Fig. 7

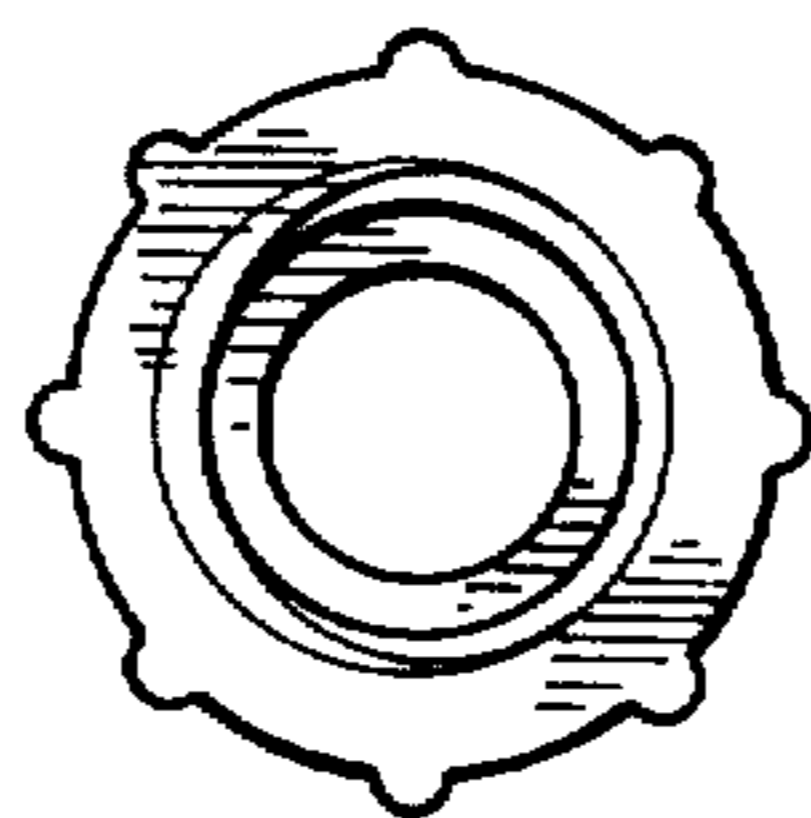


Fig. 8