

[54] CHARCOAL COOKER

[76] Inventor: Richard P. Barber, Rte. #2,  
Anthony, Kans. 67003

[\*\*] Term: 14 Years

[21] Appl. No.: 95,258

[22] Filed: Nov. 19, 1979

[51] Int. Cl. .... D7-02  
[52] U.S. Cl. .... D7/109  
[58] Field of Search ..... D7/107, 108, 109, 110;  
126/25 R, 25 A, 25 AA, 25 B, 25 C, 29, 30, 9 R,  
9 A, 9 B

[56] References Cited

U.S. PATENT DOCUMENTS

D. 194,301 12/1962 Gier et al. .... D7/109  
D. 205,202 7/1966 Clausen .... D7/109  
D. 246,239 11/1977 Kozloski .... D12/209  
3,032,783 5/1962 Swanson, Jr. .... D7/107 X

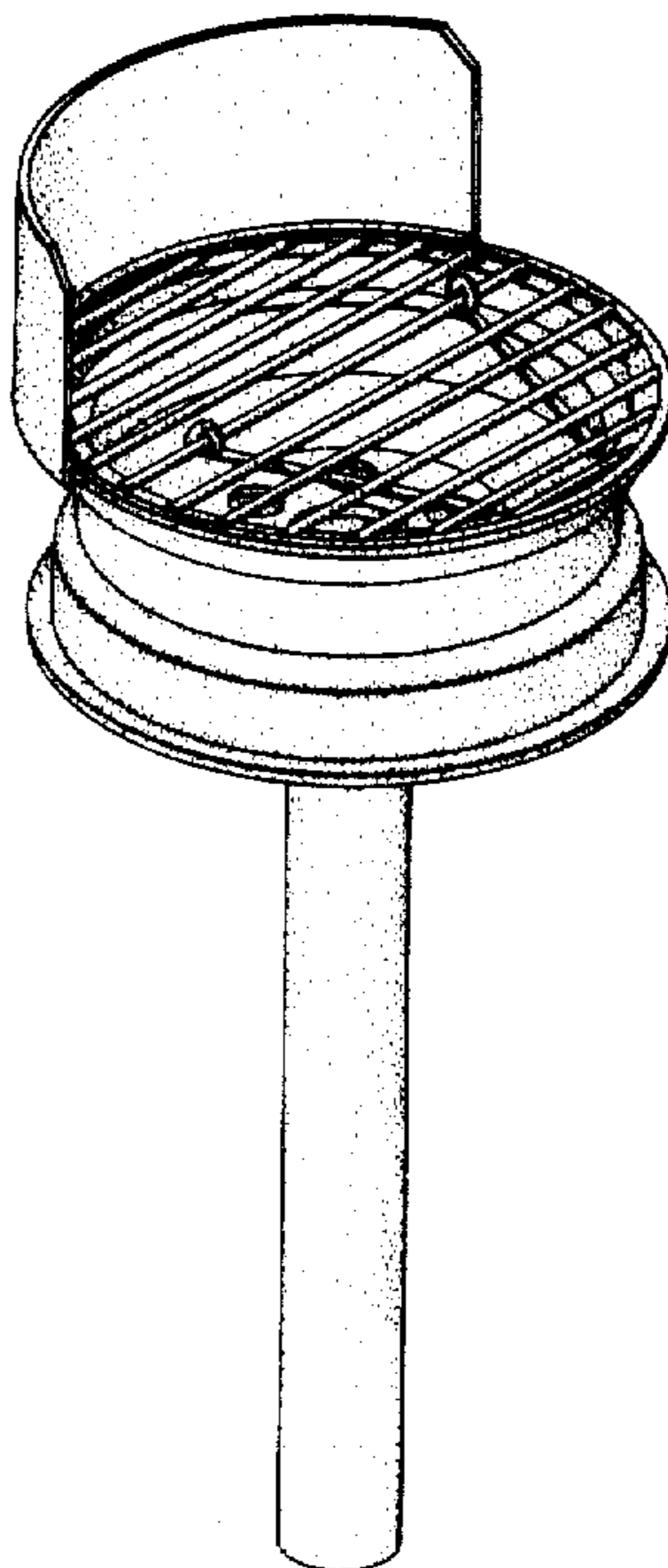
Primary Examiner—Catherine E. Kemper

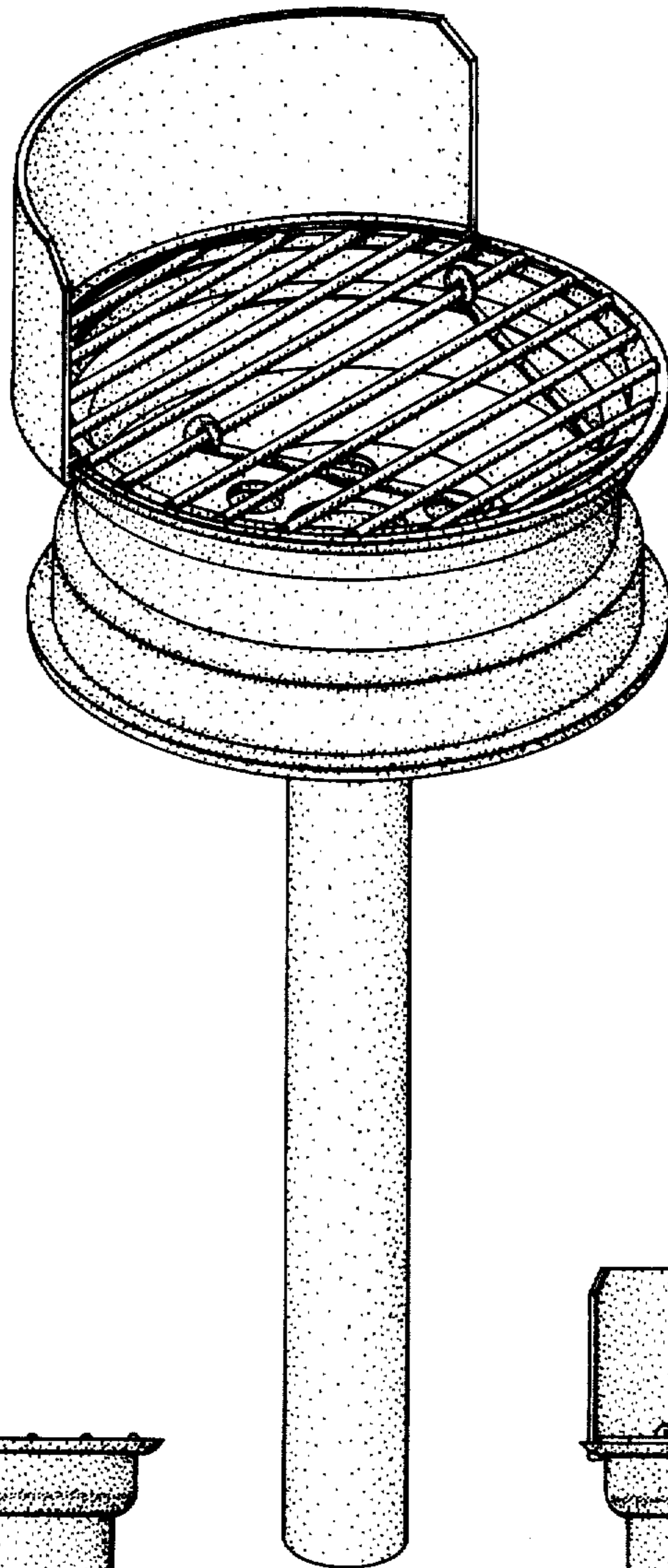
[57] CLAIM

The ornamental design for a charcoal cooker, as shown and described.

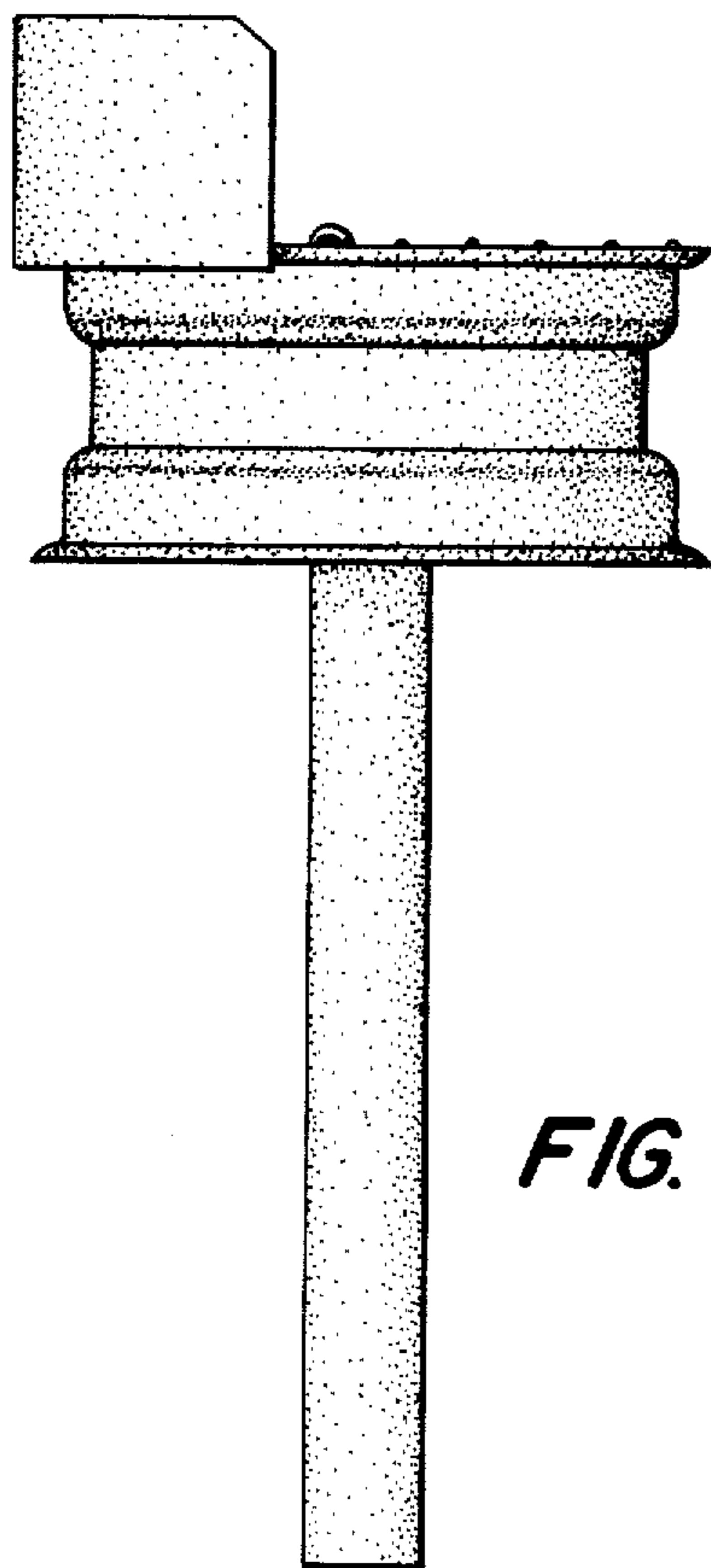
DESCRIPTION

FIG. 1 is a perspective view of a charcoal cooker showing my new design;  
FIG. 2 is a side elevational view thereof;  
FIG. 3 is a front elevational view thereof;  
FIG. 4 is a rear elevational view thereof;  
FIG. 5 is a top plan view thereof; and  
FIG. 6 is a bottom plan view thereof.

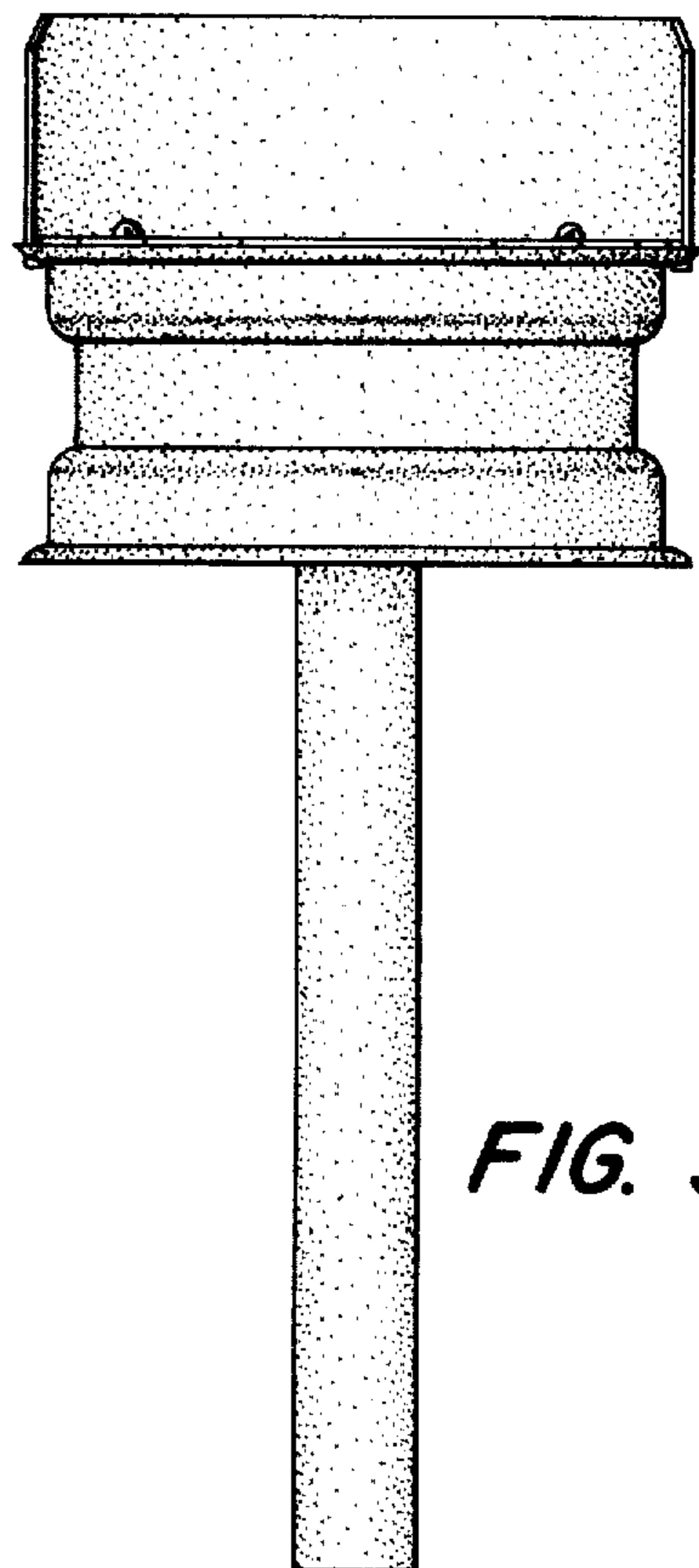




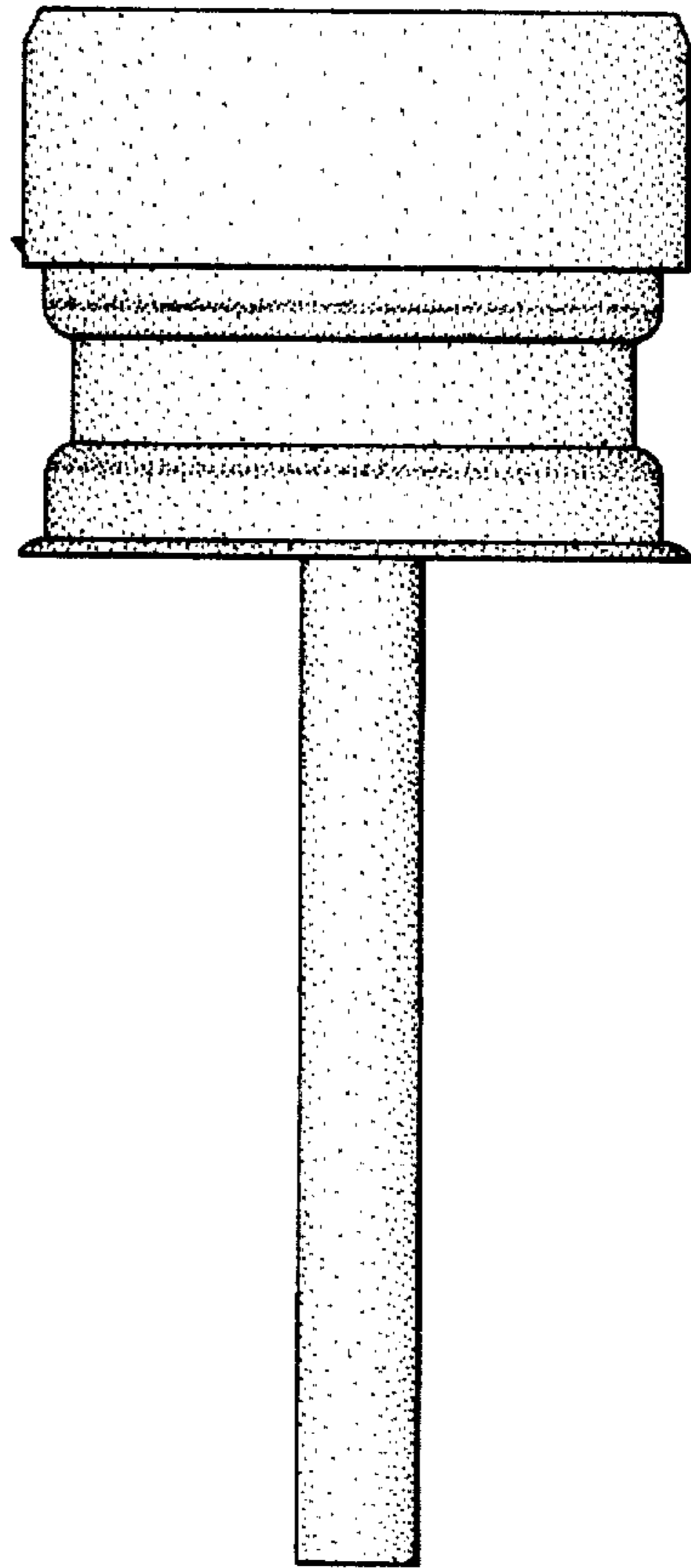
*FIG. 1*



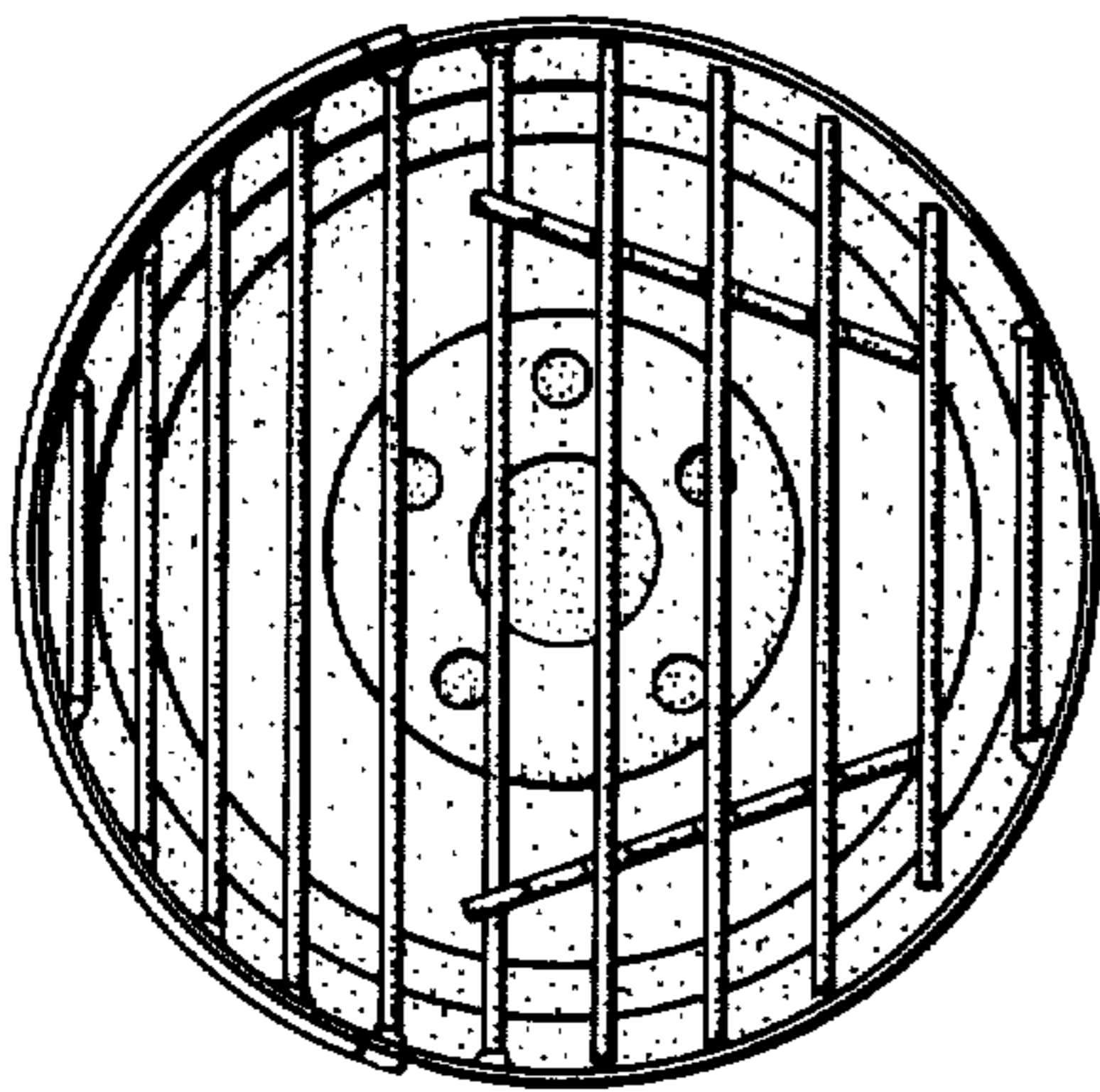
*FIG. 2*



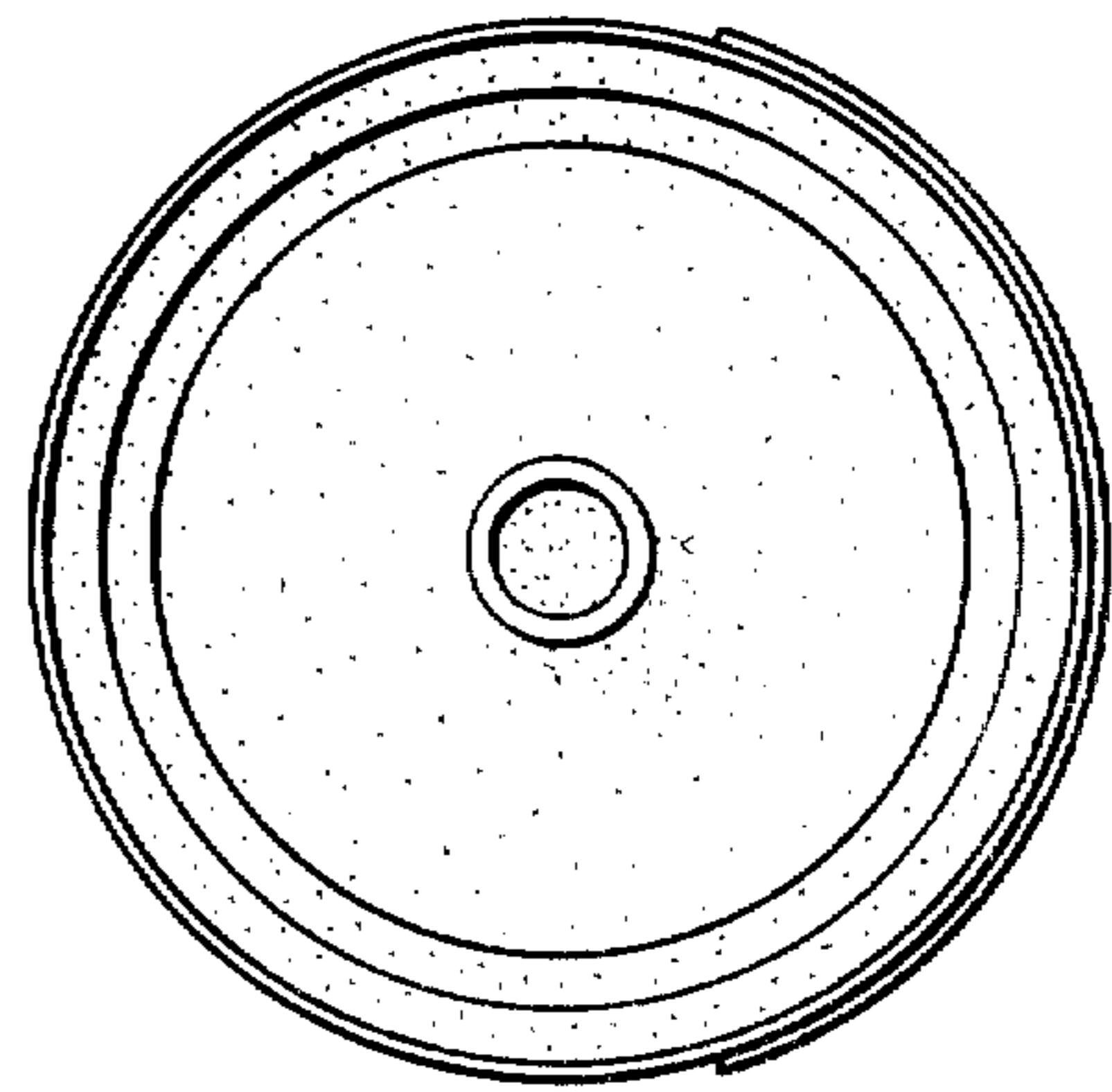
*FIG. 3*



*FIG. 4*



*FIG. 5*



*FIG. 6*