

[54] BEDSIDE TABLE

[75] Inventors: Richard Sonder; Joseph L. Russo, both of New York, N.Y.

[73] Assignee: Thonet Industries, Inc., York, Pa.

[**] Term: 14 Years

[21] Appl. No.: 97,097

[22] Filed: Nov. 23, 1979

[51] Int. Cl. D6-03

[52] U.S. Cl. D6/145; D6/176; D6/179

[58] Field of Search D6/145, 146, 147, 149, D6/74, 75, 32, 175, 176, 177, 178, 179; D3/74, 75

[56] References Cited

U.S. PATENT DOCUMENTS

- D. 86,489 3/1932 Stoner D6/32
- D. 96,632 8/1935 Swanson D6/146
- D. 185,992 8/1959 D'Arbeloff D3/75

- D. 225,513 12/1972 Waag D3/74
- D. 235,823 7/1975 Hodge D6/176 X
- D. 253,980 1/1980 Schriever D6/179

OTHER PUBLICATIONS

Interiors, 1-1971, p. 44, "Pivotry", tray set top left center by Pipa.
Interiors, Nov. 1966, p. 134, "Storage Tower", top right.

Primary Examiner—Bruce W. Dunkins
Attorney, Agent, or Firm—Gregory J. Battersby

[57] CLAIM

The ornamental design for a bedside table, as shown and described.

DESCRIPTION

FIG. 1 is a perspective view of a bedside table showing our design with the pivotal drawers in closed position; FIG. 2 is a side elevational view; FIG. 3 is a top plan view; and FIG. 4 is a perspective view thereof showing the pivotal drawers in open position.

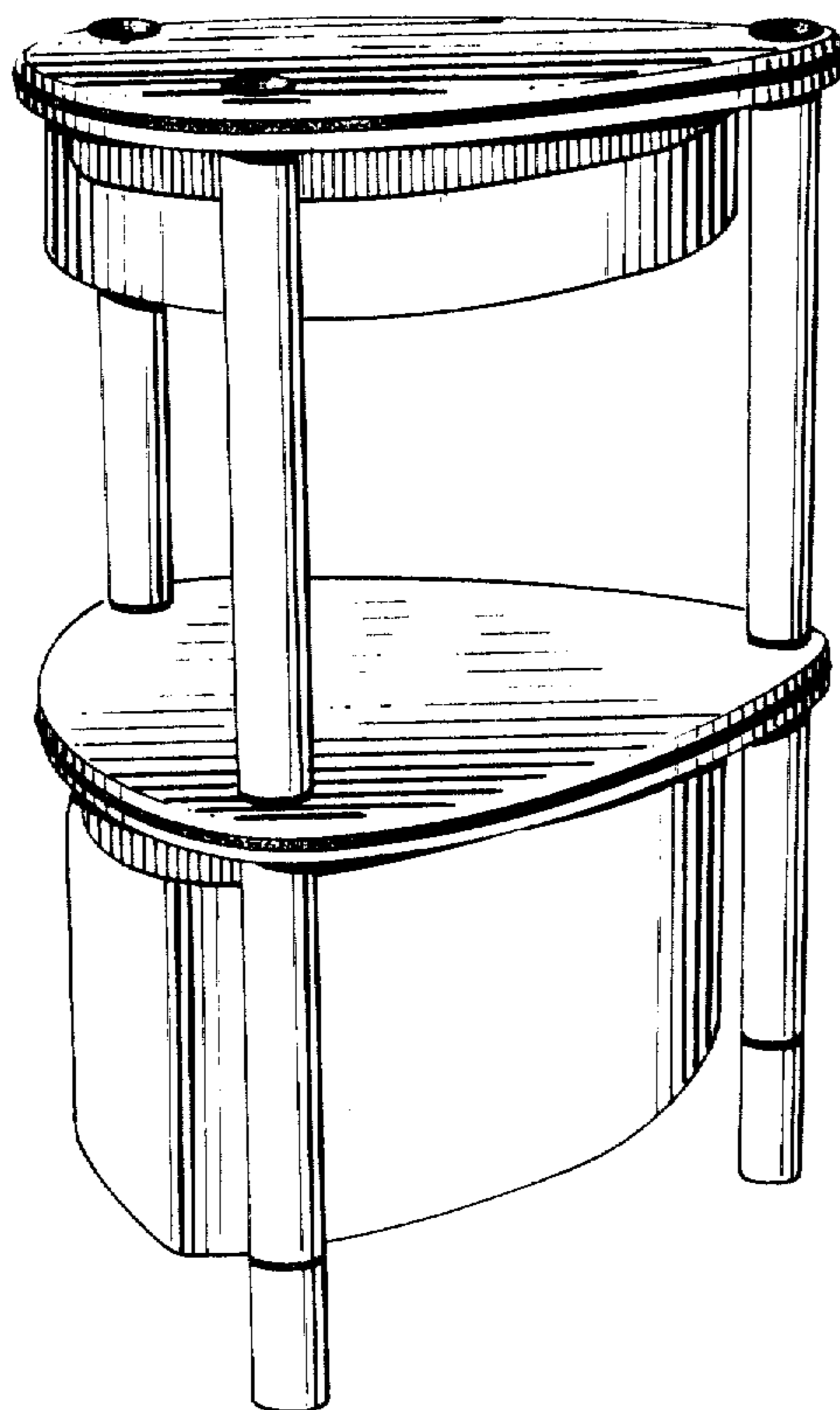


Fig. 4.

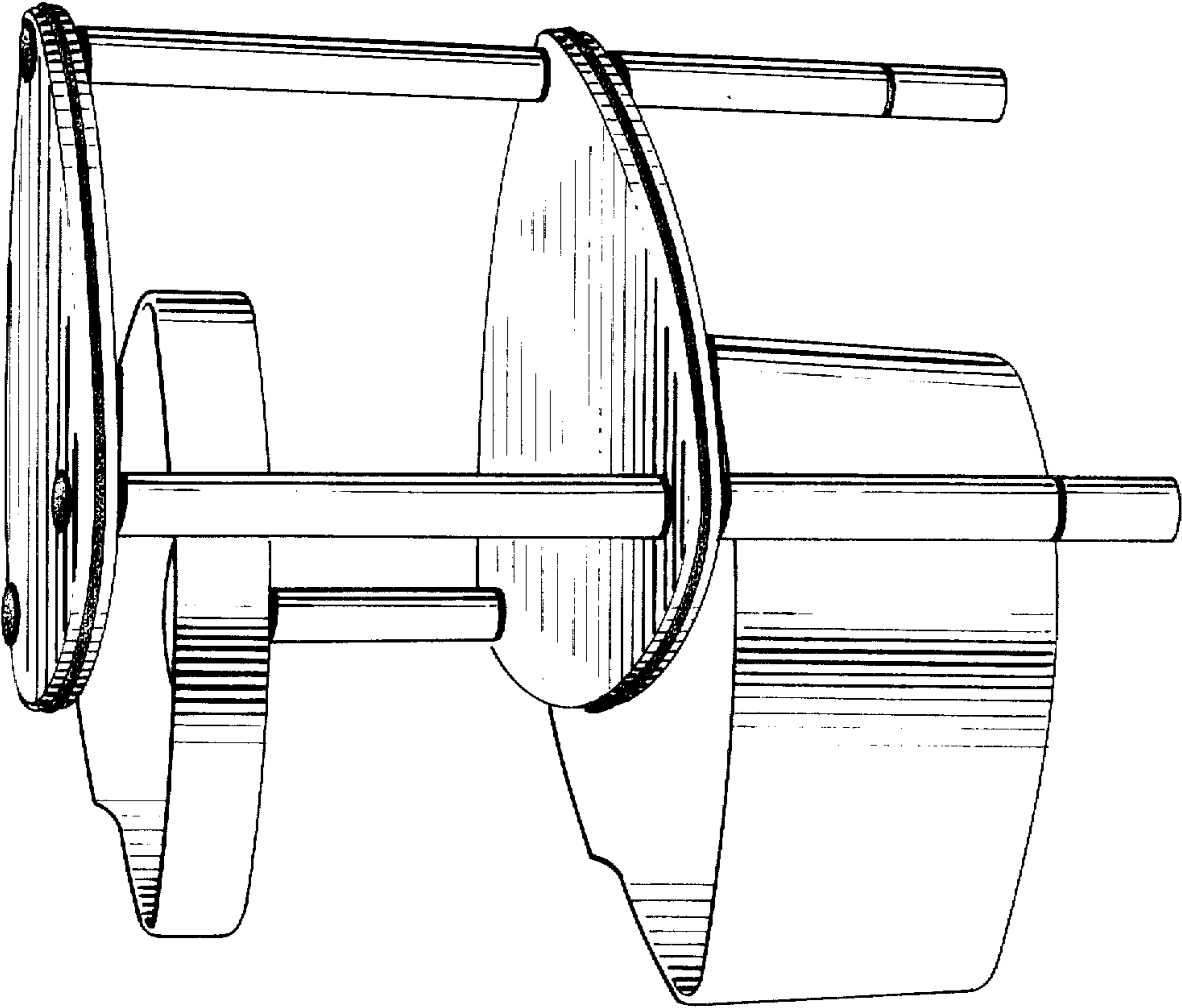


Fig. 1.

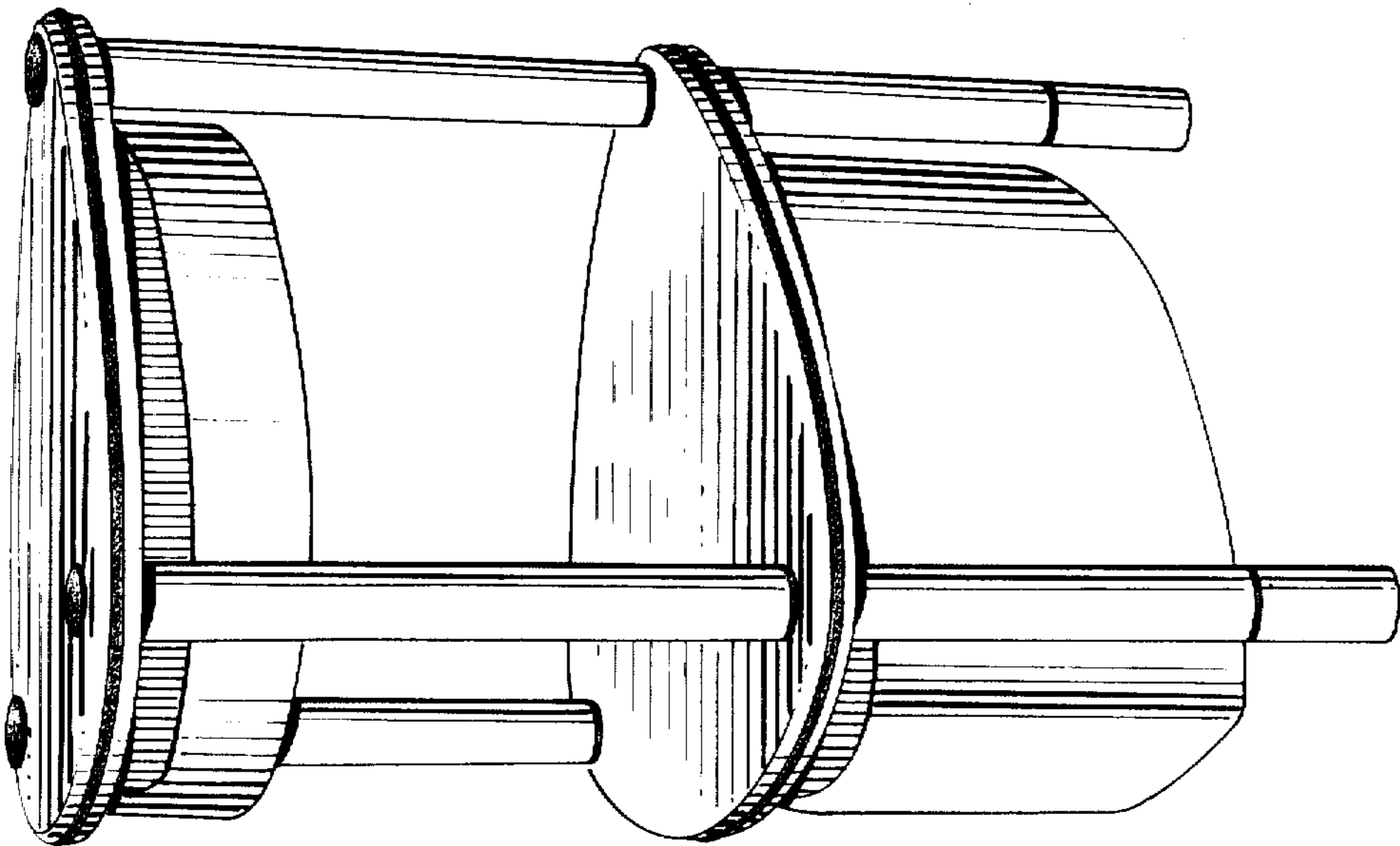


Fig. 3.

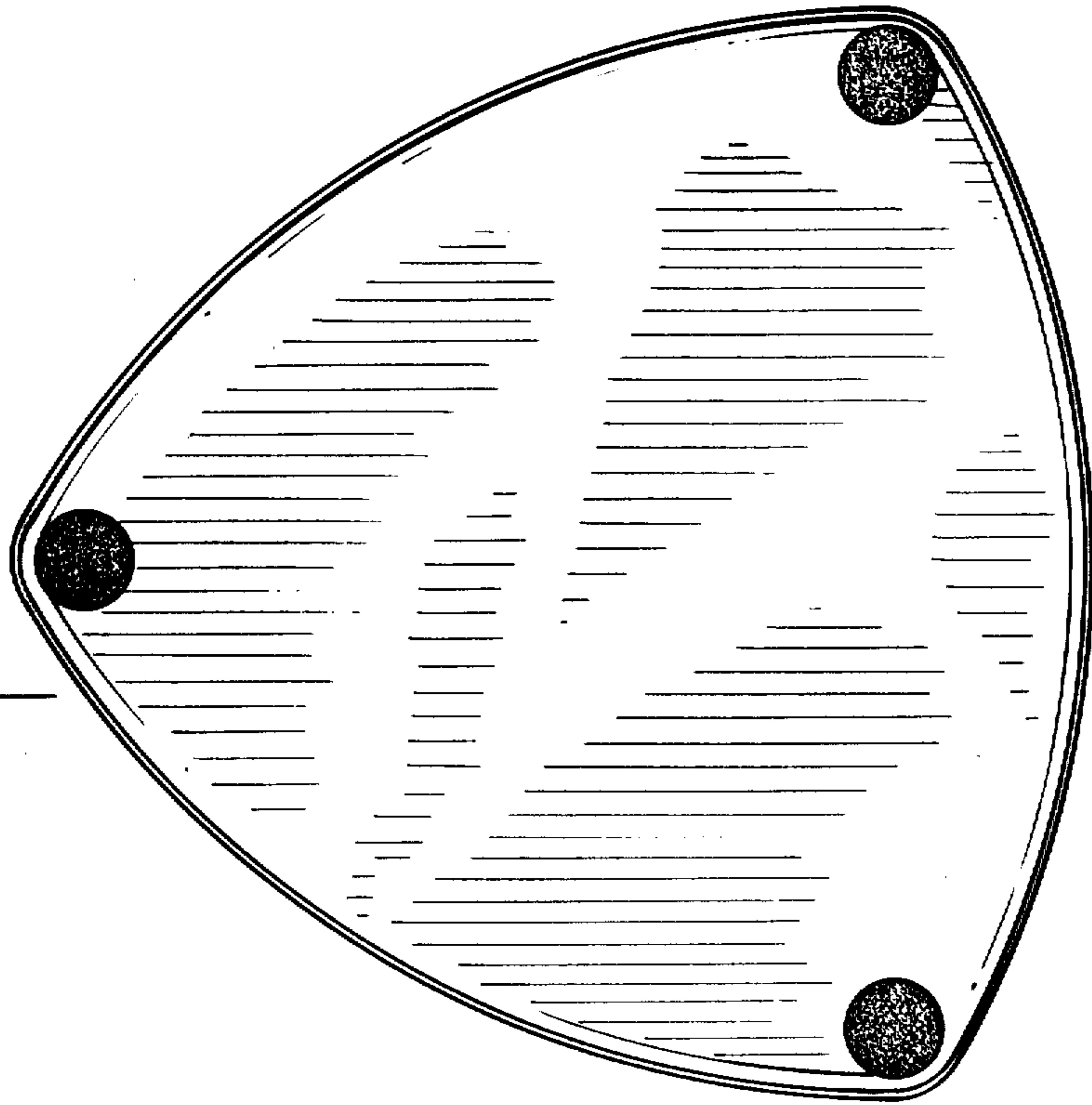


Fig. 2.

