

[54] CHAIR

[76] Inventor: Richard N. Steinberger, 106 7th Ave., Brooklyn, N.Y. 11215

[**] Term: 14 Years

[21] Appl. No.: 111,755

[22] Filed: Jan. 14, 1980

[51] Int. Cl. D6-01

[52] U.S. Cl. D6/67; D6/73

[58] Field of Search D6/67-78

[56] References Cited

U.S. PATENT DOCUMENTS

- D. 127,888 6/1941 Gedris D6/41
- D. 239,992 5/1976 Gabourie D6/67 X

- D. 249,834 10/1978 Gageby D6/67 X
- 3,450,435 6/1969 Stephens D6/67 X

OTHER PUBLICATIONS

Design Catalog, 6-1977, p. 76, Chair by Dysthe.

Primary Examiner—Bruce W. Dunkins

Attorney, Agent, or Firm—Gregory J. Battersby

[57] CLAIM

The ornamental design for a chair, as shown and described.

DESCRIPTION

FIG. 1 is a side perspective view illustrating the chair of the present invention;

FIG. 2 is a rear perspective view thereof;

FIG. 3 is a side view thereof; and

FIG. 4 is a rear view thereof.

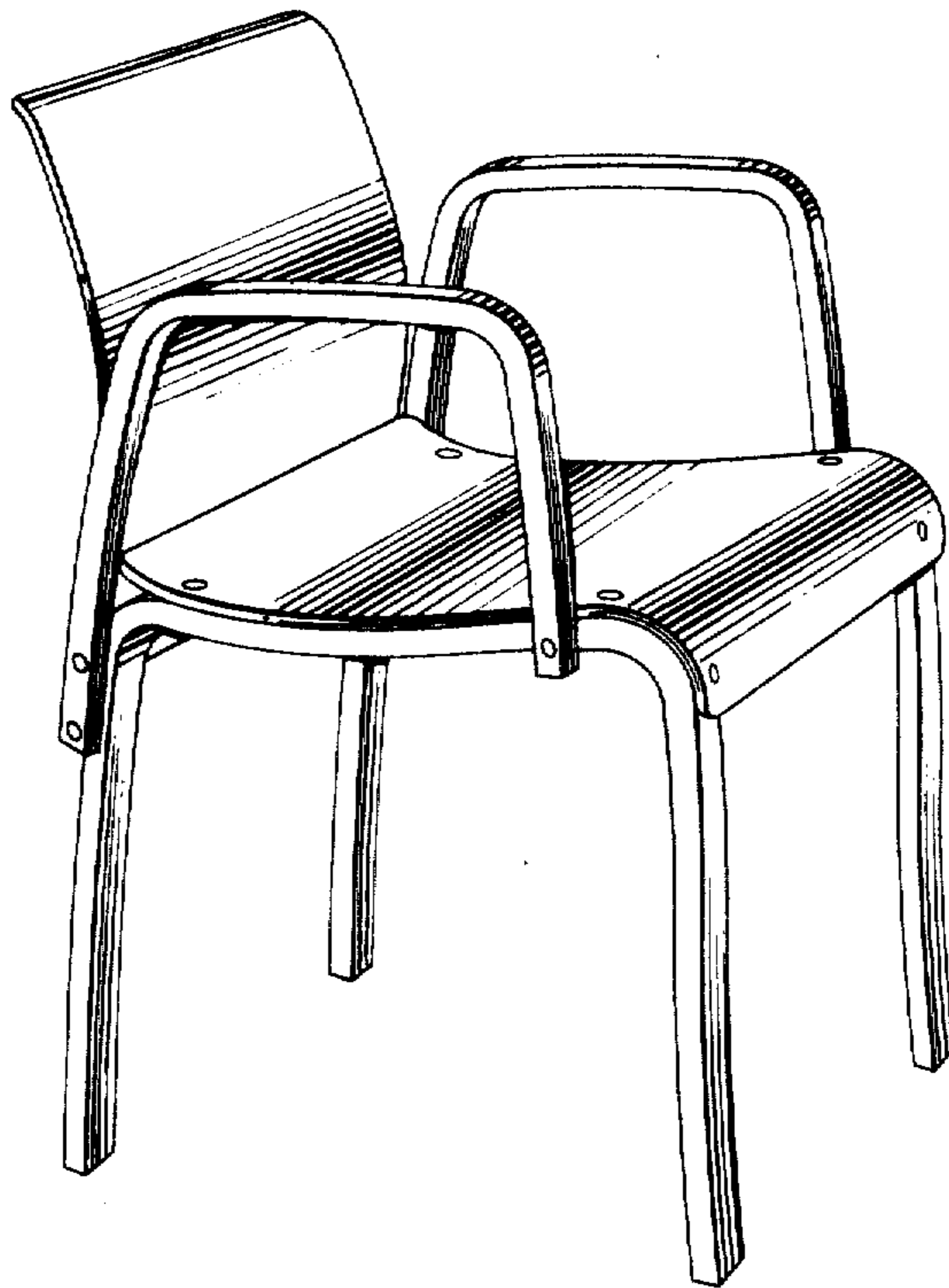


Fig. 1.

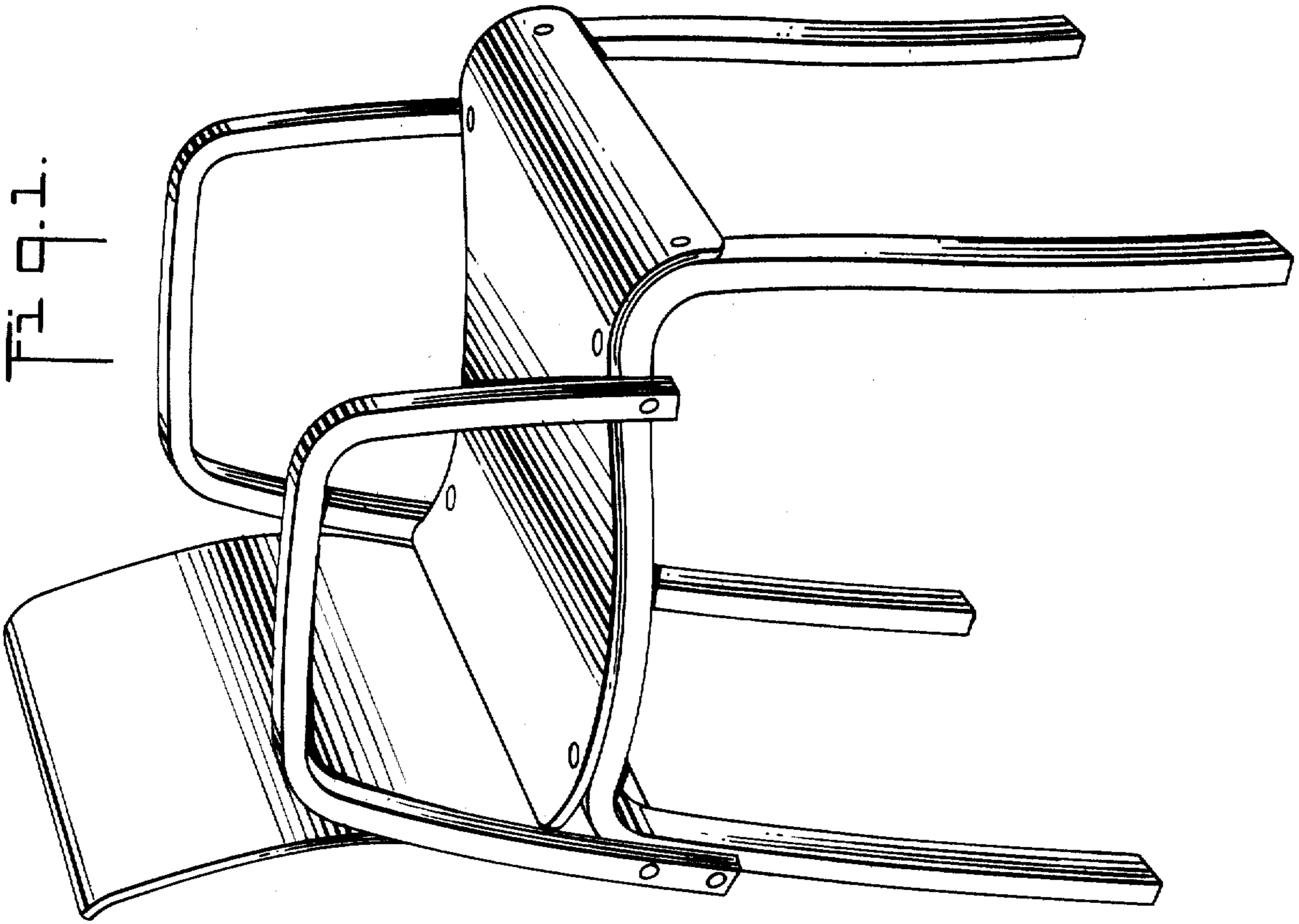
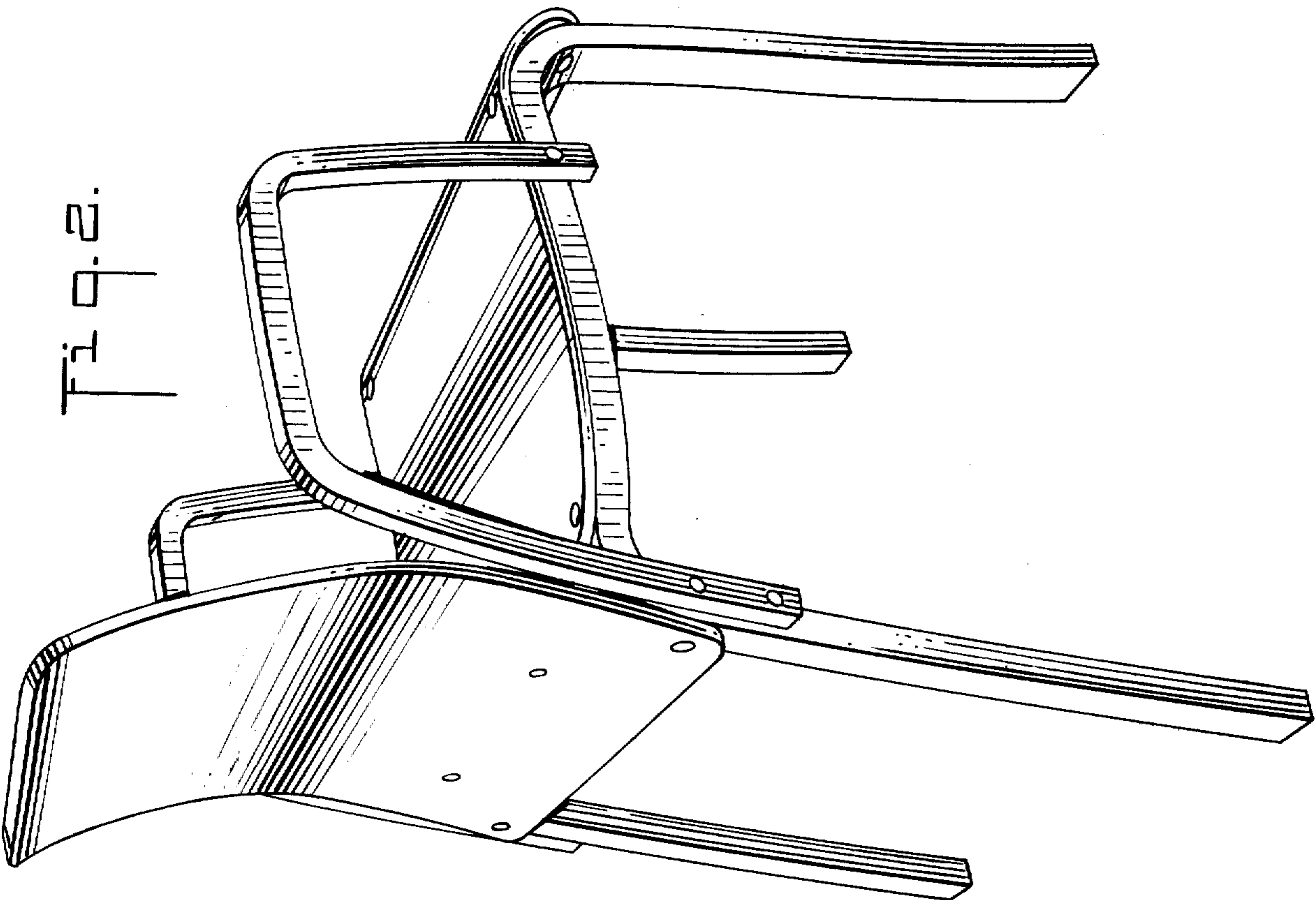


Fig. 2.



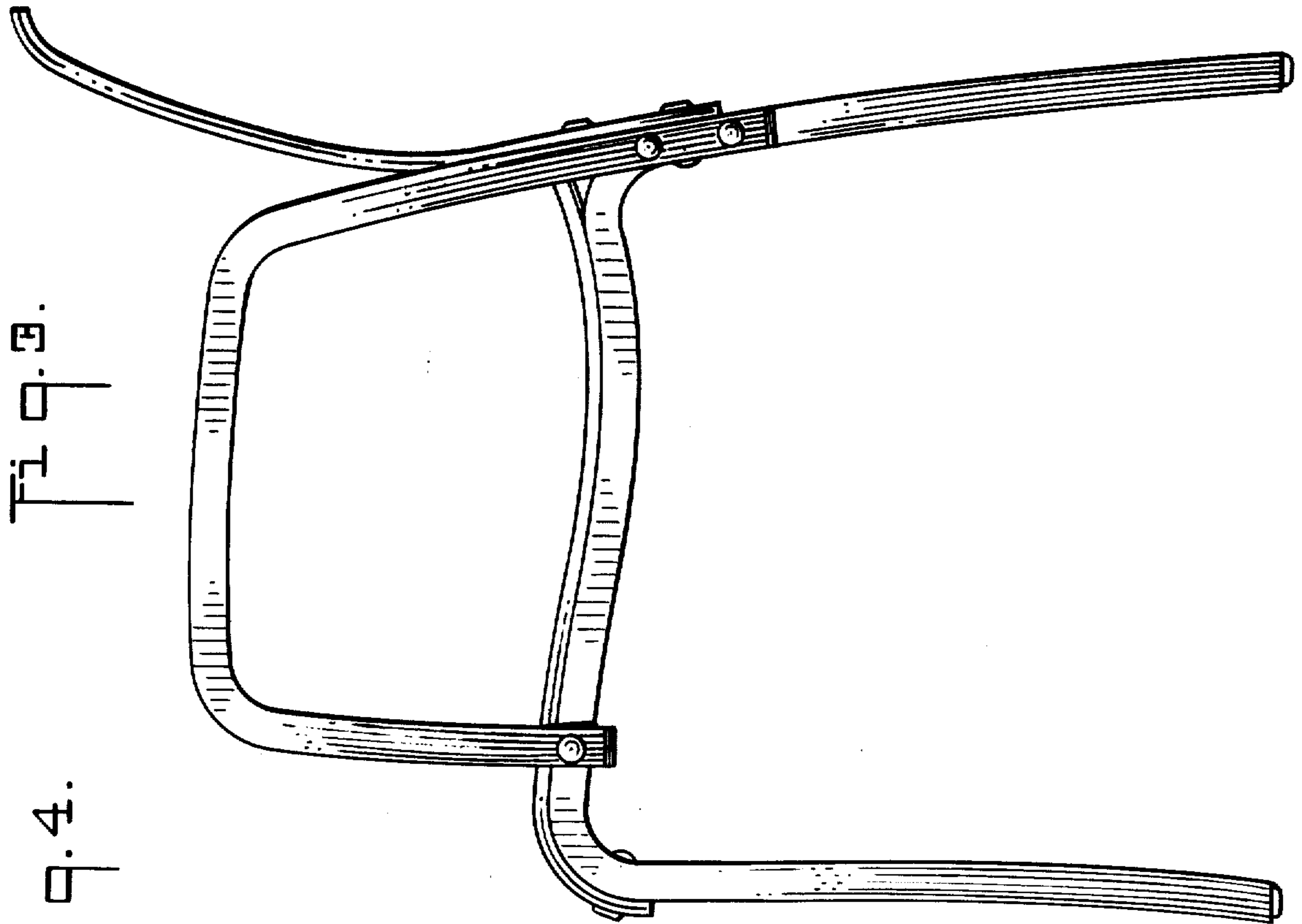


Fig. 4.

