

[54] **COMBINED CHAIR AND AUDIO-VISUAL LEARNING MODULE**

[76] Inventors: **Carol A. Andries**, 29419 Highway 149, Tomball, Tex. 77375; **Dennis L. Christiansen**, 204 Nomini Dr., Arnold, Md. 21012; **Francis M. Andries**, 29419 Highway 149, Tomball, Tex. 77375

[**] Term: **14 Years**

[21] Appl. No.: **78,060**

[22] Filed: **Sep. 24, 1979**

[51] Int. Cl. **D6-05**

[52] U.S. Cl. **D6/64**

[58] Field of Search **D6/22, 26, 30, 31, 47-78; 297/188, 194, 135, 160**

[56] **References Cited**

U.S. PATENT DOCUMENTS

- D. 201,129 5/1965 Solomon D6/22
- D. 215,597 10/1969 Rich D6/64

- D. 219,872 2/1971 Larsen D6/64 X
- D. 232,139 7/1974 Rodriquez D6/64 X
- D. 236,566 9/1975 Parchan D6/64
- D. 240,475 7/1976 Morgan D6/64 X

Primary Examiner—Bruce W. Dunkins

[57] **CLAIM**

The ornamental design for combined chair and audio-visual learning module, as shown.

DESCRIPTION

FIG. 1 is a side perspective view of a combined chair and audio-visual learning module showing our design; FIG. 2 is a right side view in elevation of the invention on a reduced scale; FIG. 3 is a view in front elevation of the invention on a reduced scale; FIG. 4 is a view in top plan of the invention on a reduced scale; FIG. 5 is a view in left side elevation of the invention on a reduced scale; FIG. 6 is a view in rear elevation of the invention on a reduced scale; FIG. 7 is a view in bottom plan of the invention.

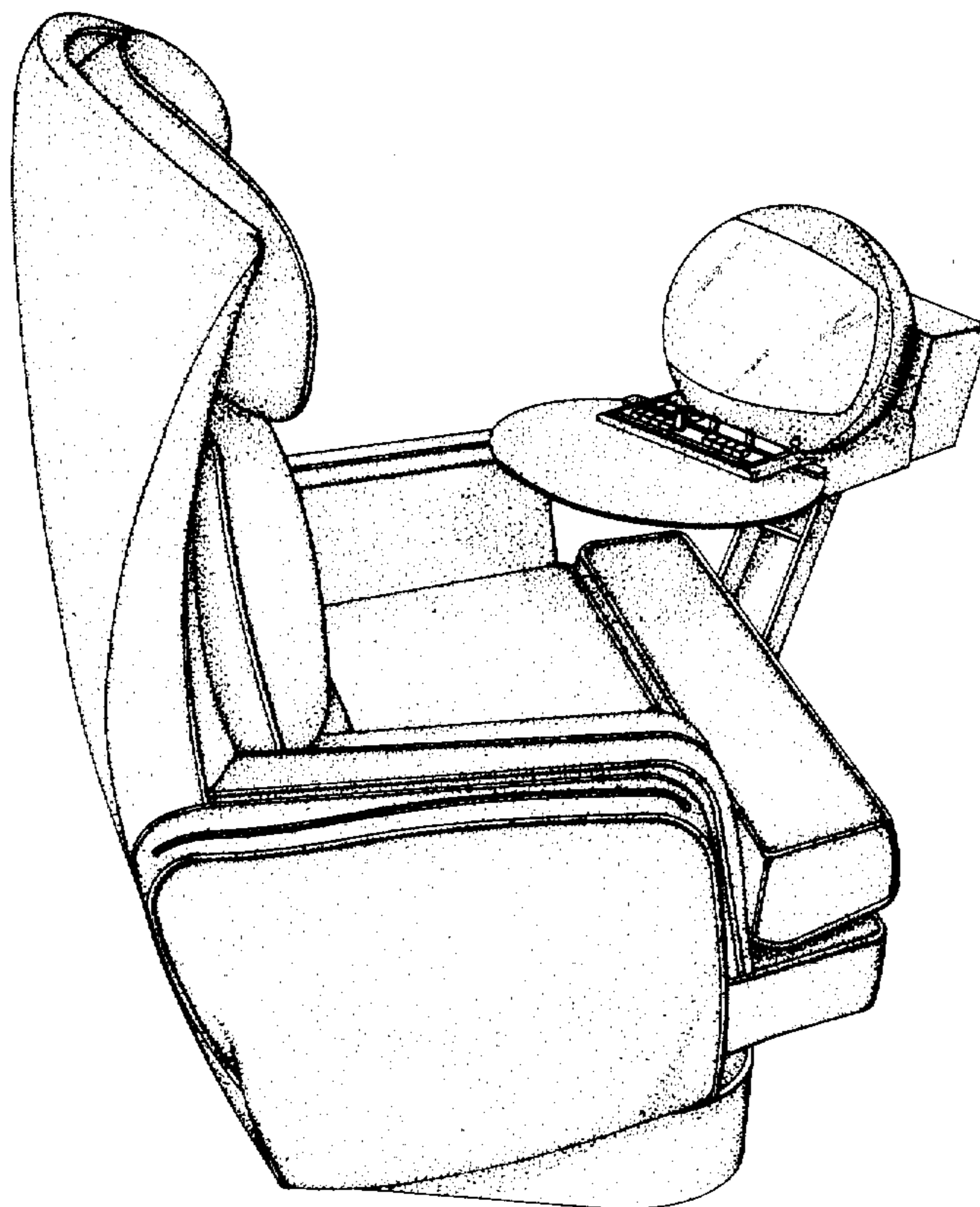
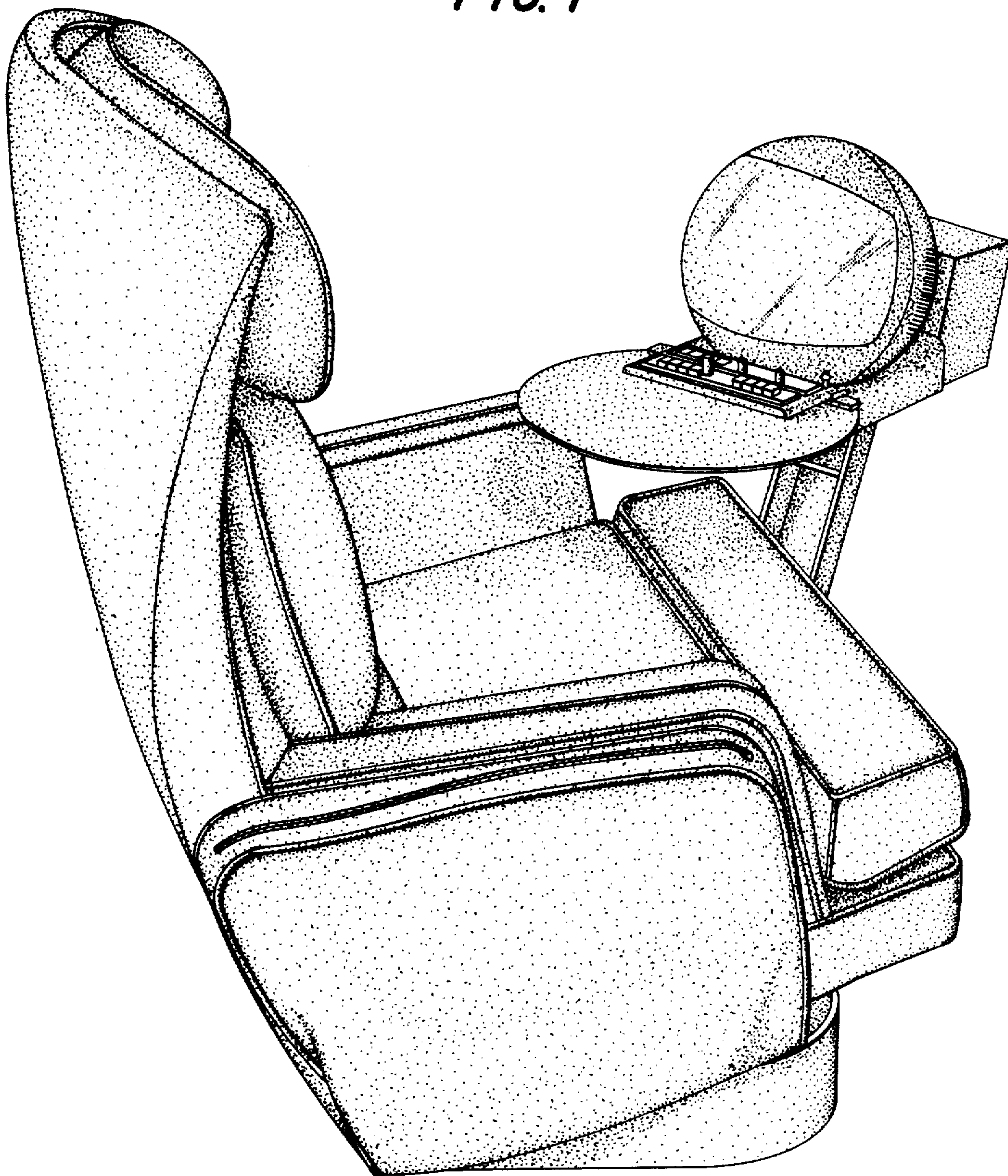


FIG. 1



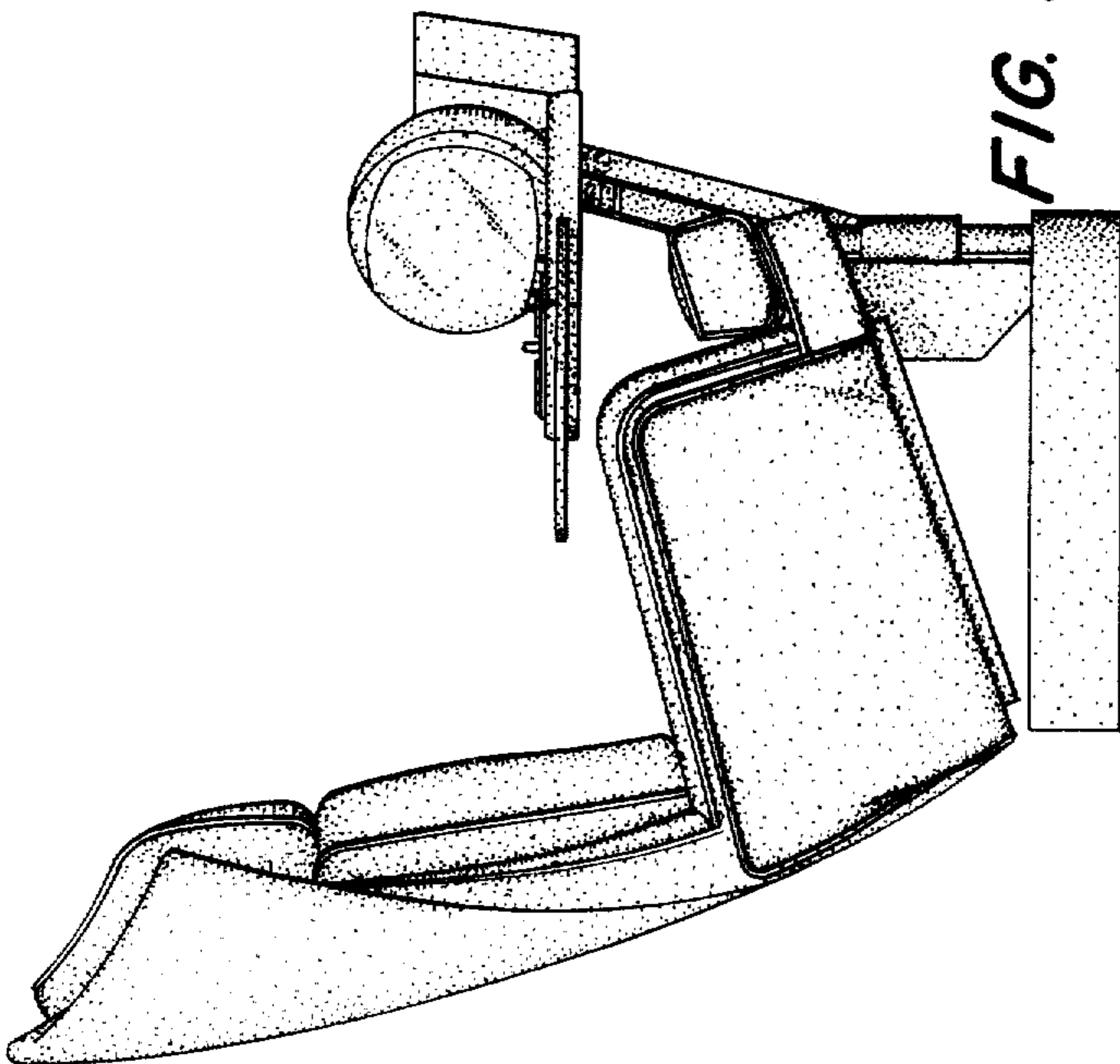


FIG. 2

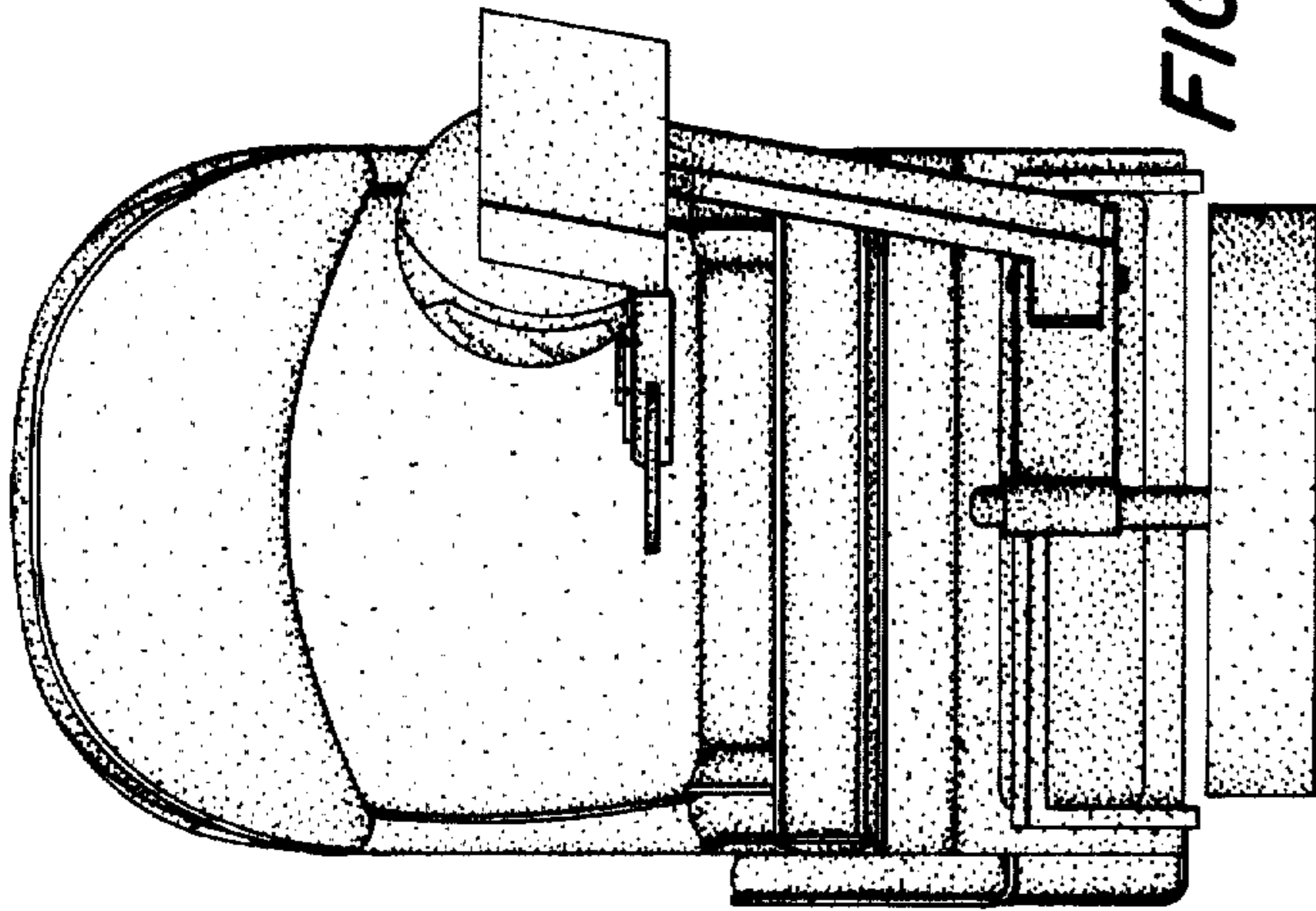


FIG. 3

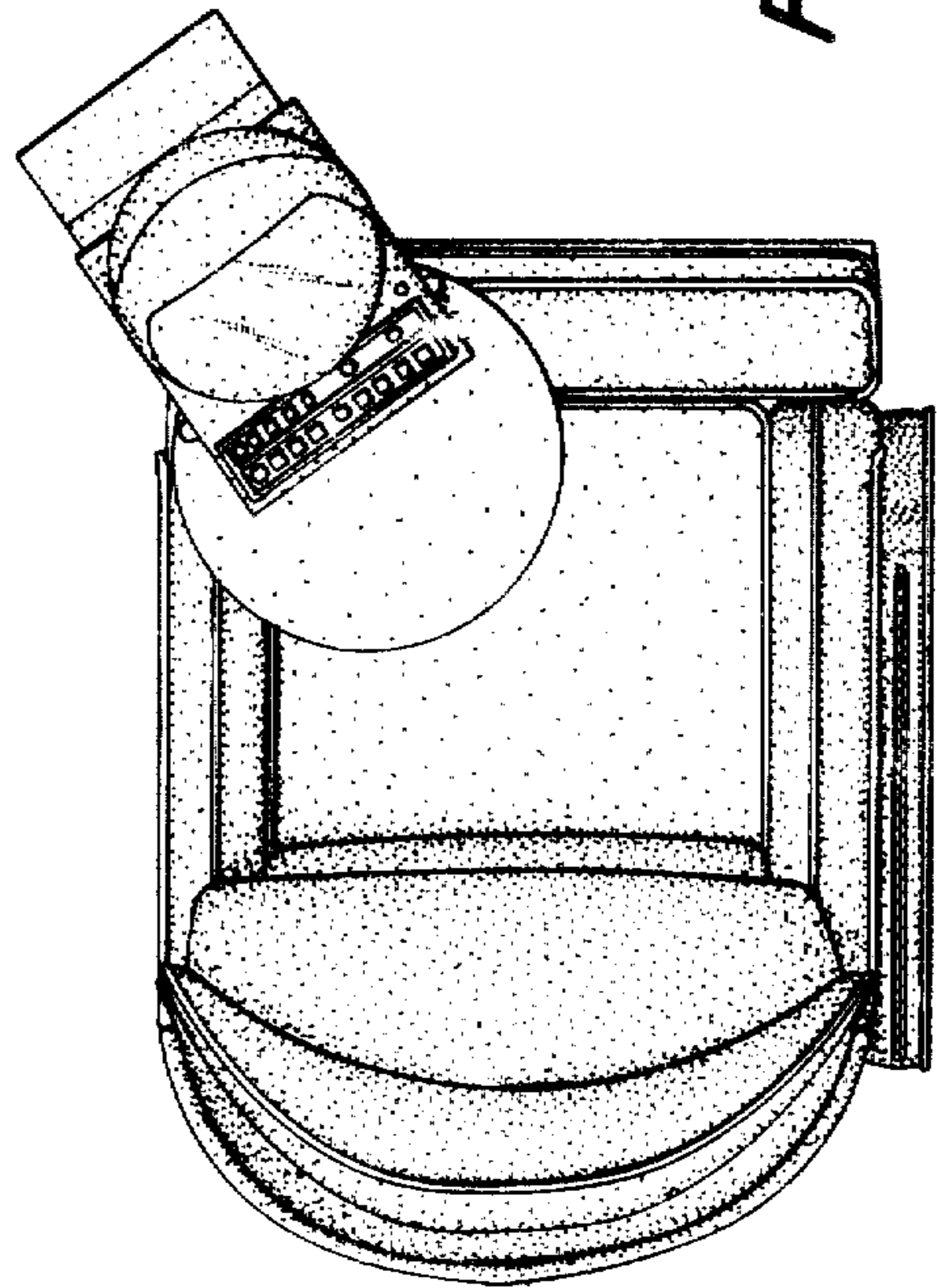


FIG. 4

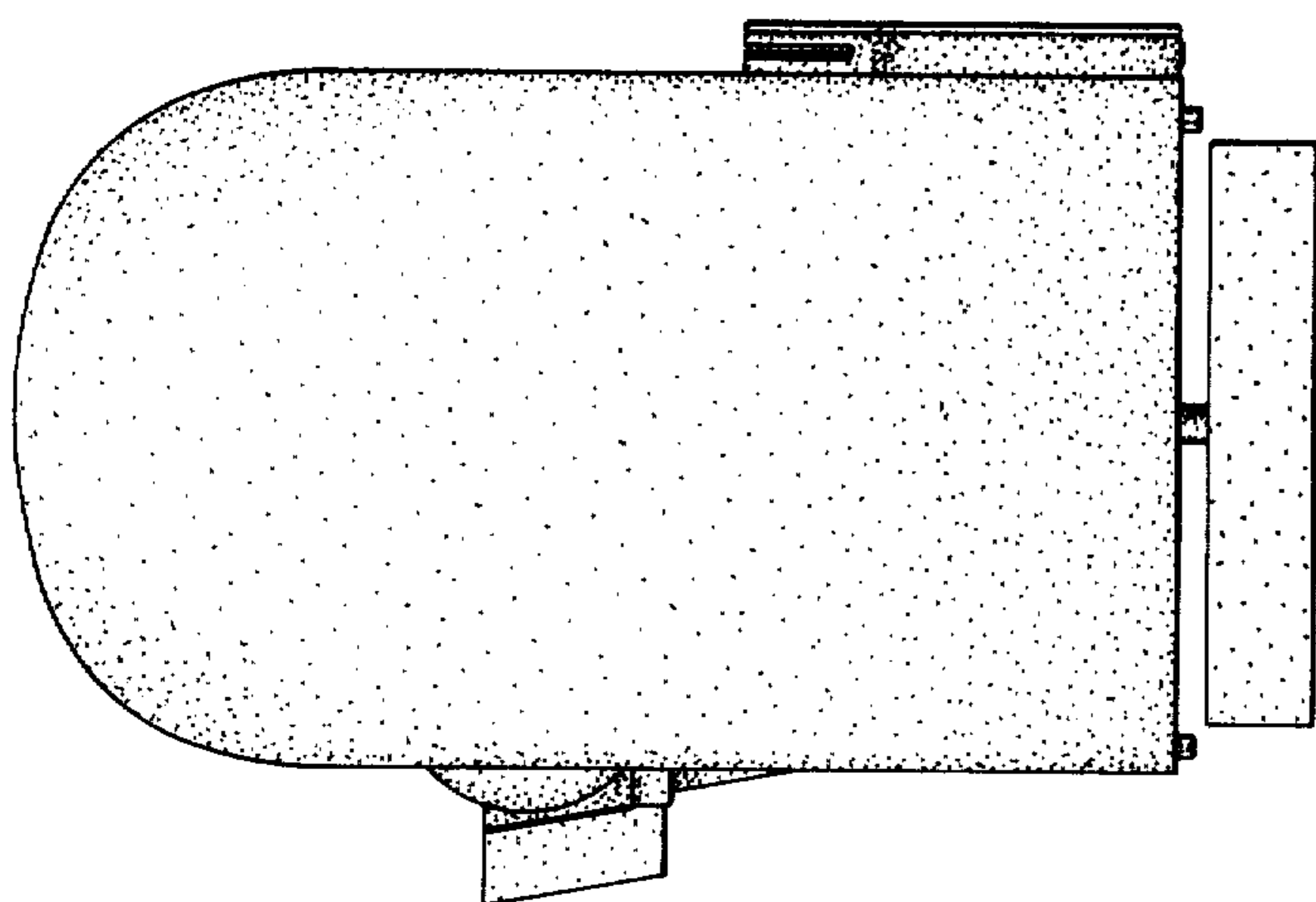


FIG. 6

FIG. 7

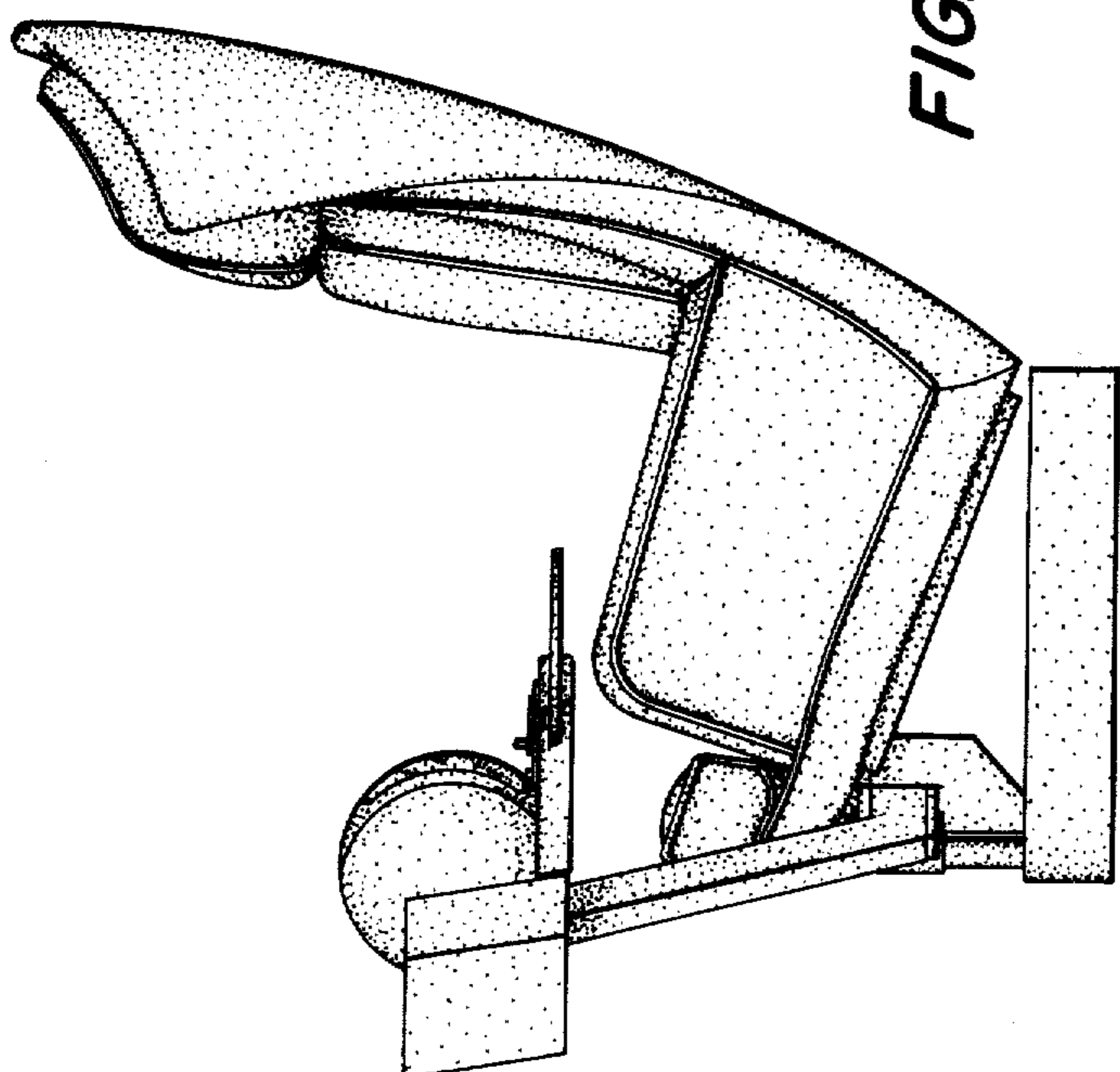
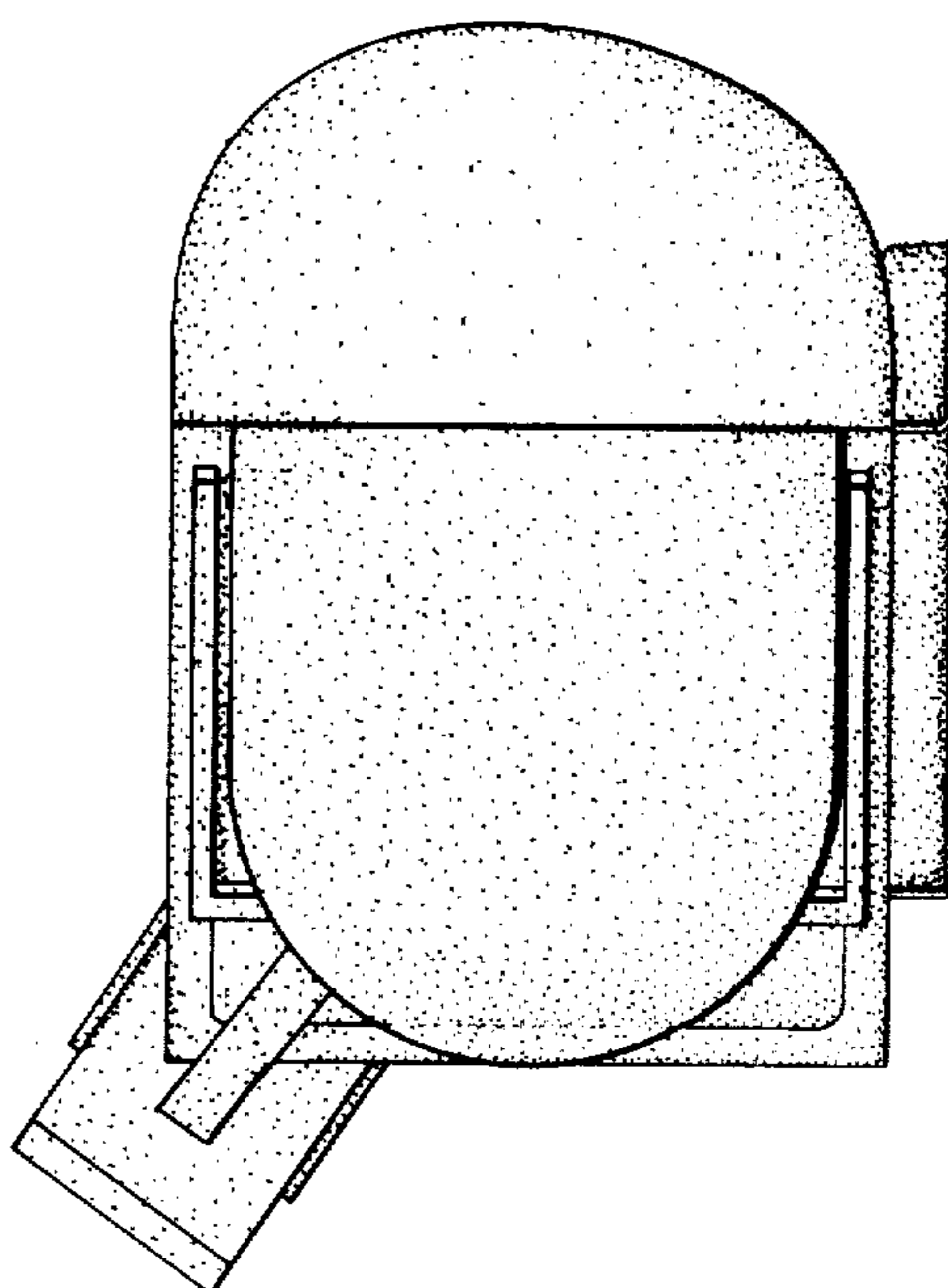


FIG. 5