

[54] CHAIR

[75] Inventors: Robert J. Aronowitz, New York; Bernard D. Katzanek, Brooklyn, both of N.Y.

[73] Assignee: Robert Bernard Associates, Brooklyn, N.Y.

[\*] Notice: The portion of the term of this patent subsequent to Nov. 24, 1995, has been disclaimed.

[\*\*] Term: 14 Years

[21] Appl. No.: 74,611

[22] Filed: Sep. 12, 1979

[51] Int. Cl. .... D6-01

[52] U.S. Cl. .... D6/47; D6/66

[58] Field of Search .... D6/47-78, D6/37-39

[56]

References Cited

U.S. PATENT DOCUMENTS

D. 132,793	6/1942	Reiss	.....	D6/47
D. 238,914	2/1976	Zapf	.....	D6/71
D. 239,671	4/1976	Offredi	.....	D6/47
D. 247,009	1/1978	Schöblom et al.	.....	D6/37
D. 251,938	5/1979	Spound et al.	.....	D6/47

Primary Examiner—Bruce W. Dunkins  
Attorney, Agent, or Firm—Gregory J. Battersby

[57]

CLAIM

The ornamental design for the chair, as shown and described.

DESCRIPTION

FIG. 1 is a front perspective view illustrating the chair of the present invention;  
FIG. 2 is a rear perspective view thereof;  
FIG. 3 is a side elevational view thereof; and  
FIG. 4 is a front elevational view thereof.

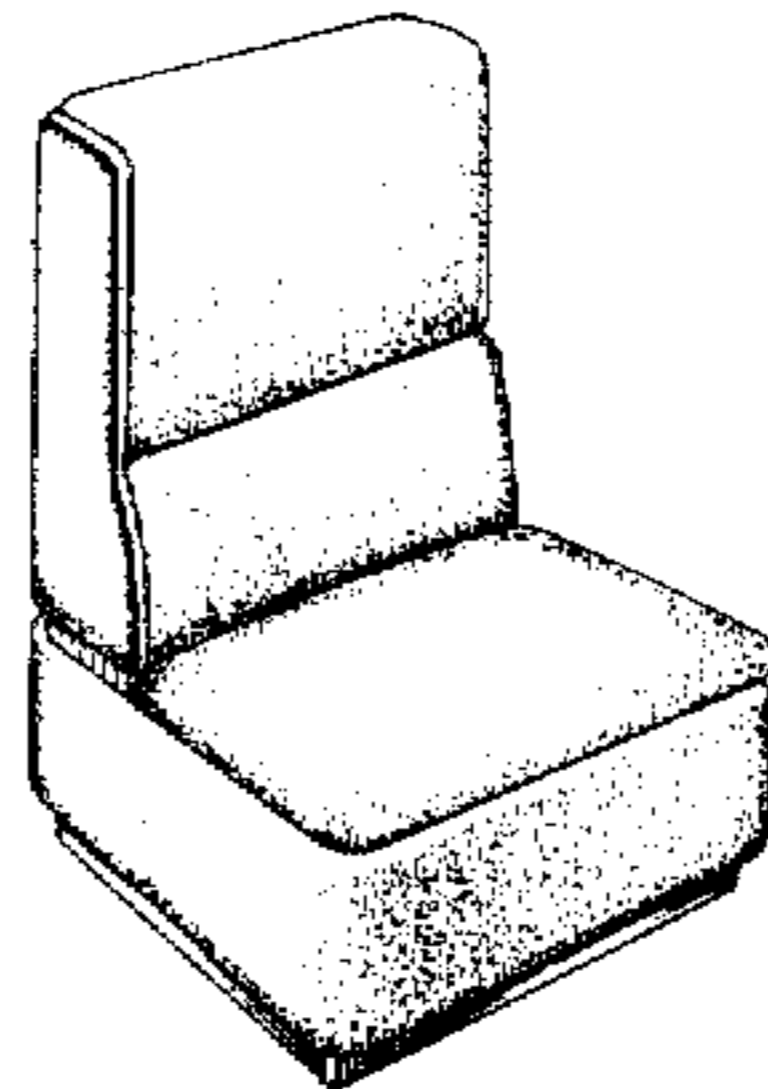


Fig. 1.

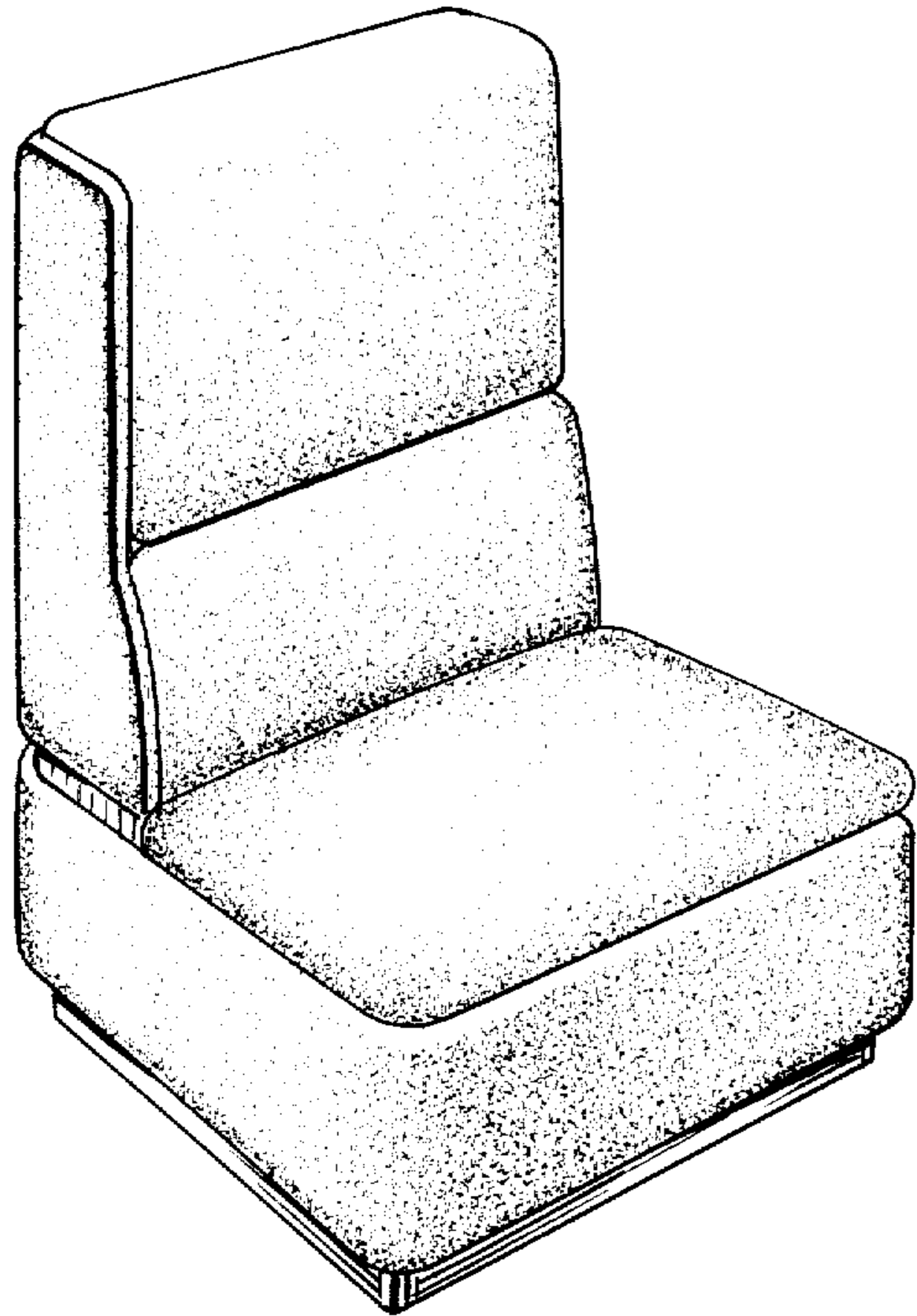


Fig. 2.

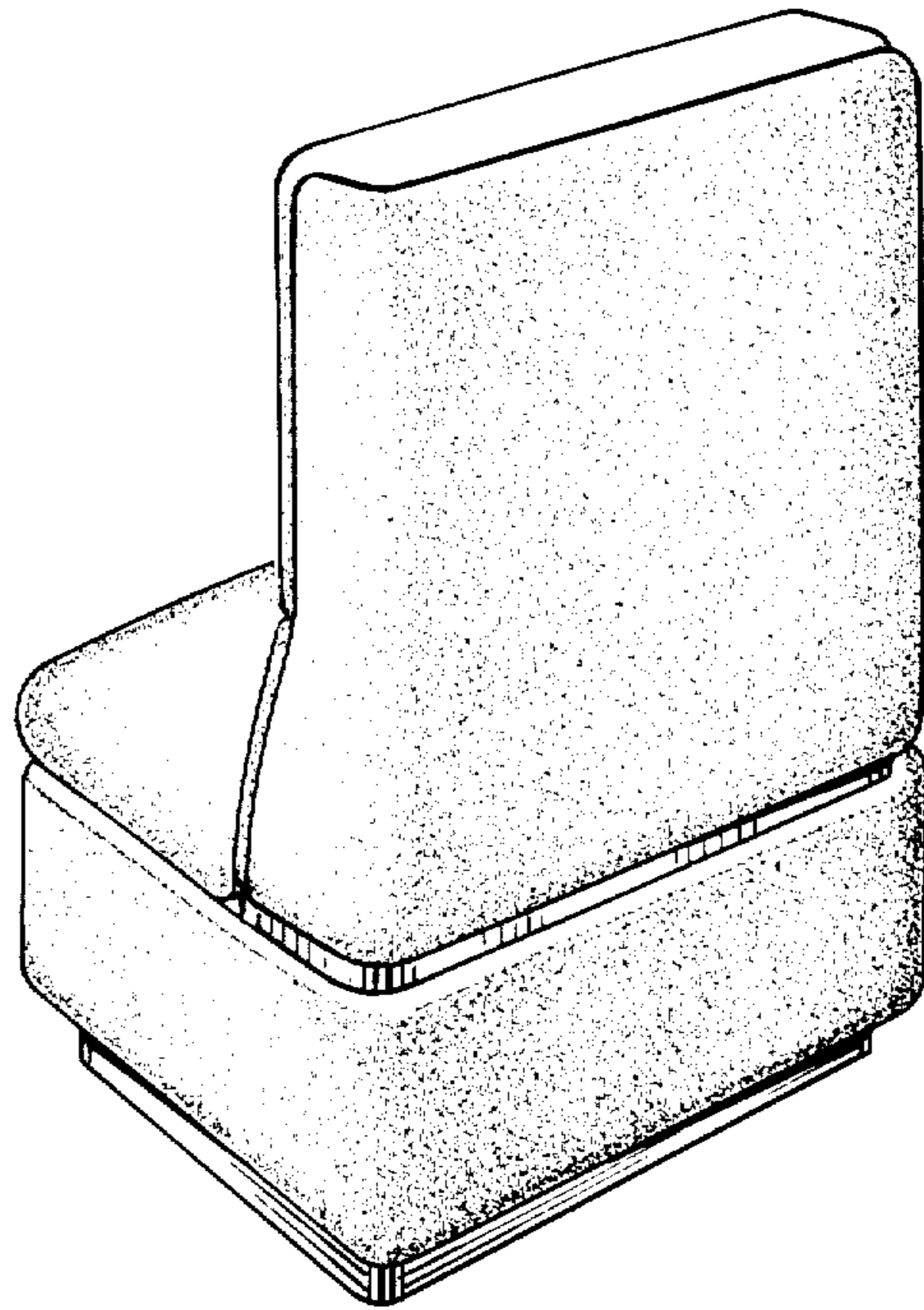


Fig. 3.

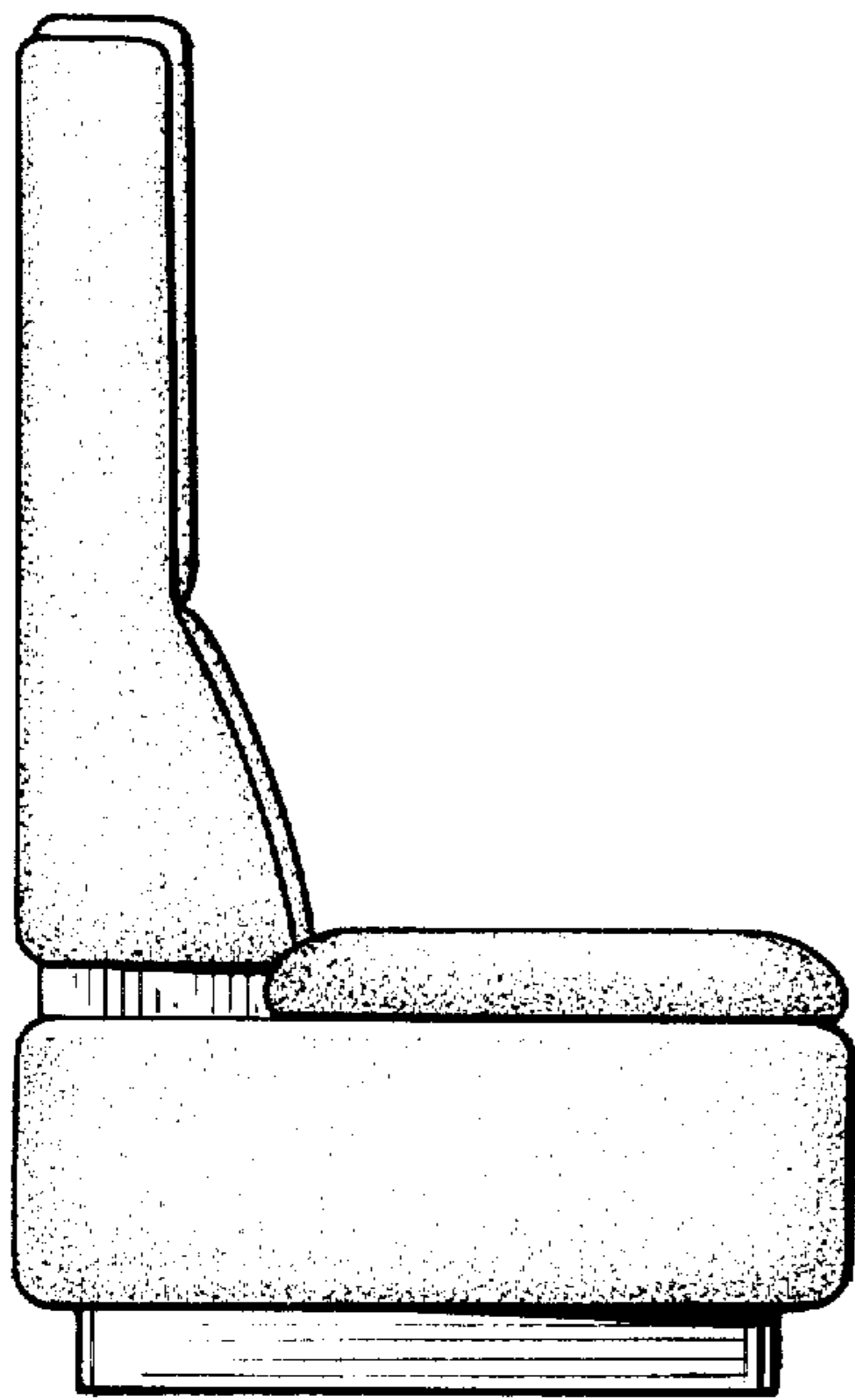


Fig. 4.

