

[54] SAFETY CLEAT OR SIMILAR ARTICLE

[75] Inventors: Choice R. Kinchen, Friendswood; Roy D. Phillips, Edgewood, both of Tex.

[73] Assignee: Custom Safety Products, Friendswood, Tex.

[**] Term: 14 Years

[21] Appl. No.: 137,736

[22] Filed: Apr. 7, 1980

[51] Int. Cl. D2-04

[52] U.S. Cl. D2/317

[58] Field of Search D2/317, 311, 277, 264, D2/314; 36/7.6, 59 C

[56] References Cited

U.S. PATENT DOCUMENTS

1,275,917	8/1918	Herman	D2/317 X
1,277,135	8/1918	Schemel	D2/317 X
1,399,682	12/1921	Bardon	36/7.6
2,189,884	2/1940	Dow	36/7.6
2,446,370	8/1948	Henderson	D2/317 X
3,019,533	2/1962	Smith	D2/317 X
3,229,389	1/1966	Adams	D2/277 X
3,691,659	9/1972	Nakajima	36/7.6

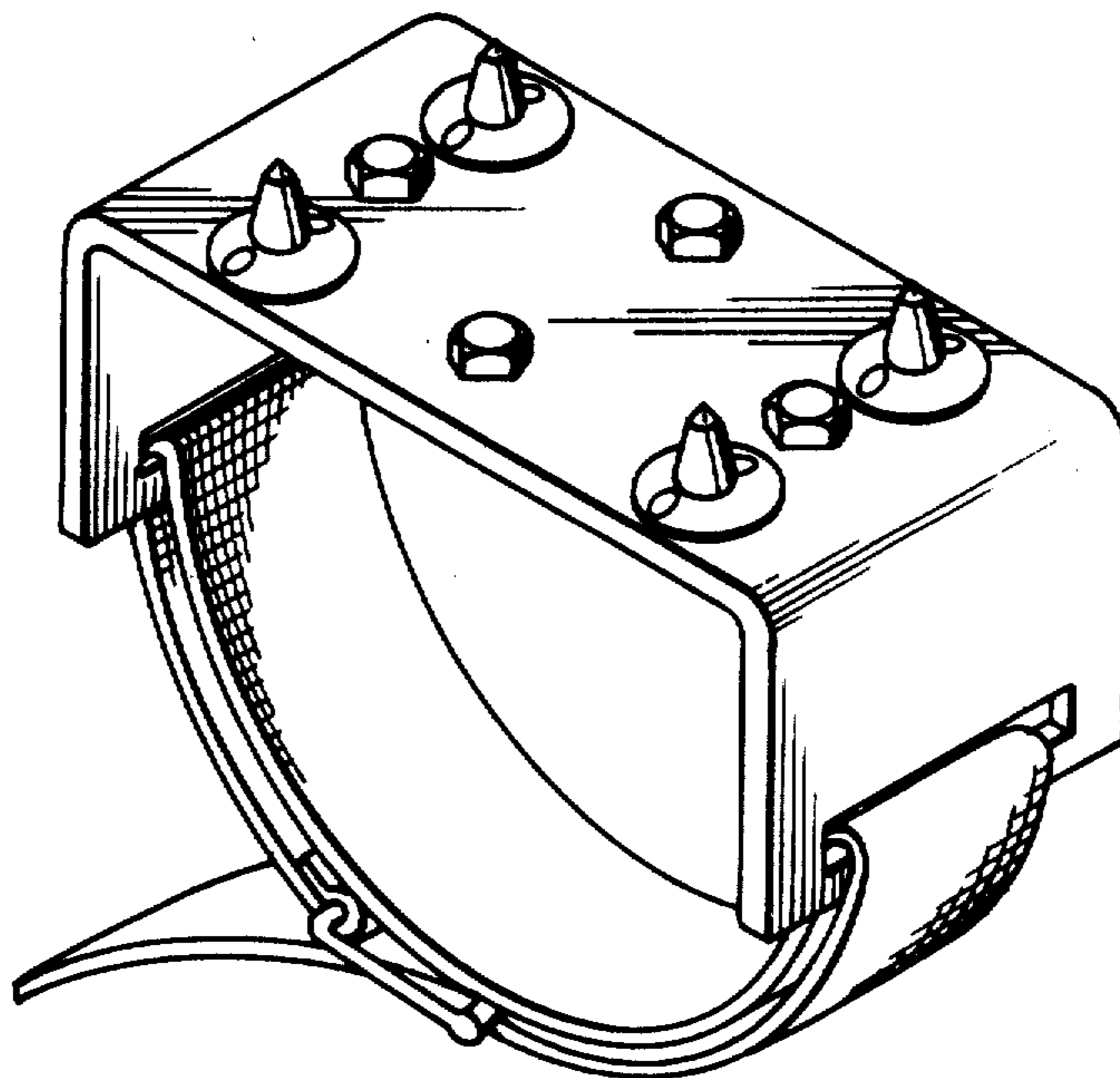
Primary Examiner—Nelson C. Holtje
Attorney, Agent, or Firm—Guy E. Matthews

[57] CLAIM

The ornamental design for a safety cleat or similar article, substantially as shown and described.

DESCRIPTION

FIG. 1 is a top isometric view of a safety cleat or similar article showing our new design;
FIG. 2 is a bottom isometric view thereof.



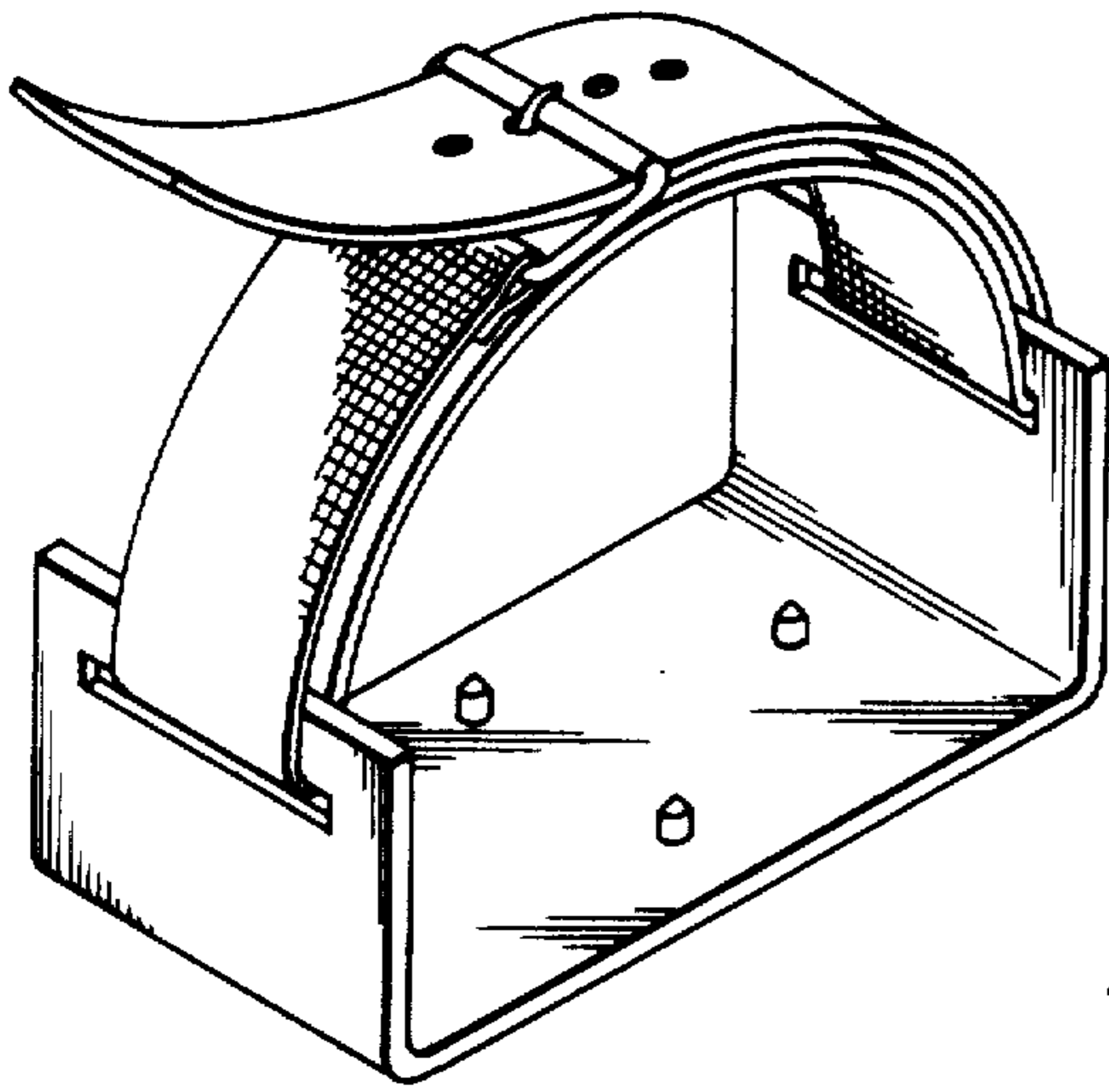


fig.1

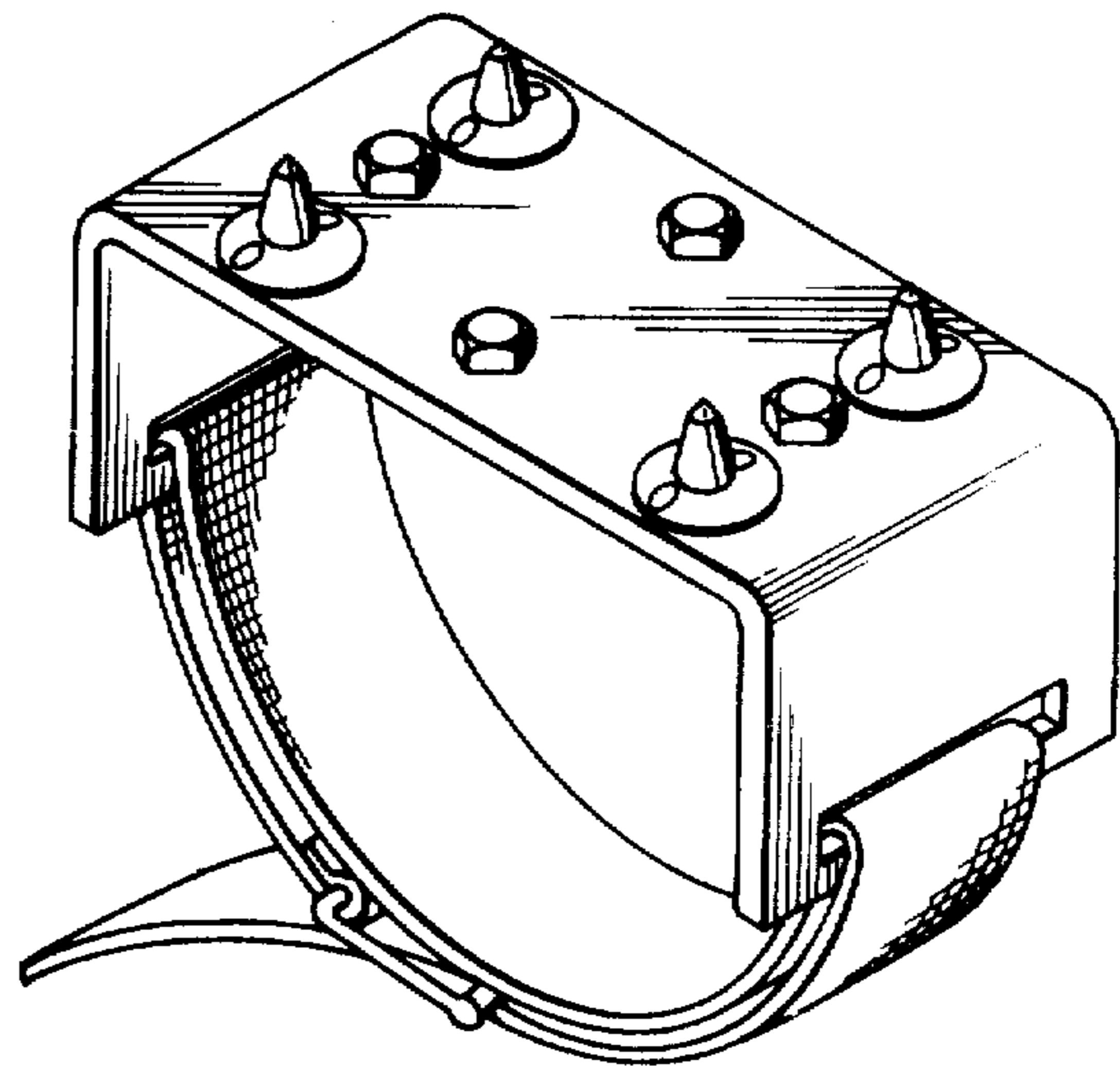


fig.2