

[54] **EXPANDED PANEL OF EXTRUDED METAL**

[75] **Inventor:** William L. Jury, Royal Park, Australia

[73] **Assignee:** John McIlwraith Industries Ltd., Royal Park, Australia

[**] **Term:** 14 Years

[21] **Appl. No.:** 134,792

[22] **Filed:** Mar. 28, 1980

[30] **Foreign Application Priority Data**

Oct. 2, 1979 [AU] Australia 79141

[51] **Int. Cl.** D25-01

[52] **U.S. Cl.** D92/26; D25/89

[58] **Field of Search** D25/76, 87, 88, 89, D25/90, 91; 29/6.1; 52/635, 670; D92/26

[56] **References Cited**

U.S. PATENT DOCUMENTS

D. 239,827	5/1976	Howells	D25/89
885,158	4/1908	Kahn	52/670
3,851,362	12/1974	Jury et al.	29/6.1
3,962,763	6/1976	Jury	52/635 X

FOREIGN PATENT DOCUMENTS

21801	of 1910	United Kingdom	52/670
-------	---------	----------------	-------	--------

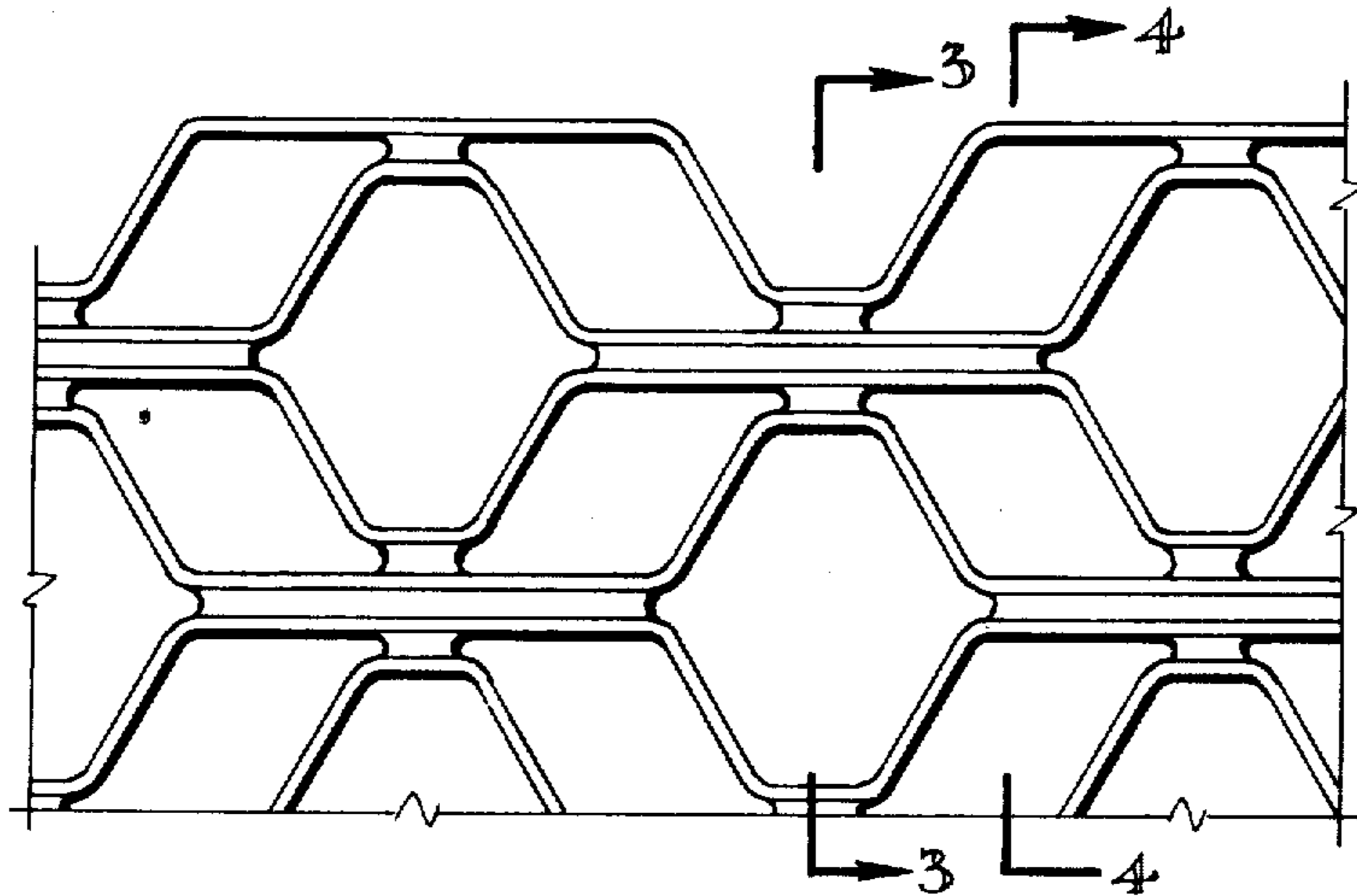
Primary Examiner—A. Hugo Word
Attorney, Agent, or Firm—Norbert P. Holler

[57] **CLAIM**

The ornamental design for an expanded panel of extruded metal, substantially as shown and described.

DESCRIPTION

FIG. 1 is a plan view of the panel; FIG. 2 is a fragmentary enlarged view of portion of the panel showing configuration thereof in greater detail; FIG. 3 is a section taken on line 3—3 of FIG. 2 and drawn to a still further enlarged scale; and FIG. 4 is a section taken on line 4—4 of FIG. 2 and shown to a further enlarged scale.



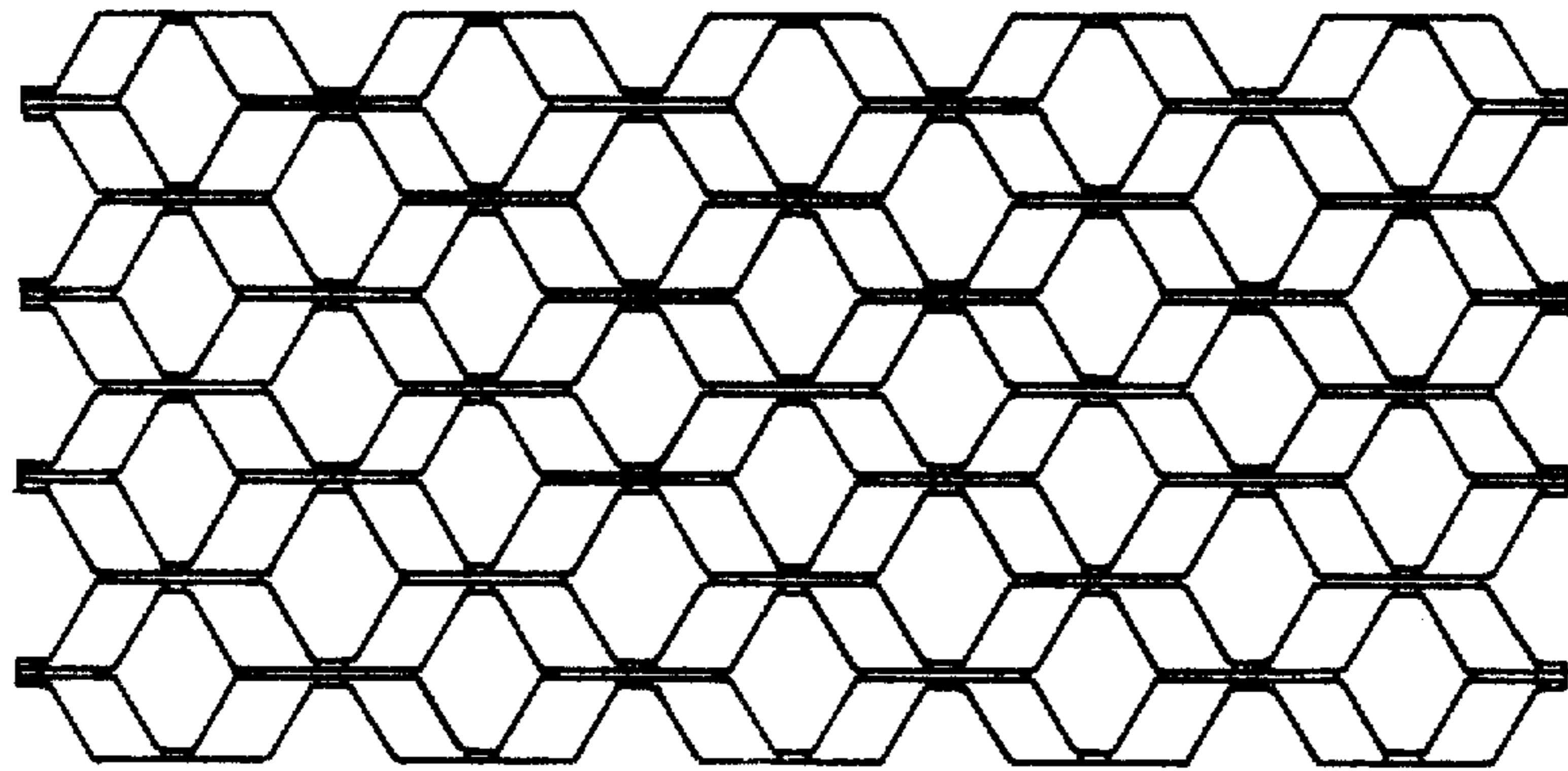


Fig. 1

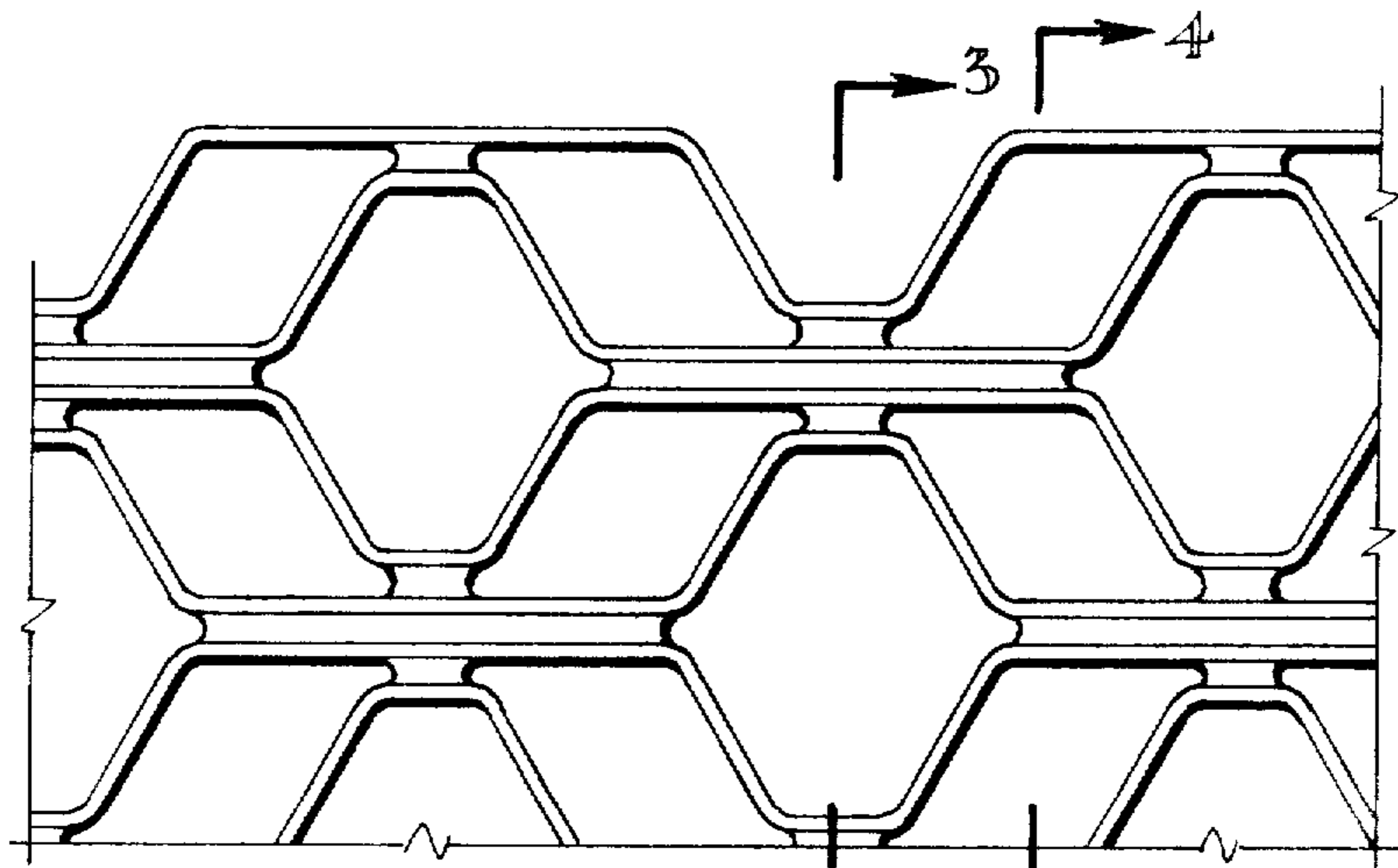


Fig. 2

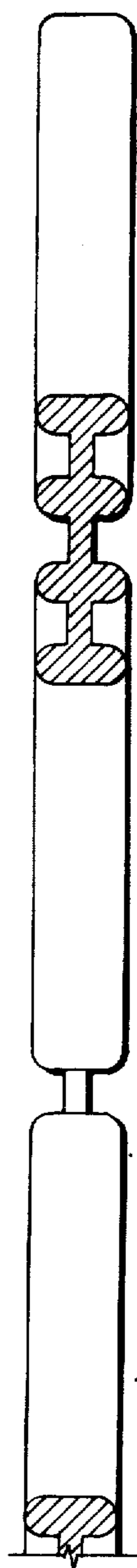


Fig. 3

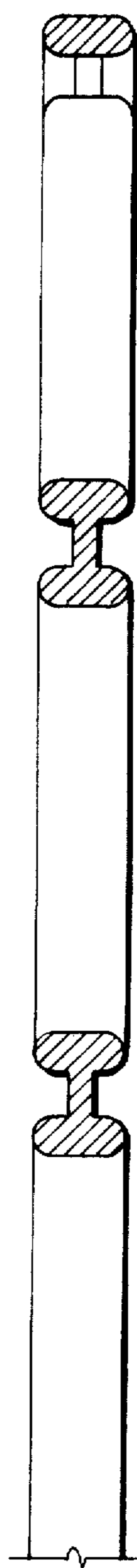


Fig. 4