

[54] PIPE

[56]

References Cited

U.S. PATENT DOCUMENTS

[76] Inventor: S. Franklin Sher, 609 Lochmoor, Danville, Calif. 94526

D. 247,255 2/1978 Frost ..... D27/3  
3,882,875 5/1975 Frost ..... D27/3 X

[\*\*] Term: 14 Years

Primary Examiner—Catherine E. Kemper  
Attorney, Agent, or Firm—Limbach, Limbach & Sutton

[21] Appl. No.: 156,315

[57] CLAIM

The ornamental design for a pipe, as shown and described.

[22] Filed: Jun. 2, 1980

DESCRIPTION

[51] Int. Cl. .... D27—02

[52] U.S. Cl. .... D27/3

[58] Field of Search ..... D27/3-7;  
131/170 R, 171 R, 173, 191, 195, 198 R, 216

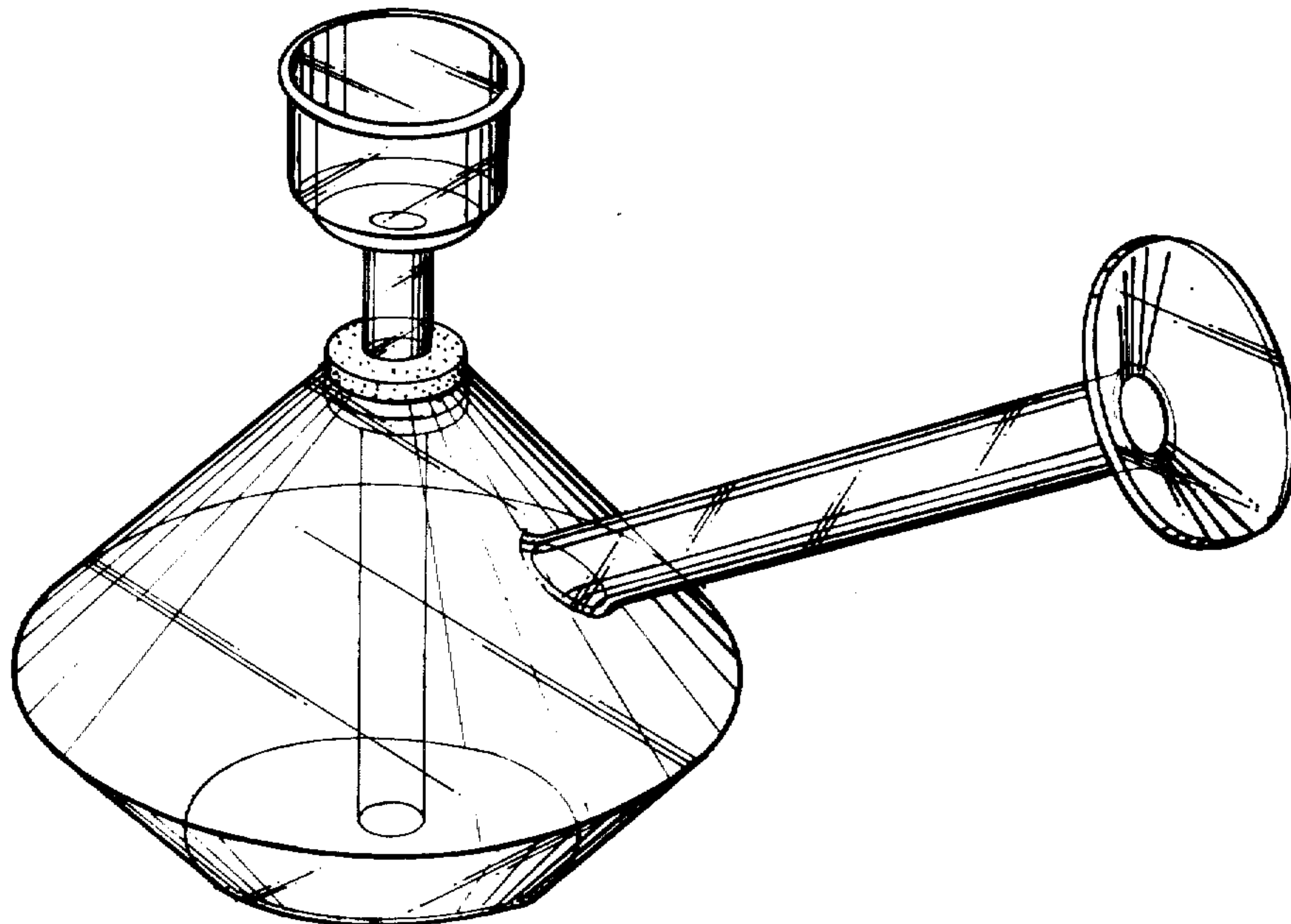
FIG. 1 is a perspective view of a pipe showing my new design;

FIG. 2 is a top plan view thereof;

FIG. 3 is a right elevational view thereof;

FIG. 4 is a rear elevational view thereof; and

FIG. 5 is a bottom plan view thereof.



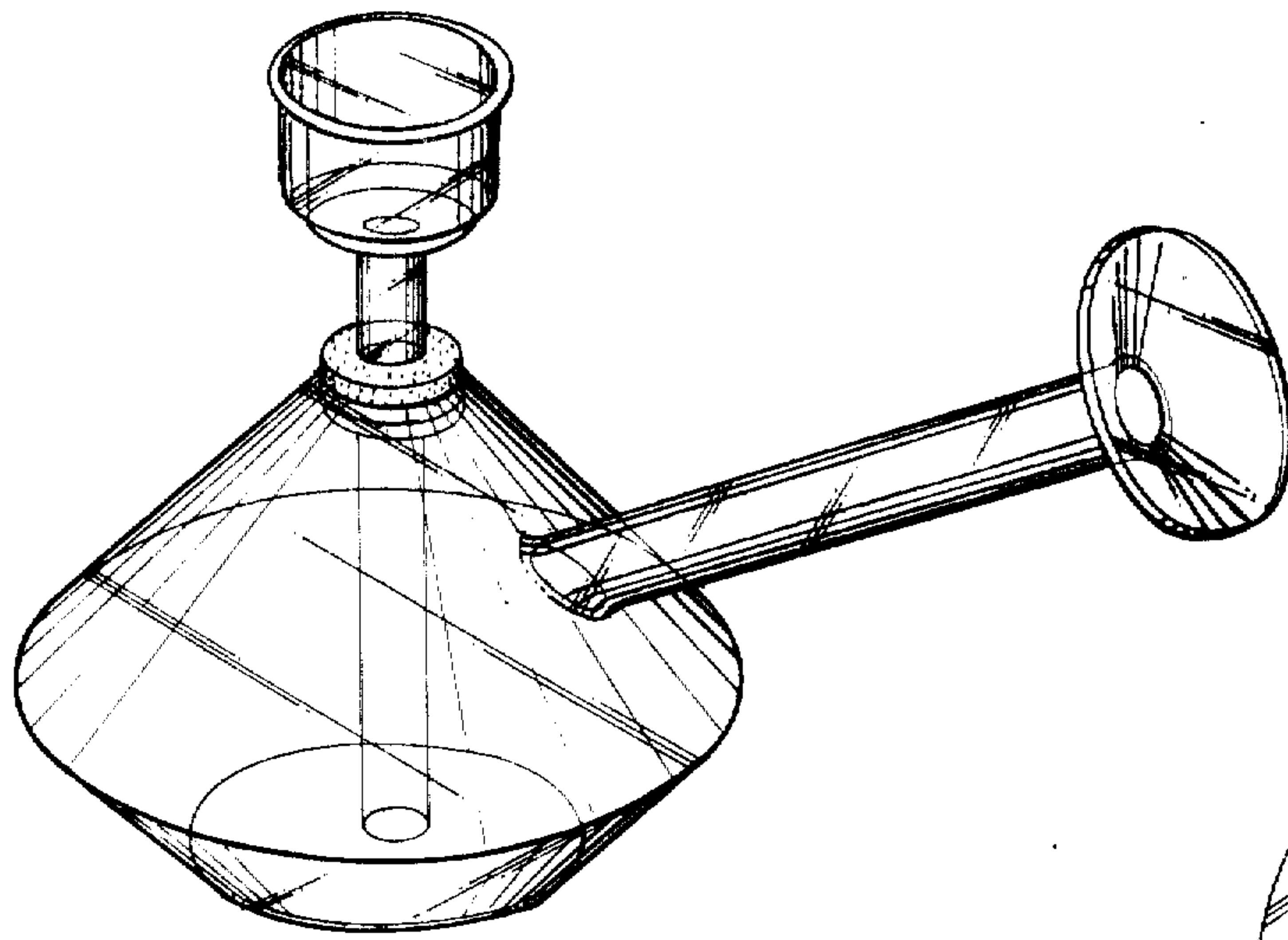


FIG. 1.

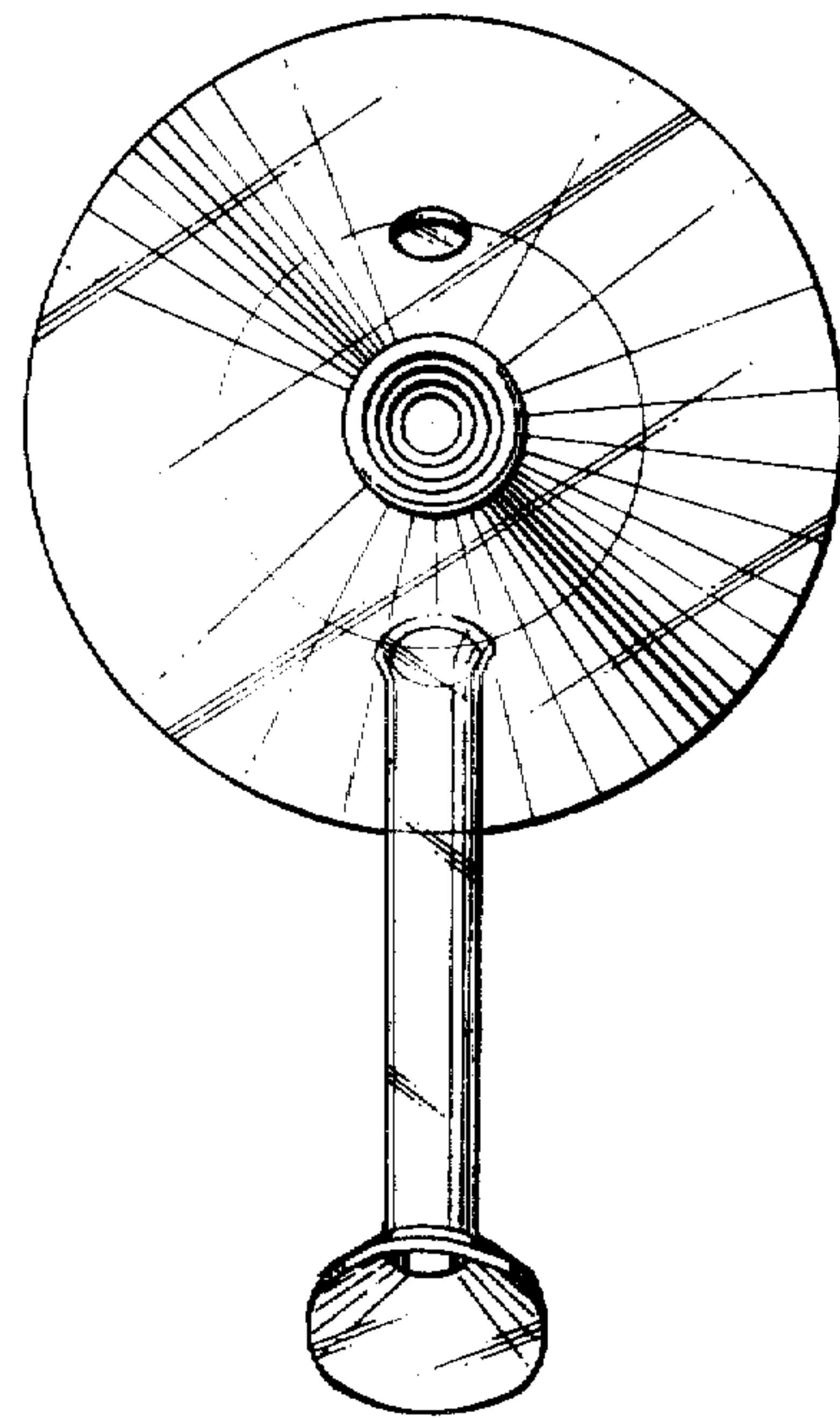


FIG. 2.

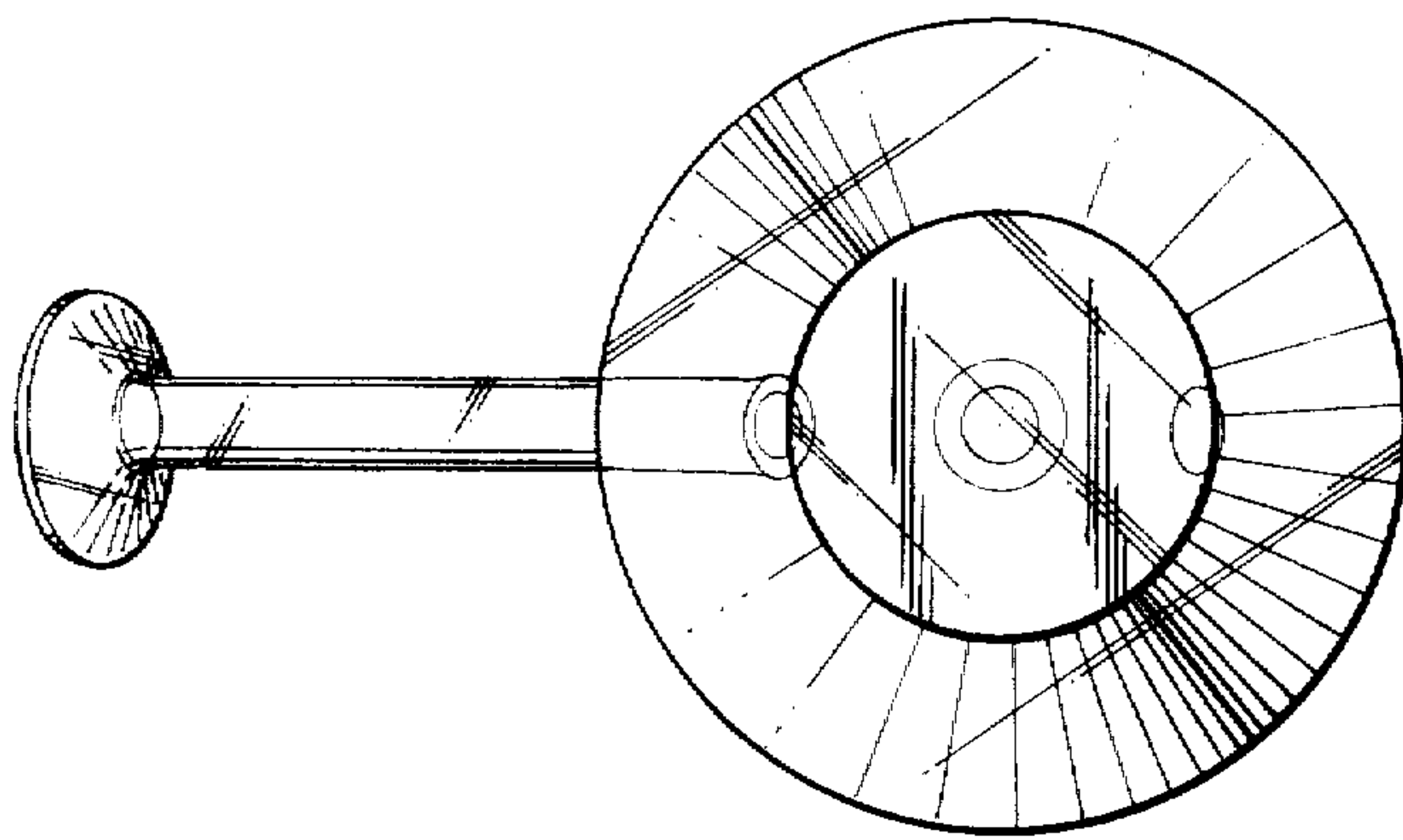


FIG. 5.

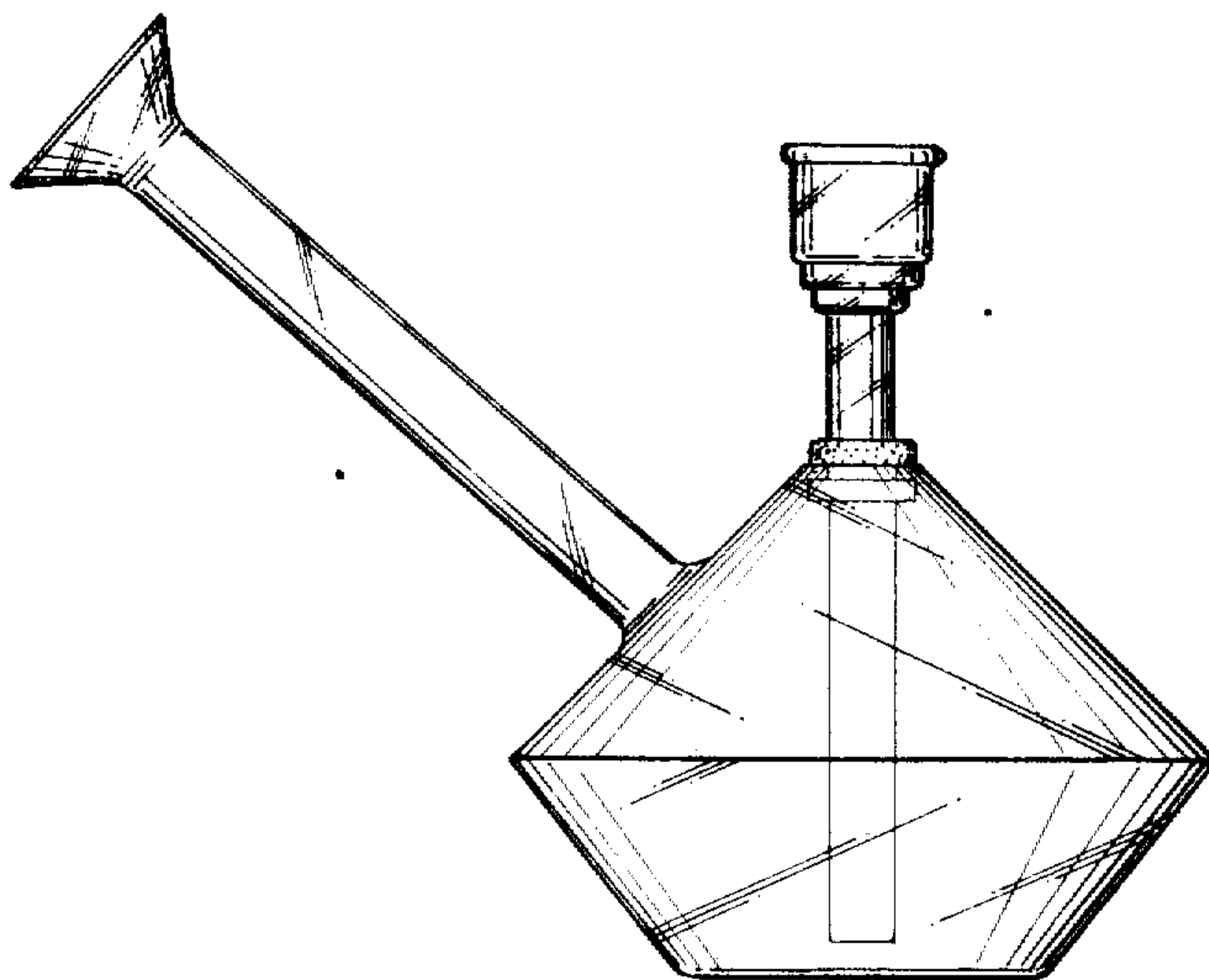


FIG. 3.

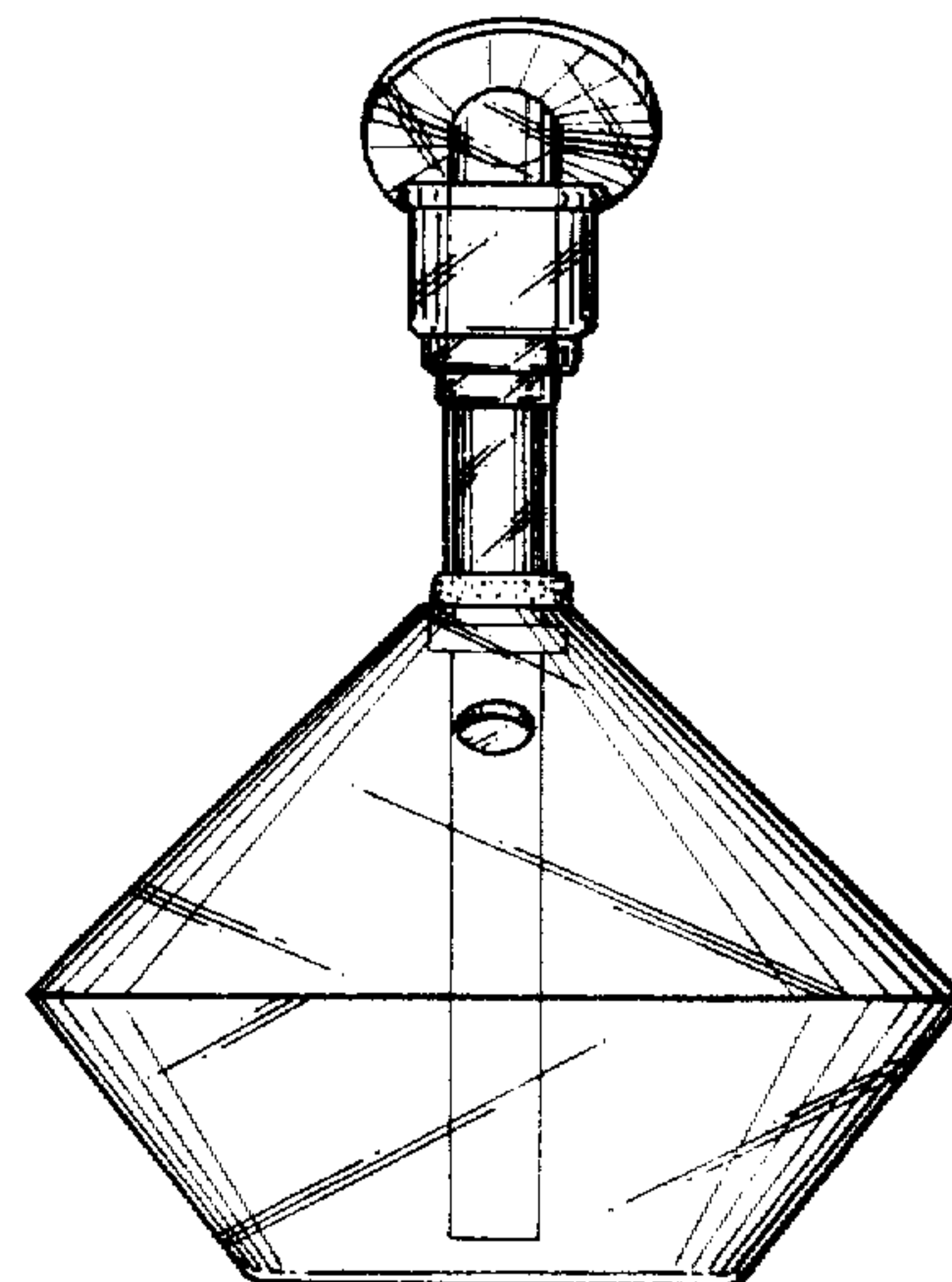


FIG. 4.