

[54] COLLAR FOR HOSE COUPLINGS AND THE LIKE

[75] Inventor: Jonathan D. Fain, Providence, R.I.

[73] Assignee: Teknor Apex Company, Pawtucket, R.I.

[\*\*] Term: 14 Years

[21] Appl. No.: 30,335

[22] Filed: Apr. 16, 1979

[51] Int. Cl. .... D23-01

[52] U.S. Cl. .... D23/44

[58] Field of Search ..... D23/40-47; 285/388, 376

[56] References Cited

U.S. PATENT DOCUMENTS

D. 54,781 3/1920 Sheffner ..... D23/43  
589,813 9/1897 Campbell ..... 285/38 X

655,380 8/1900 Stroh ..... 285/38  
670,229 3/1901 Hammer ..... 285/38 X  
1,225,616 5/1917 Gough ..... 285/38 X  
1,666,802 4/1928 Von Allmen ..... 285/38 X  
1,806,278 5/1931 Boker ..... 285/376 X

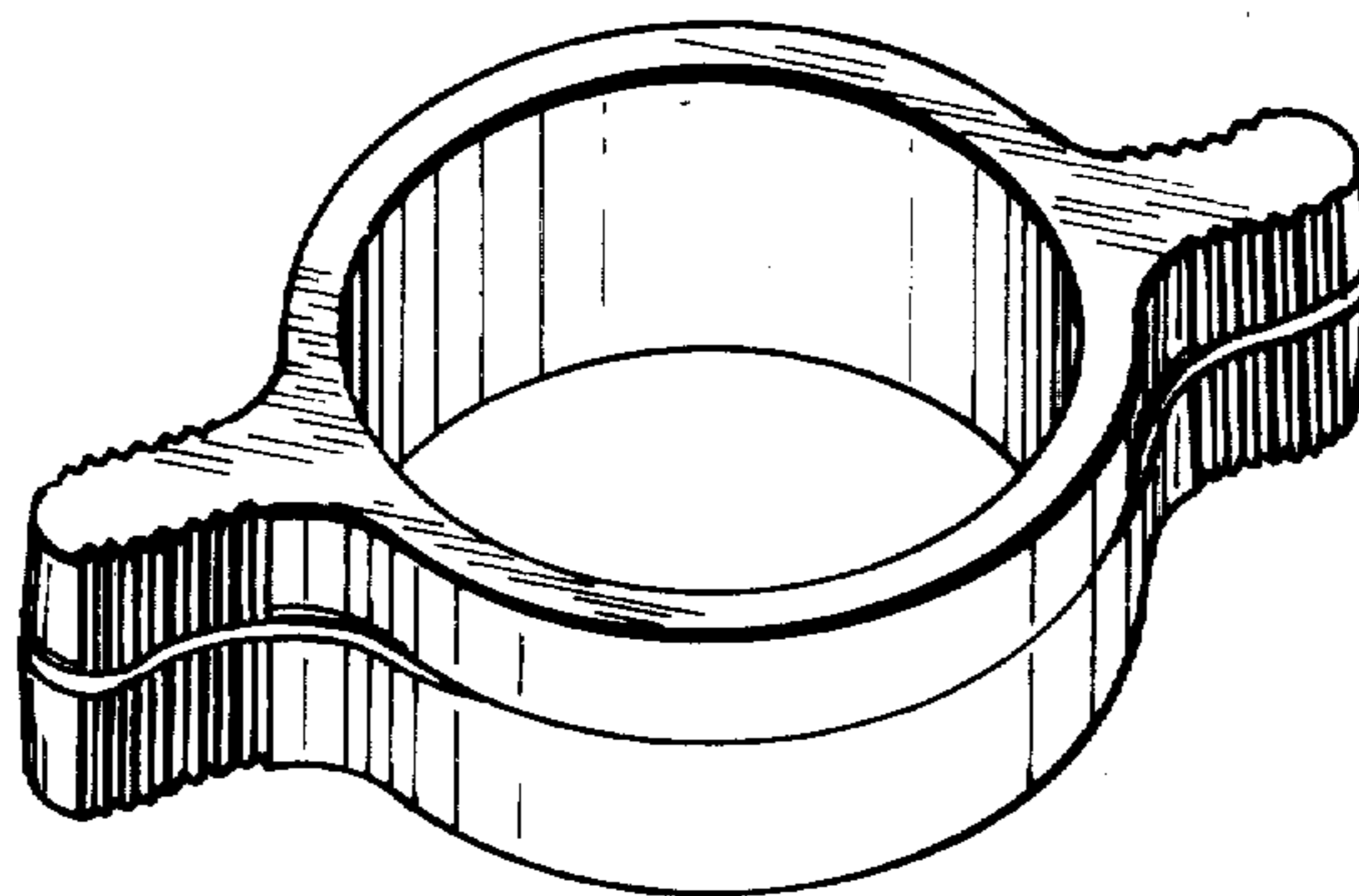
Primary Examiner—James R. Largen  
Attorney, Agent, or Firm—Salter & Michaelson

[57] CLAIM

The novel design for a collar for hose couplings and the like, as shown.

DESCRIPTION

FIG. 1 is a perspective view taken from the top, one end and one side of a collar for hose couplings and the like showing my new design;  
FIG. 2 is an elevational view taken from the side opposite that shown in FIG. 1;  
FIG. 3 is a bottom plan view thereof; and  
FIG. 4 is an elevational view taken from the end opposite that shown in FIG. 1.



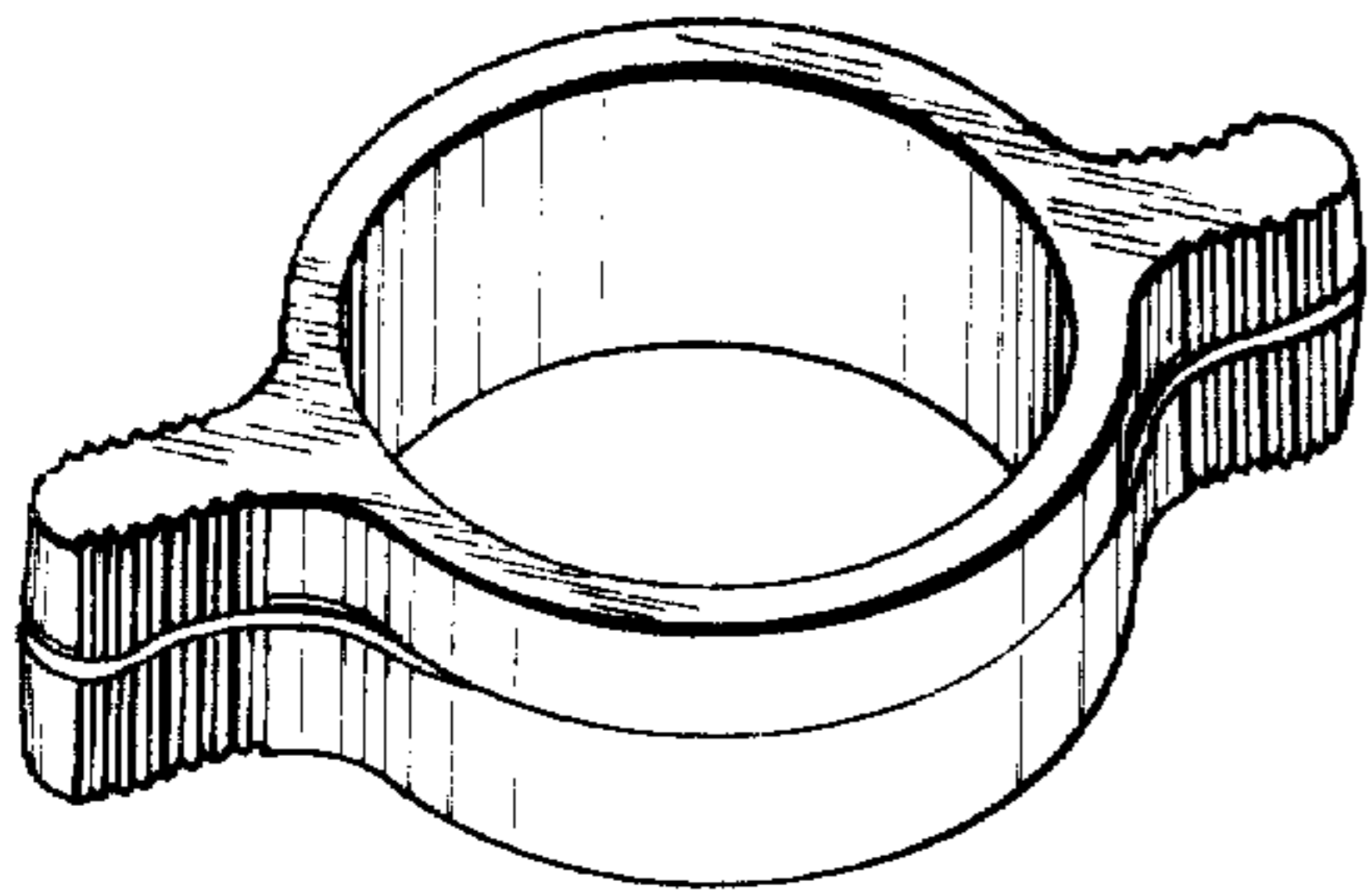


FIG. 1

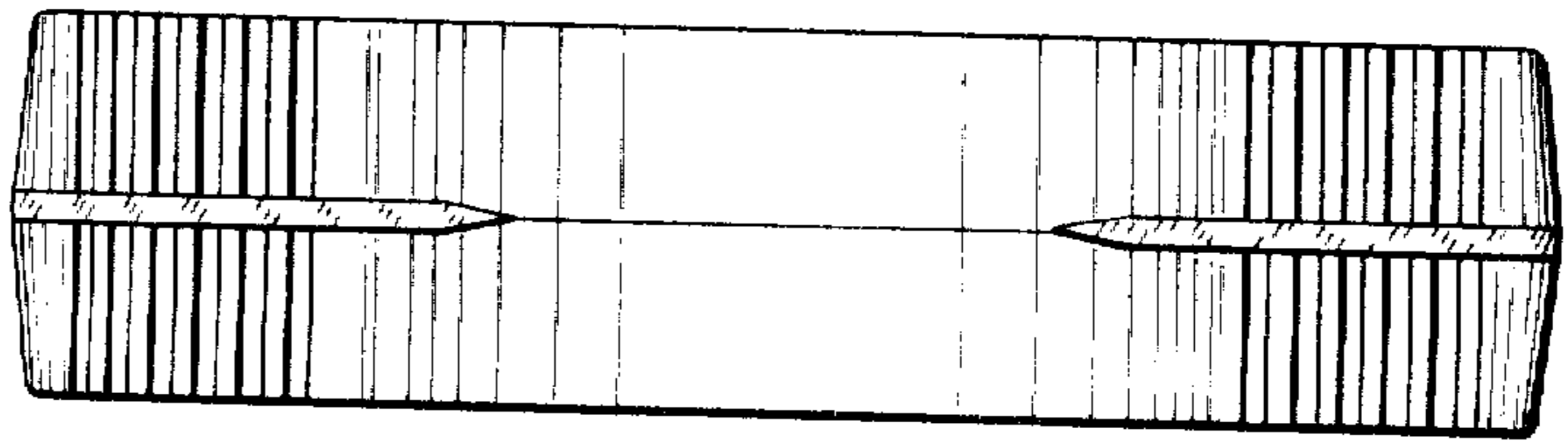


FIG. 2

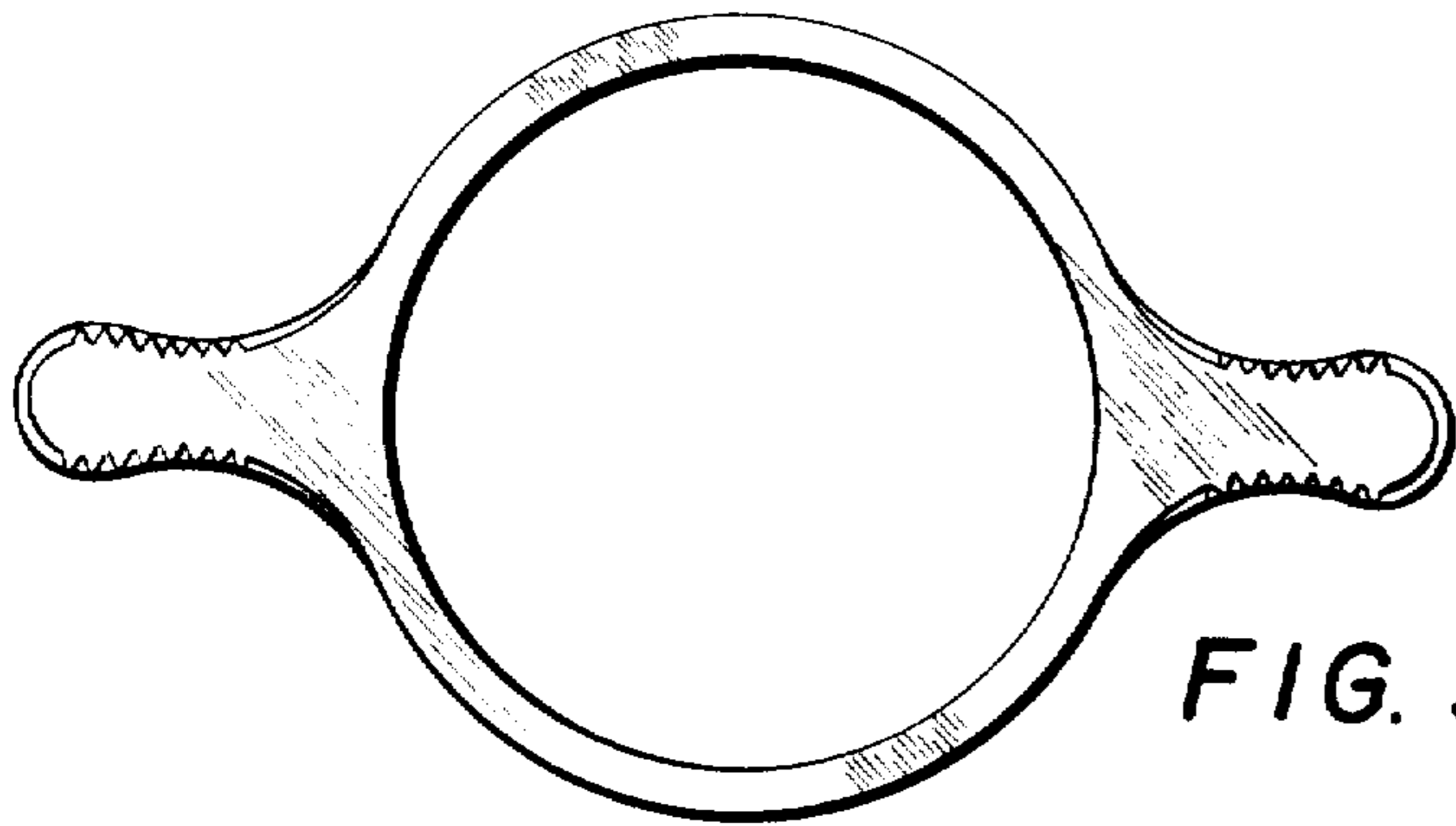


FIG. 3

FIG. 4

