

[54] ROLLER SKATE

[75] Inventor: Koichi Yoshimoto, Kobe, Japan

[73] Assignee: Hanshin Sogyo Co., Ltd., Osaka, Japan

[**] Term: 14 Years

[21] Appl. No.: 115,721

[22] Filed: Jan. 28, 1980

[30] Foreign Application Priority Data

Aug. 2, 1979 [JP] Japan 54-32535

[51] Int. Cl. D21-02

[52] U.S. Cl. D21/226

[58] Field of Search D21/224-228; 280/87.04 R, 87.04 A, 11.19, 11.2, 11.23, 11.1

[56] References Cited

U.S. PATENT DOCUMENTS

2,529,314 11/1950 Schmid D21/226

OTHER PUBLICATIONS

Sporting Goods Dealer, 8-1979, p. 149, roller skate at center of page.

Sporting Goods Dealer, 11-1978, p. 153, roller skate.

Primary Examiner—Charles A. Rademaker

Attorney, Agent, or Firm—Bernard, Rothwell & Brown

[57] CLAIM

The ornamental design for a roller skate, as shown and described.

DESCRIPTION

FIG. 1 is a side elevational view of a roller skate showing my new design;

FIG. 2 is a side elevational view of the side opposite that shown in FIG. 1;

FIG. 3 is a top plan view thereof;

FIG. 4 is a bottom plan view thereof;

FIG. 5 is a rear elevational view thereof; and

FIG. 6 is a front elevational view thereof.

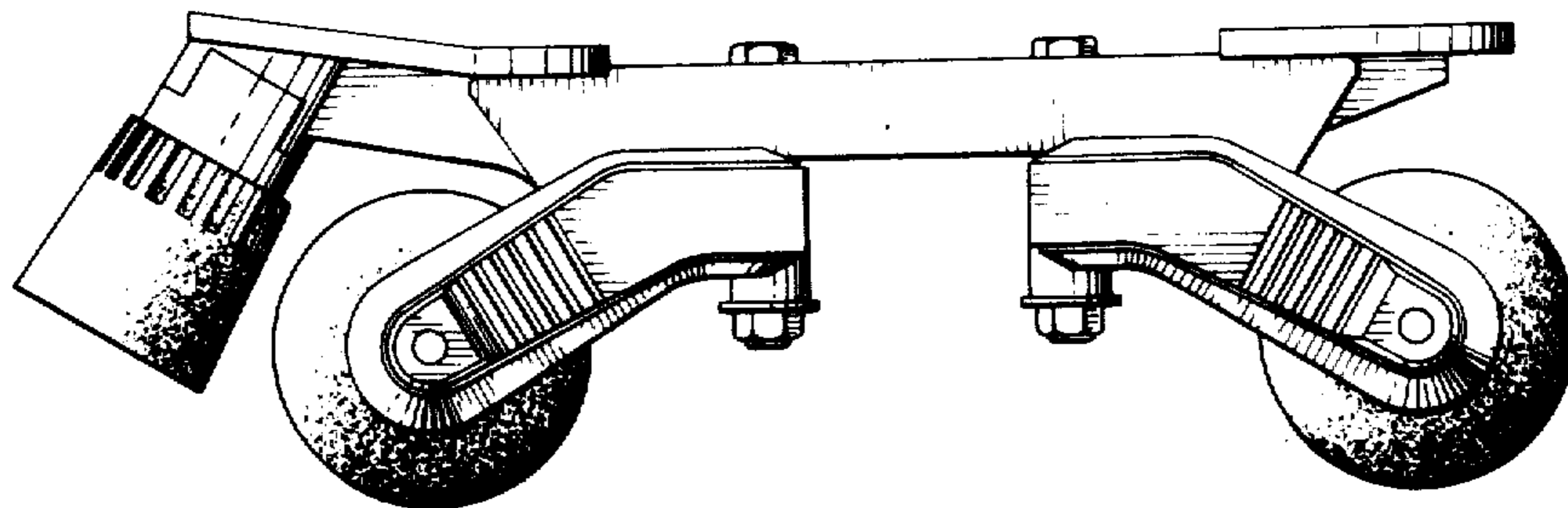


FIG. 1

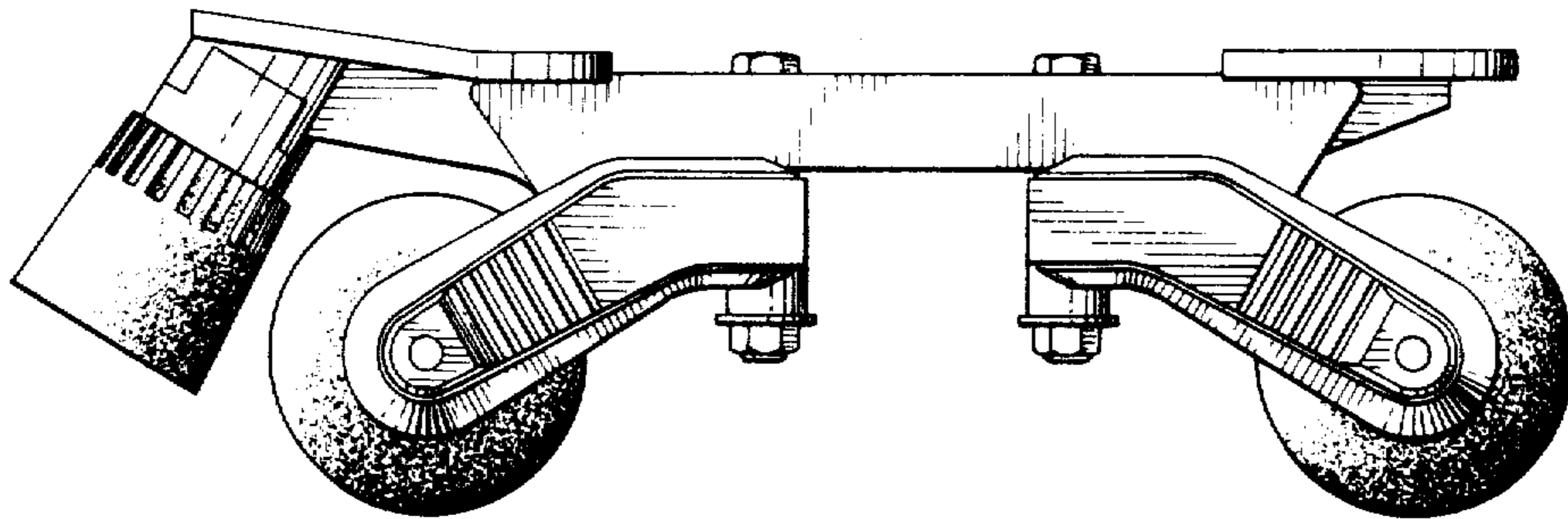


FIG. 2

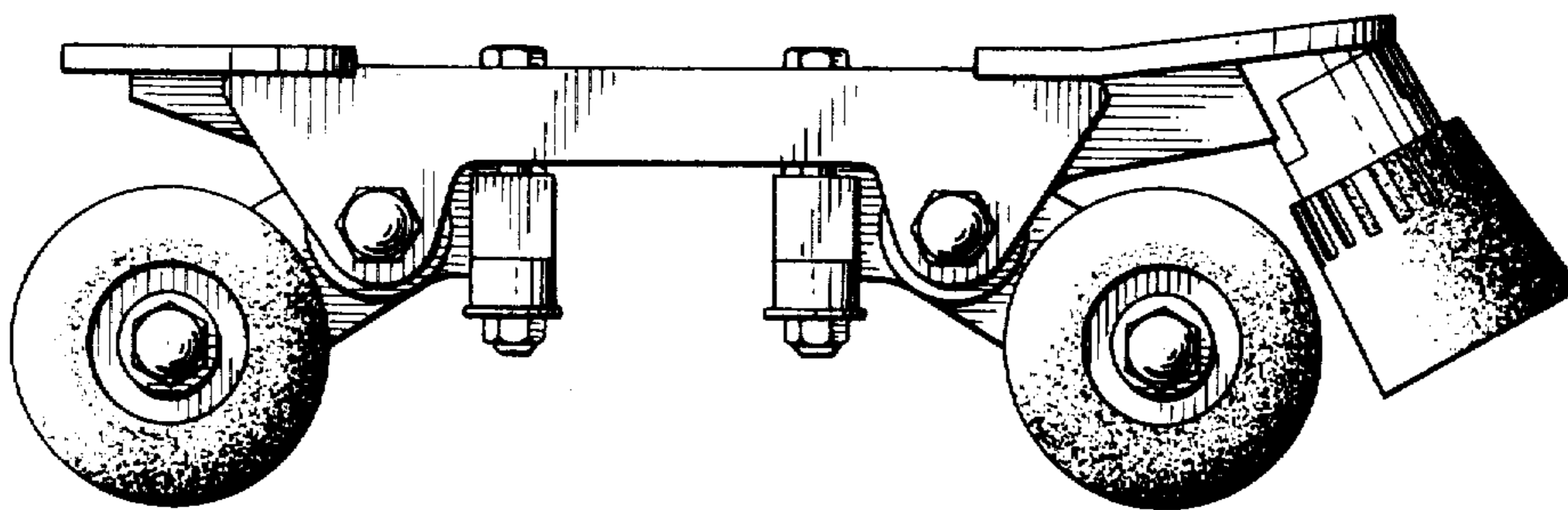


FIG. 3

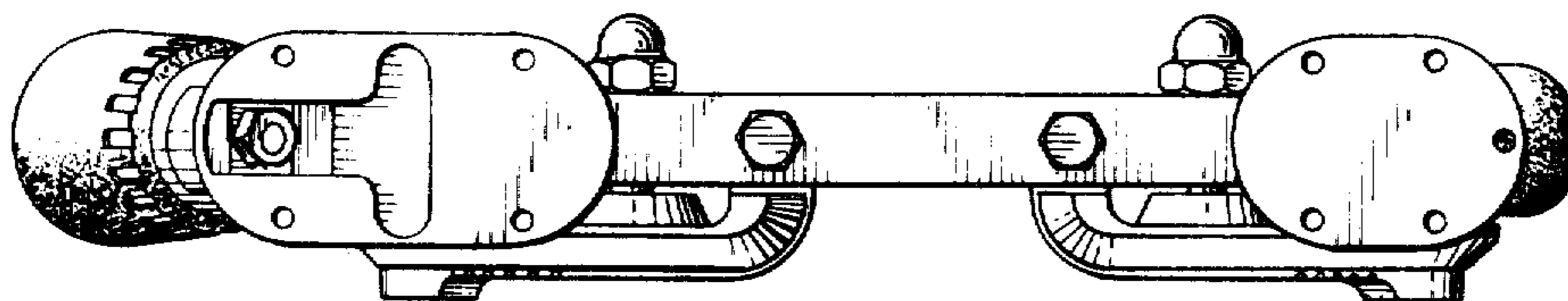


FIG. 4

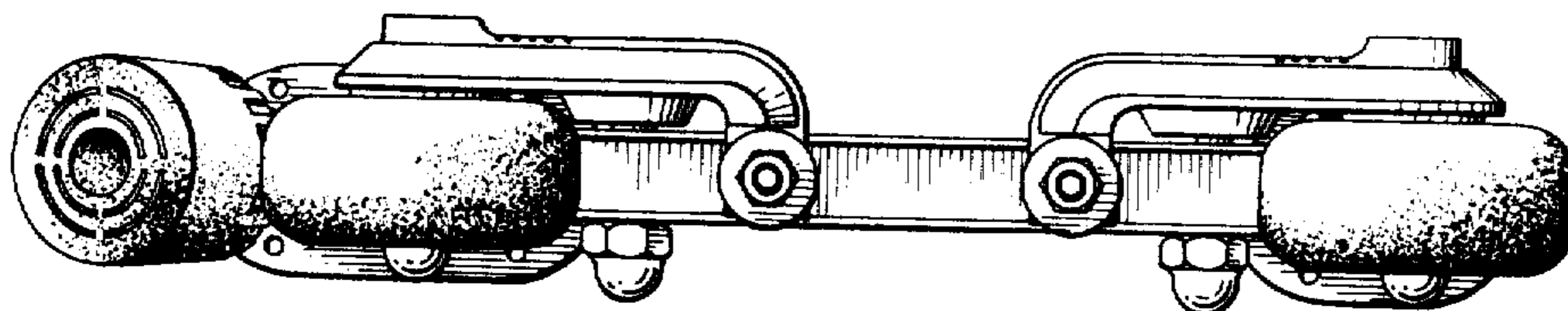


FIG. 5

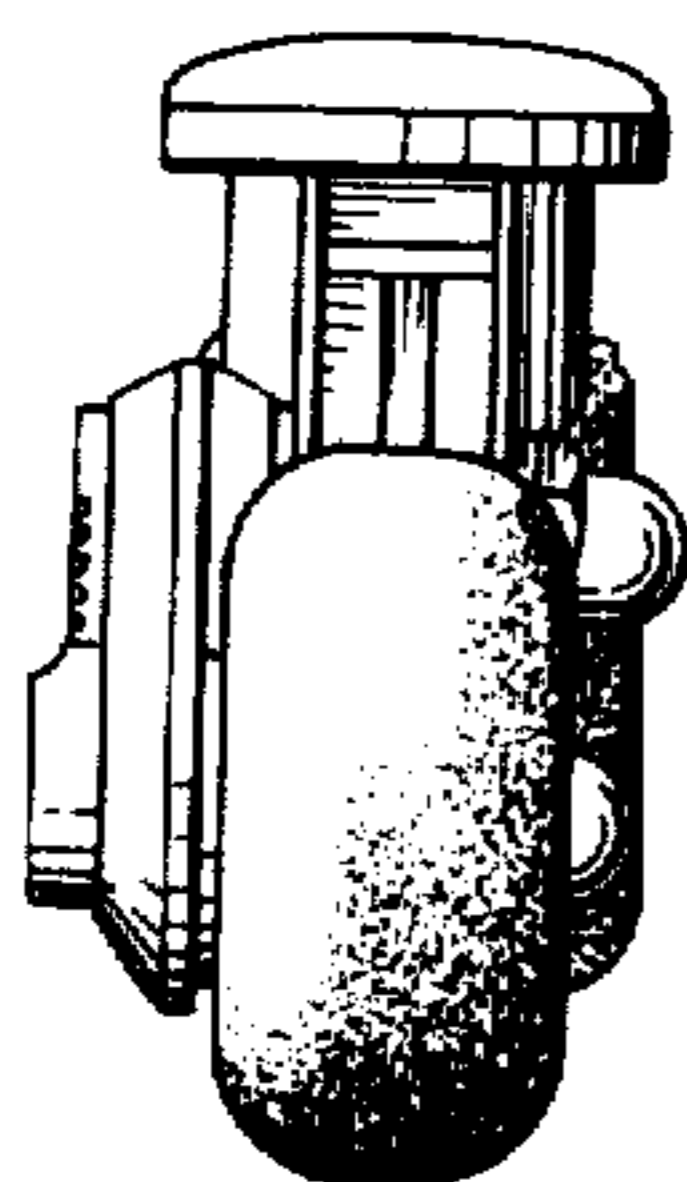


FIG. 6

