

[54] DOCUMENT COPIER

[75] Inventors: Hans J. Sinn, Fairfield; Denis C. Weil, Wilton, both of Conn.

[73] Assignee: Pitney Bowes Inc., Stamford, Conn.

[\*\*] Term: 14 Years

[21] Appl. No.: 47,616

[22] Filed: Jun. 11, 1979

[51] Int. Cl. .... D16-03

[52] U.S. Cl. .... D16/31

[58] Field of Search ..... D16/27-32;  
355/3 R, 3 DD, 3 P, 8, 9

[56] References Cited

U.S. PATENT DOCUMENTS

- D. 248,957 8/1978 Kitai et al. .... D16/31
- 4,192,608 3/1980 Goshima et al. .... 355/8

OTHER PUBLICATIONS

Office Products, Jan. 1977, p. 60, top center, Plain Paper Copier, 3M Co., (Circle 211).

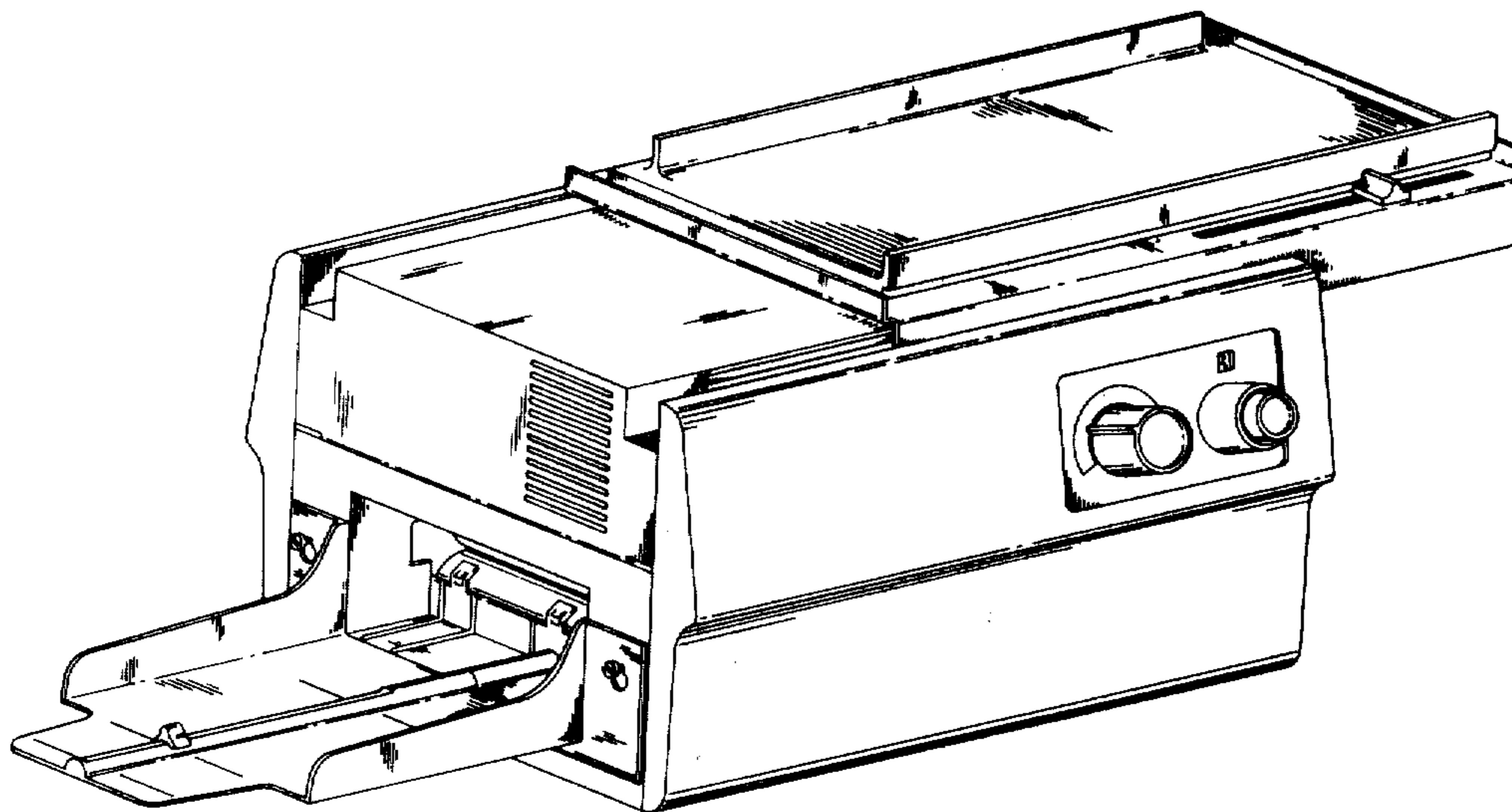
Primary Examiner—Peter M. Caun  
Attorney, Agent, or Firm—Robert E. Meyer; William D. Soltow, Jr.; Albert W. Scribner

[57] CLAIM

The ornamental design for a document copier, as shown.

DESCRIPTION

FIG. 1 is a perspective view of a document copier showing my new design;  
 FIG. 2 is a top plan view thereof;  
 FIG. 3 is a front elevational view thereof;  
 FIG. 4 is a rear elevational view thereof;  
 FIG. 5 is a left side elevational view thereof;  
 FIG. 6 is a right side elevational view thereof.



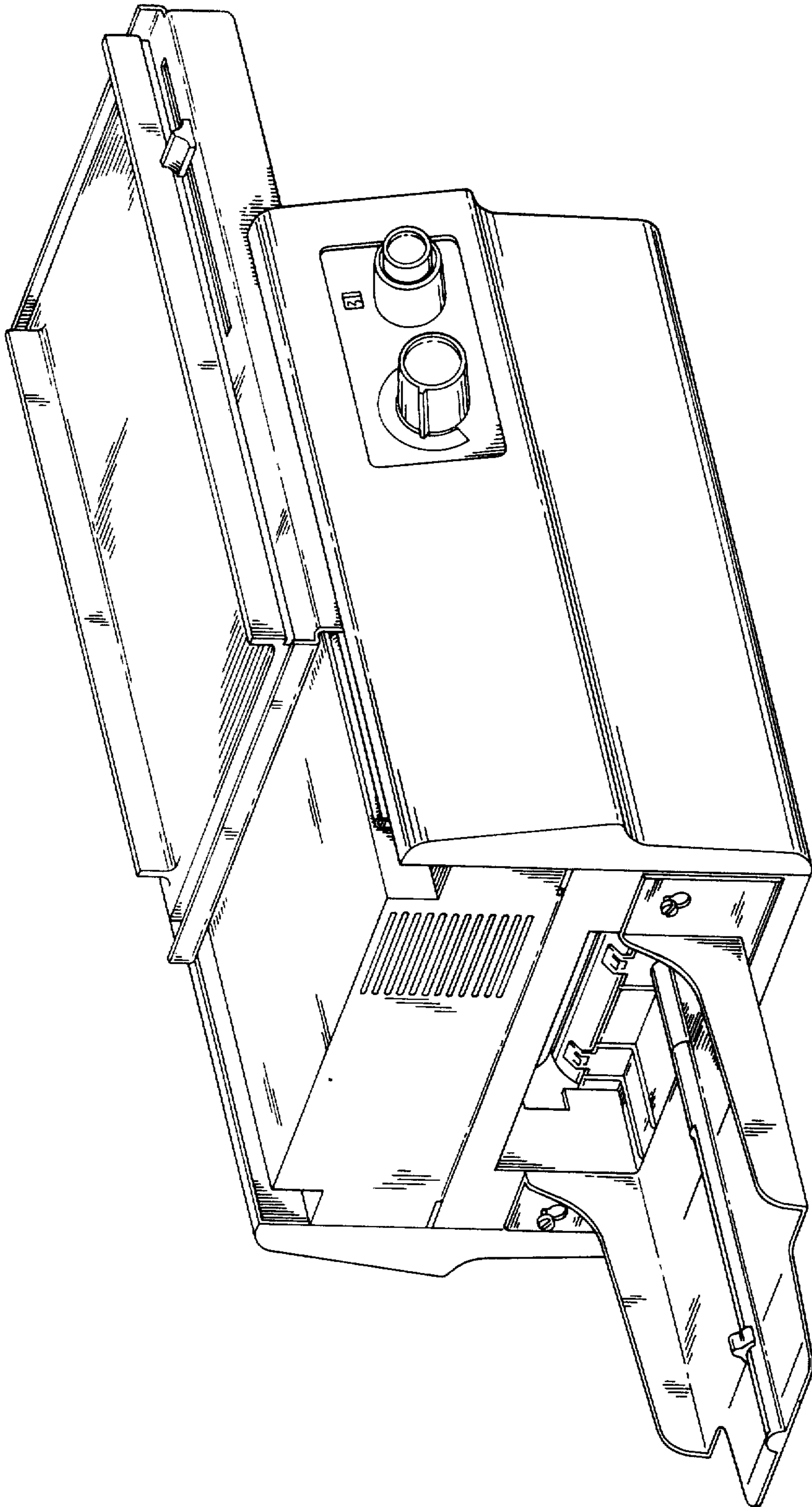


Fig. 1

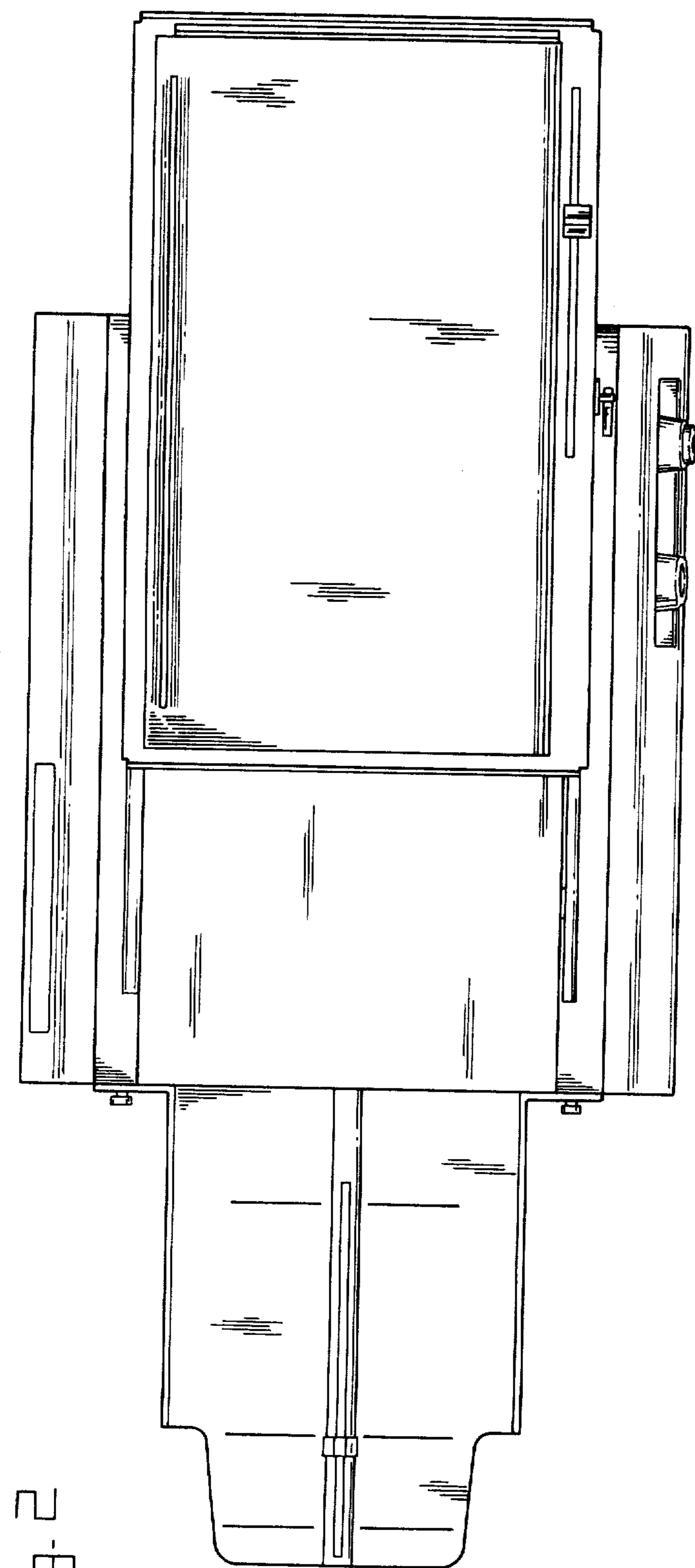


Fig. 2

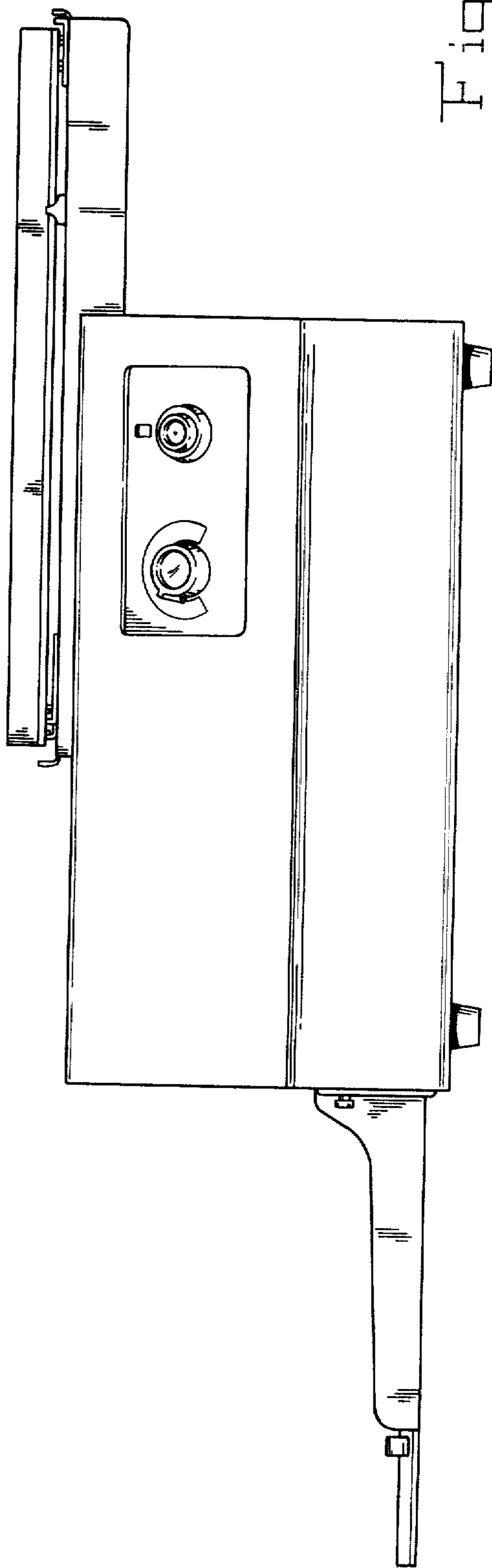


Fig. 3

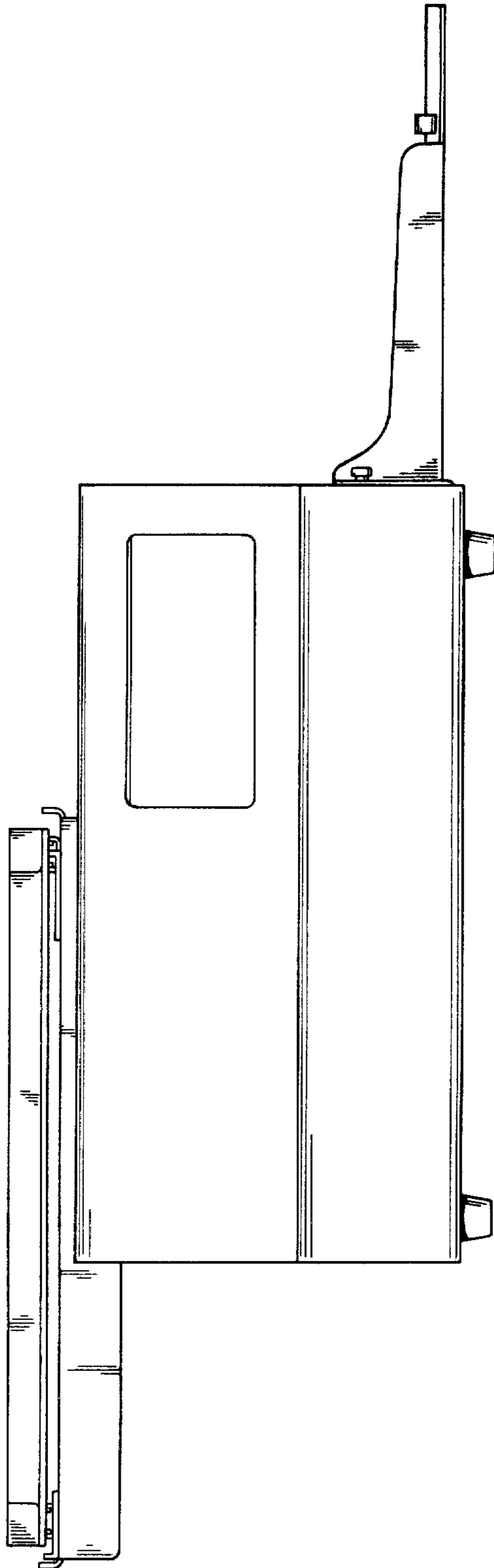


Fig. 4

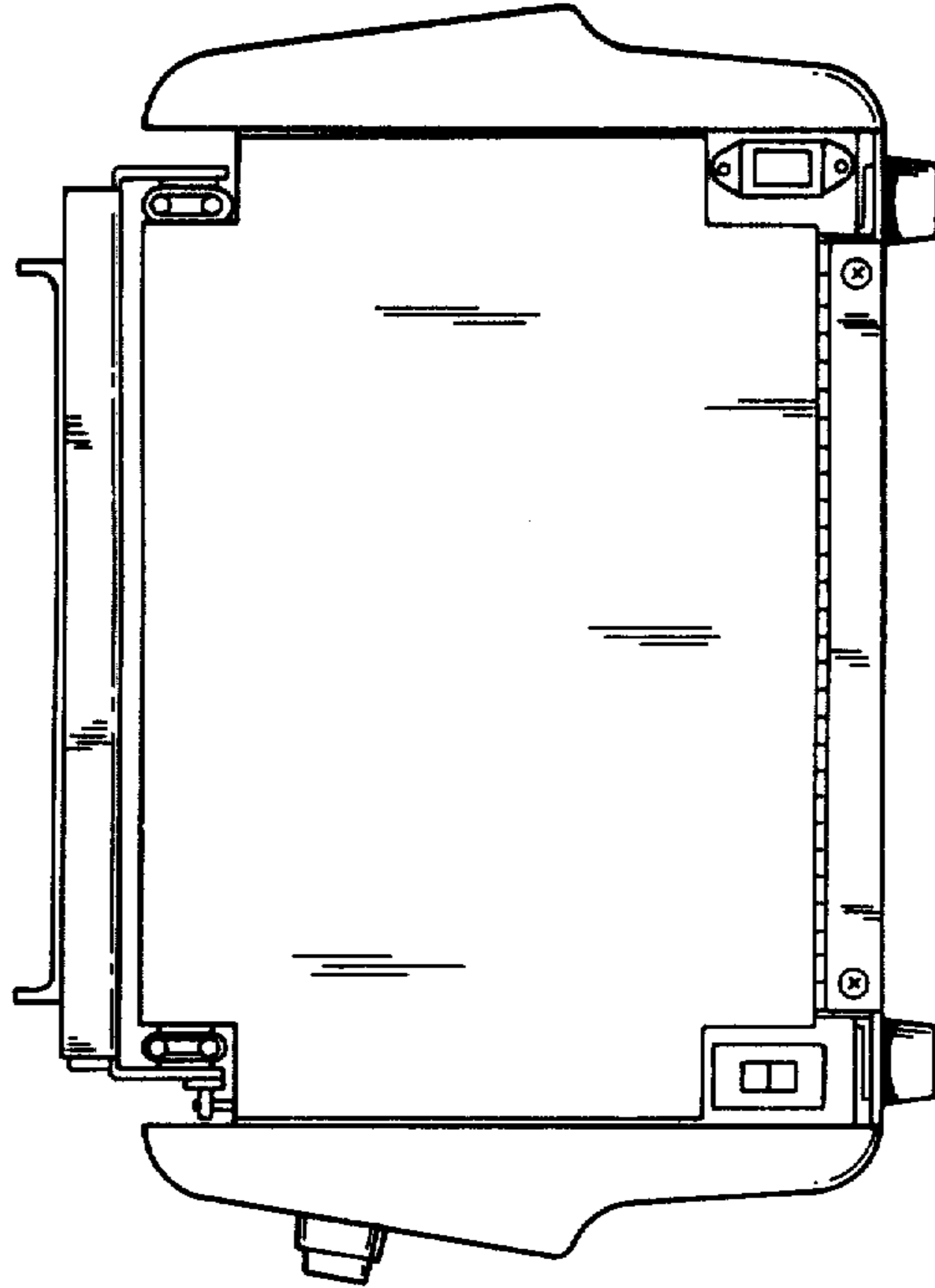


Fig. 6

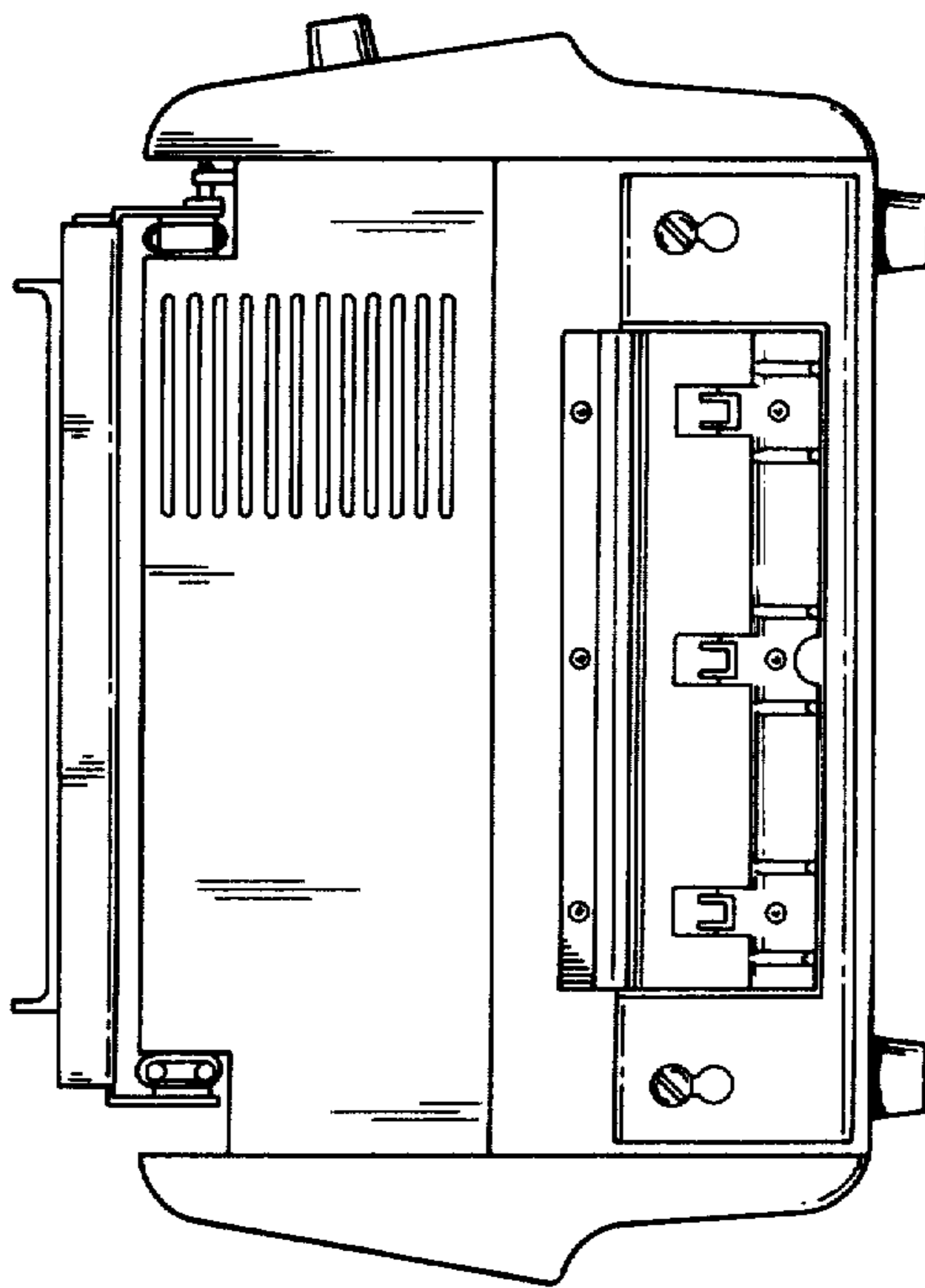


Fig. 5