

[54] **SURVEILLANCE CAMERA**

[75] Inventor: **Kiyohiko Sasaki, Tokyo, Japan**

[73] Assignee: **Yashica Co., Ltd., Tokyo, Japan**

[**] Term: **14 Years**

[21] Appl. No.: **64,706**

[22] Filed: **Aug. 8, 1979**

[30] **Foreign Application Priority Data**

Mar. 9, 1979 [JP] Japan 54-8980

[51] Int. Cl. **D16-01**

[52] U.S. Cl. **D16/2; 358/108**

[58] Field of Search **D16/1-10;**
354/81, 82, 288; 358/108, 125, 139

[56] **References Cited**

U.S. PATENT DOCUMENTS

3,568,583 3/1971 Horberg, Jr. 358/108
3,613,538 10/1971 Horberg, Jr. 354/81
3,819,856 6/1974 Pearl et al. 358/108

Primary Examiner—Peter M. Caun
Attorney, Agent, or Firm—Sughrue, Mion, Zinn,
Macpeak and Seas

[57] **CLAIM**

The ornamental design for a surveillance camera, as shown.

DESCRIPTION

FIG. 1 is a front, top and right side perspective view of a surveillance camera showing my new design; FIG. 2 is a front elevational view thereof; FIG. 3 is a rear elevational view thereof; FIG. 4 is a top plan view thereof; FIG. 5 is a bottom plan view thereof; FIG. 6 is a right side elevational view thereof; and FIG. 7 is a left side perspective view thereof.

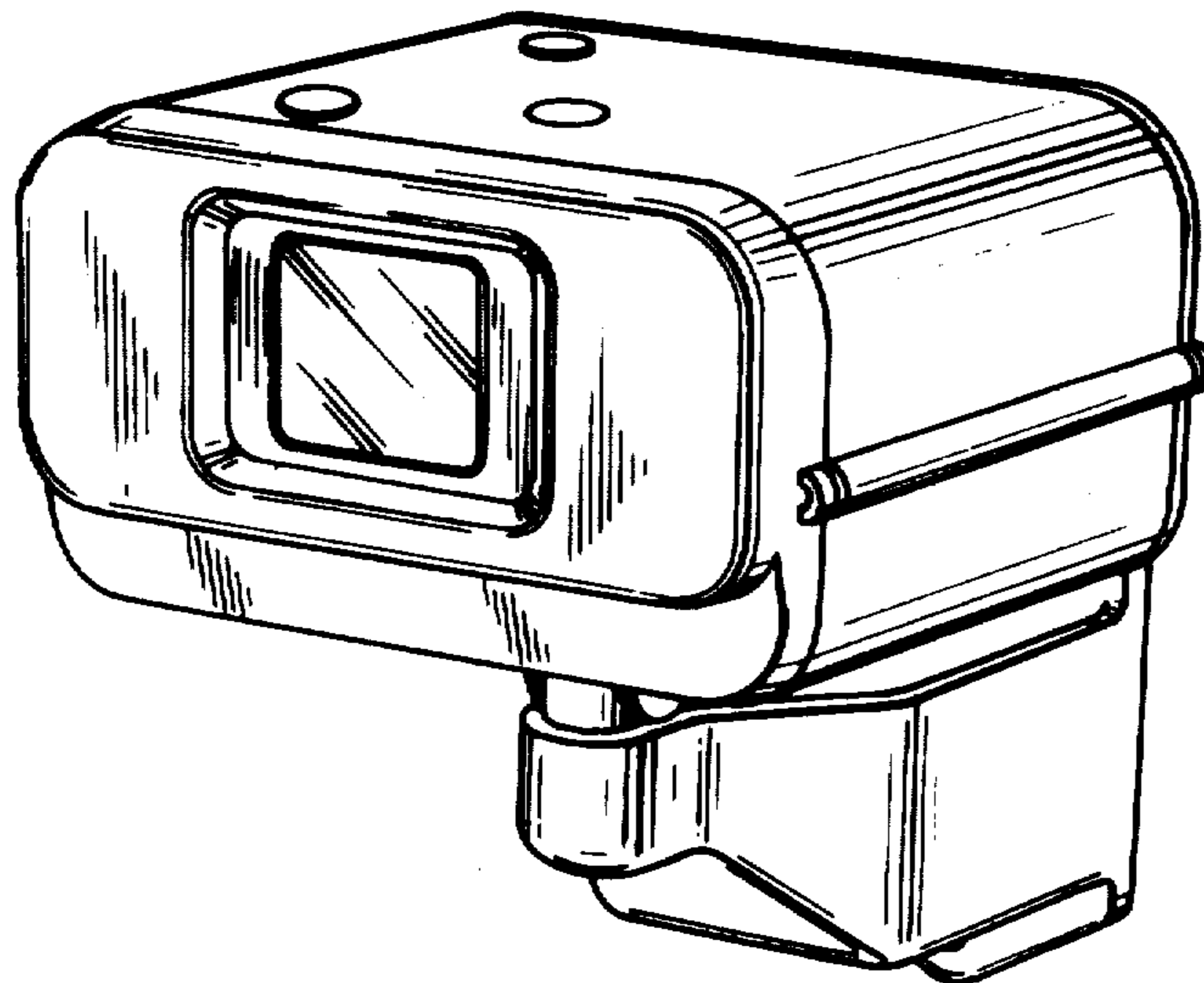


FIG. 1

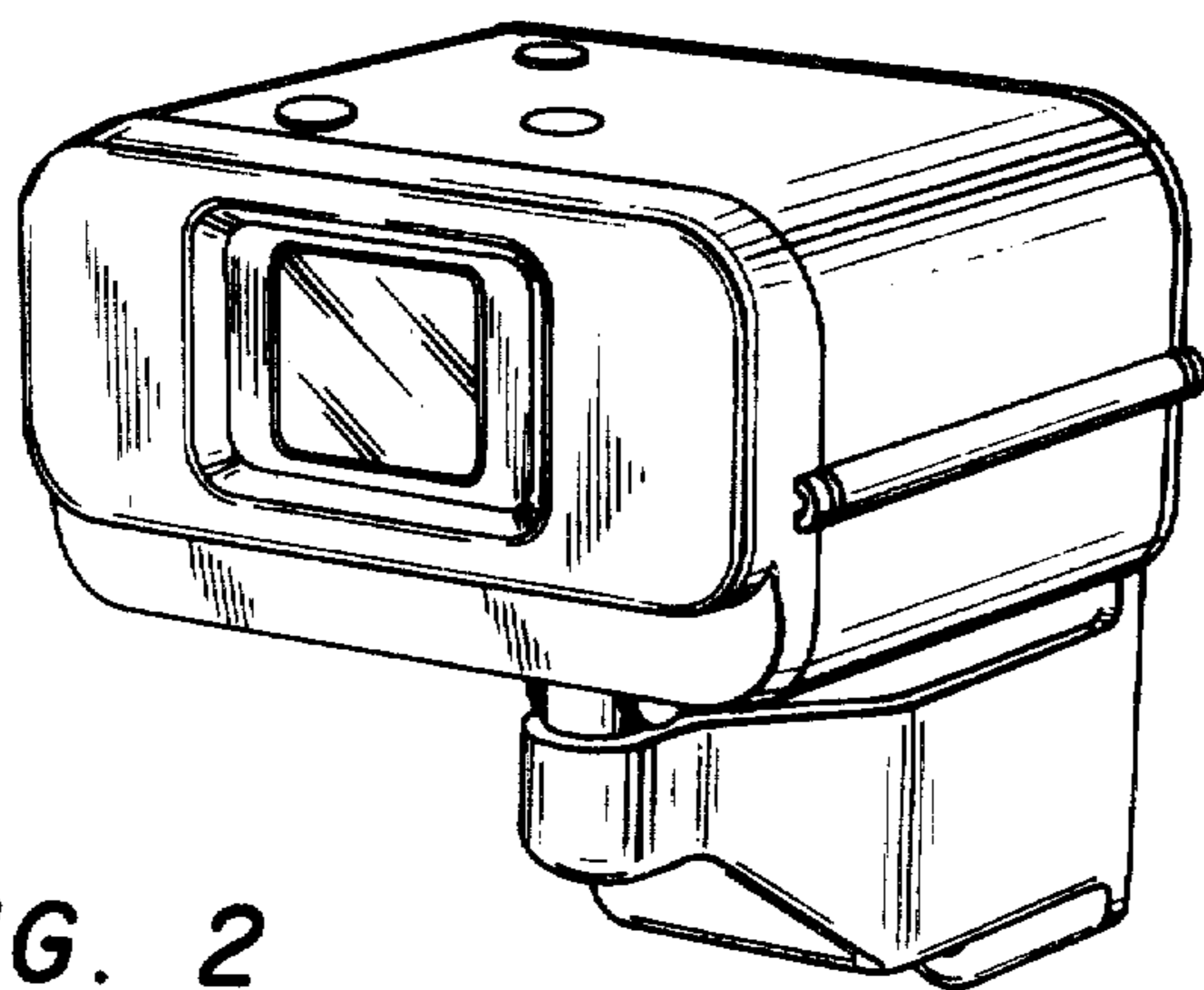


FIG. 2

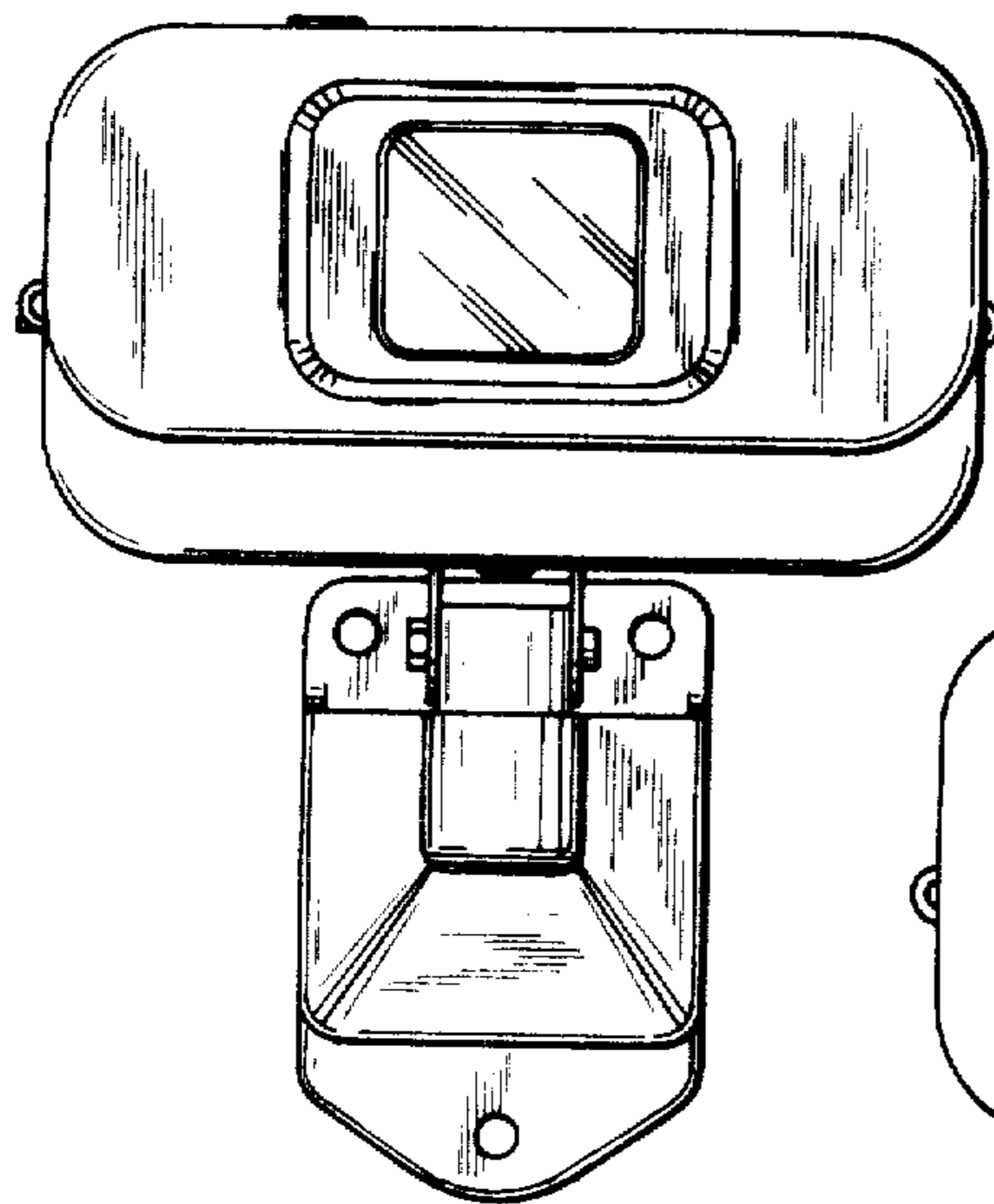


FIG. 3

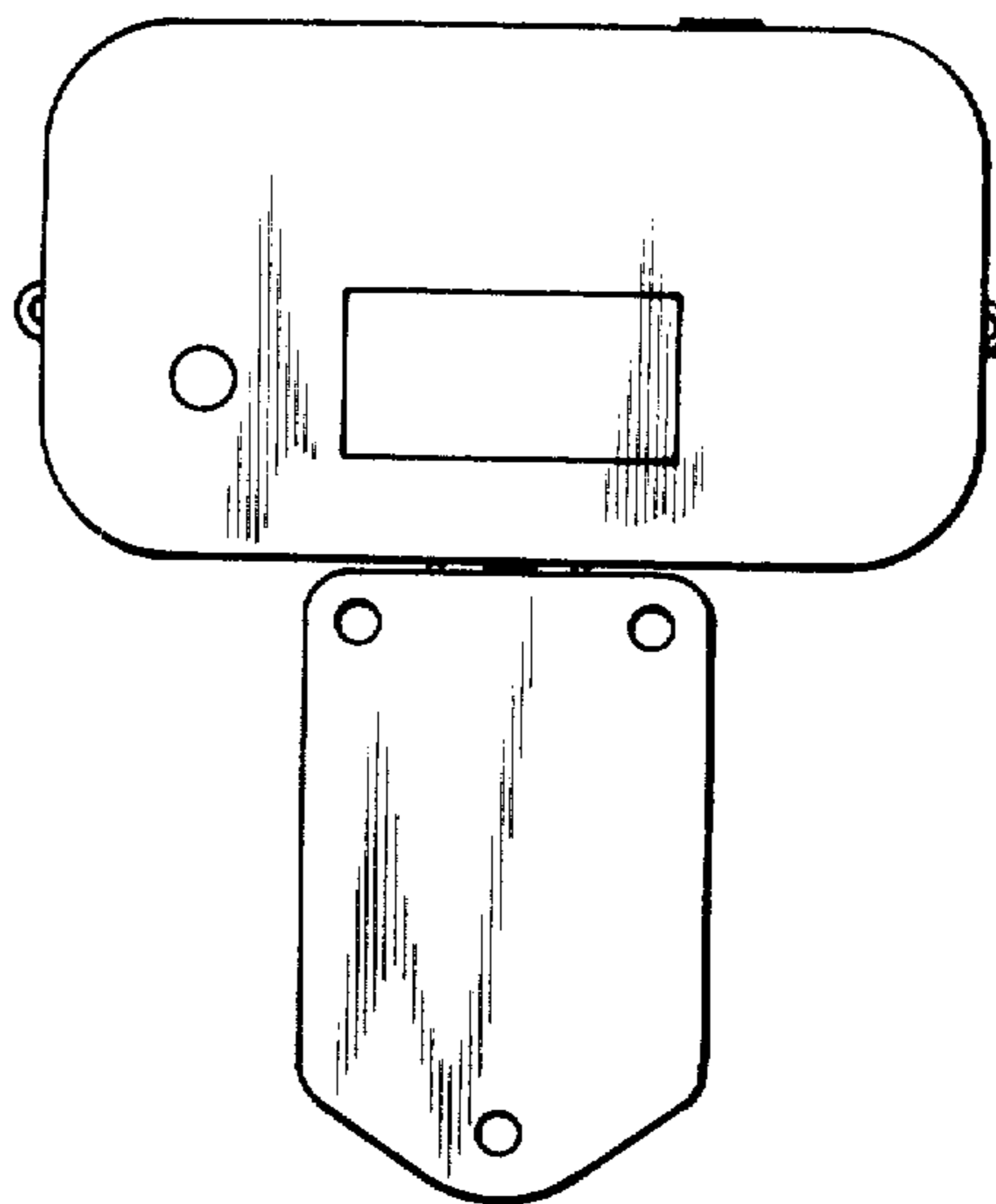


FIG. 4

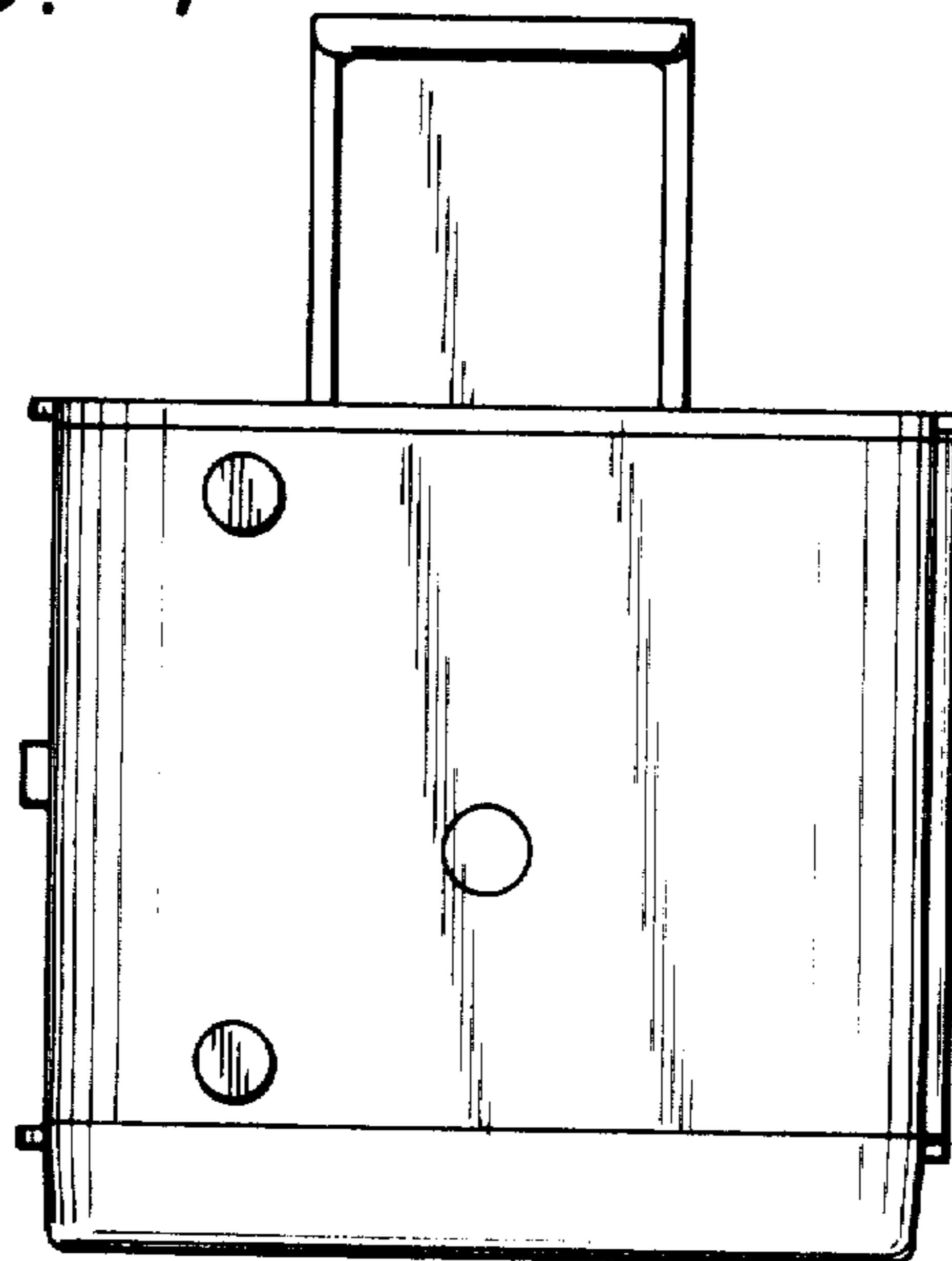


FIG. 5

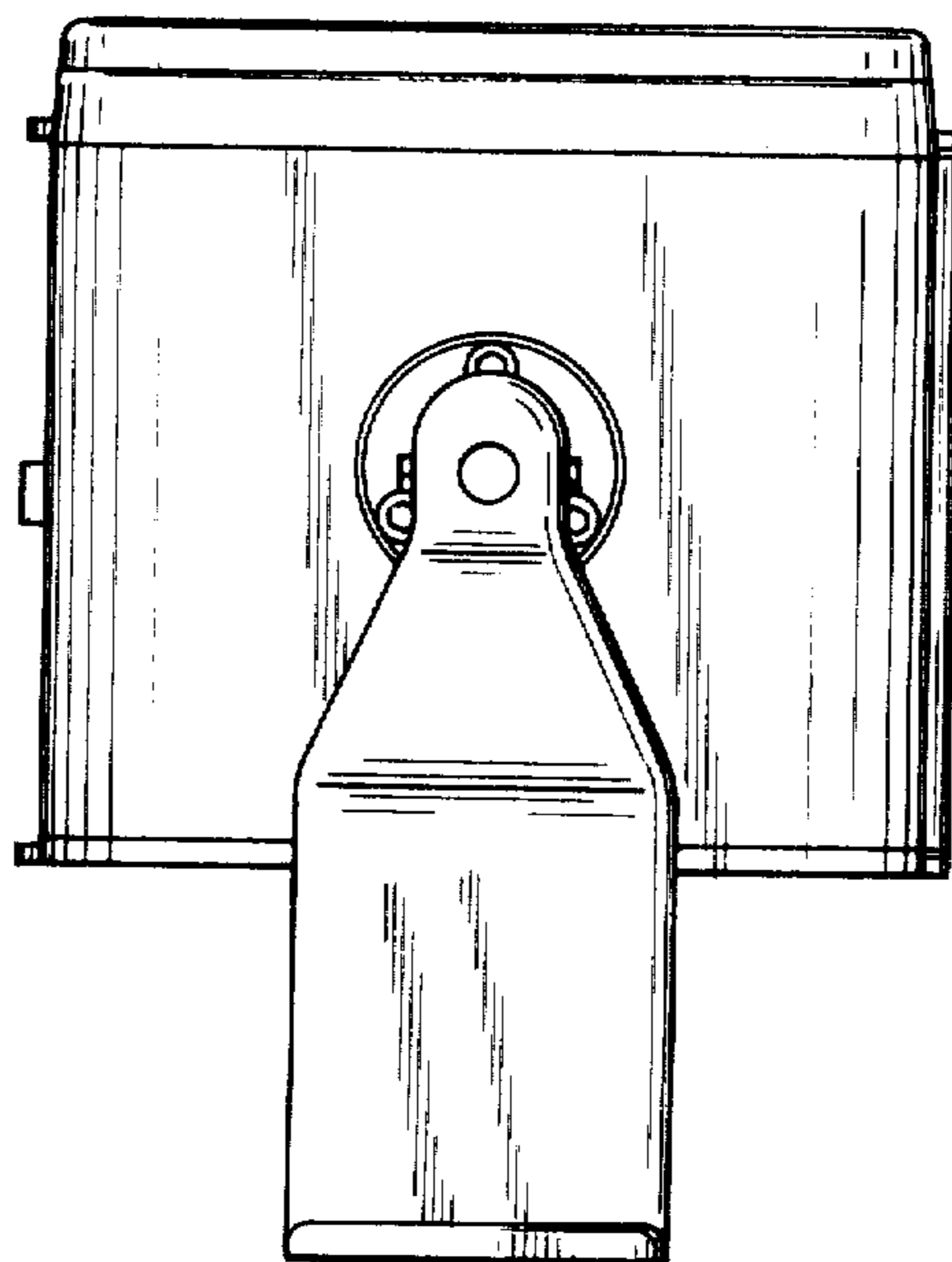


FIG. 6

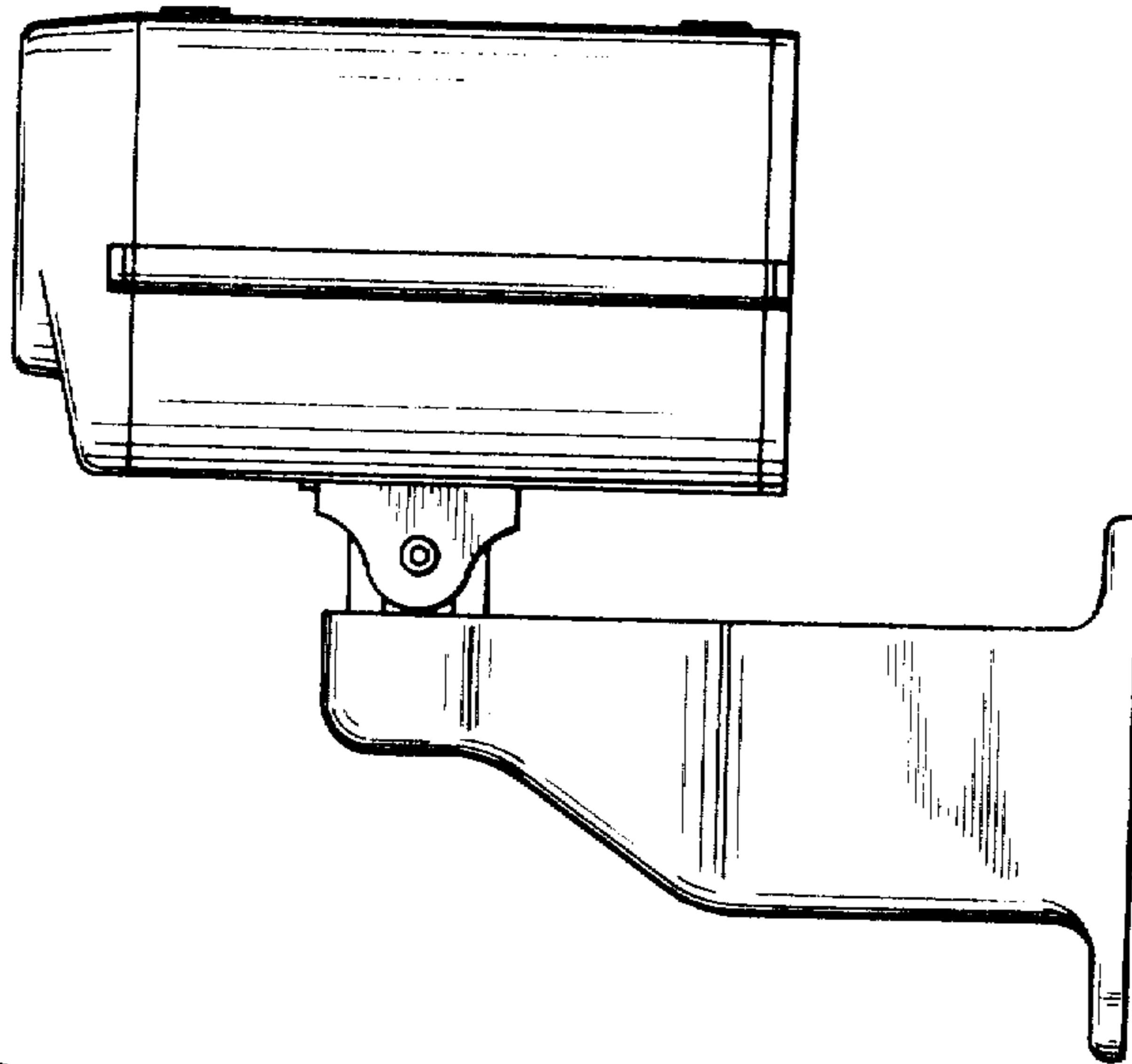


FIG. 7

