

[54] TRIPLE GASOLINE PUMP

[75] Inventors: David C. Rowan; Armin E. Mittermaier, both of Fort Wayne, Ind.

[73] Assignee: Tokheim Corporation, Fort Wayne, Ind.

[**] Term: 14 Years

[21] Appl. No.: 43,436

[22] Filed: May 29, 1979

[51] Int. Cl. D15-02

[52] U.S. Cl. D15/9.2

[58] Field of Search D15/9.1, 9.2, 9.3; 222/25-28, 32-37, 75, 530

[56] References Cited

U.S. PATENT DOCUMENTS

D. 99,546	5/1936	Hudspeth	D15/9.3
D. 194,433	1/1963	Chaffee	D15/9.2
D. 234,823	11/1975	Gray	D15/9.2
D. 237,822	11/1975	Gray	D15/9.2
D. 244,563	5/1977	Taylor	D15/9.1
D. 247,134	1/1978	Geisler	D15/9.1
3,199,727	8/1965	Fromanowski	222/32 X
3,797,703	3/1974	Yamawaki	222/32 X

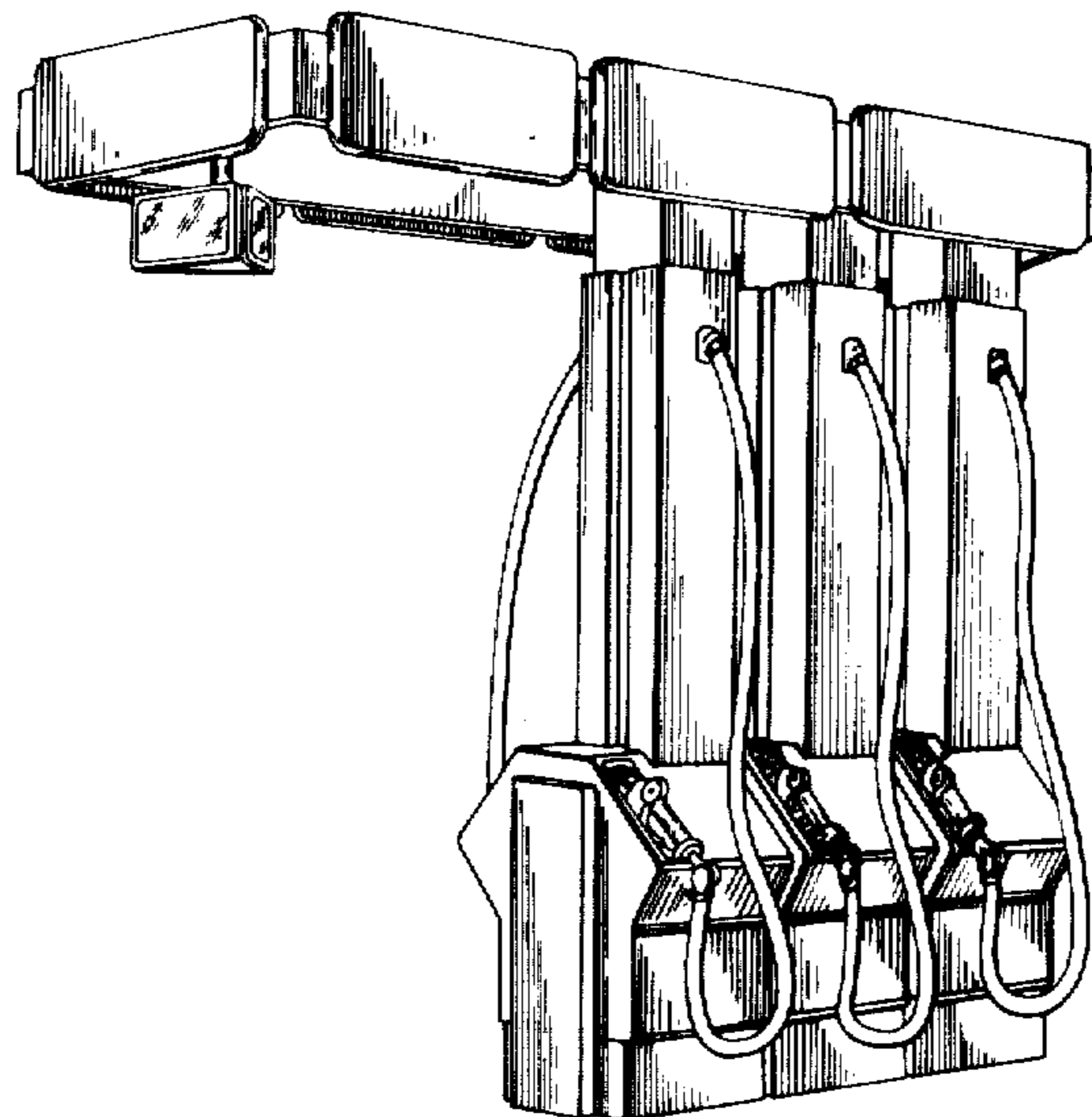
Primary Examiner—Nelson C. Holtje
Attorney, Agent, or Firm—Lundy and Associates

[57] CLAIM

The ornamental design for a triple gasoline pump, as shown and described.

DESCRIPTION

FIG. 1 is a left front perspective view of a triple gasoline pump showing our new design; FIG. 2 is a right rear perspective view thereof; FIG. 3 is a top plan view thereof.



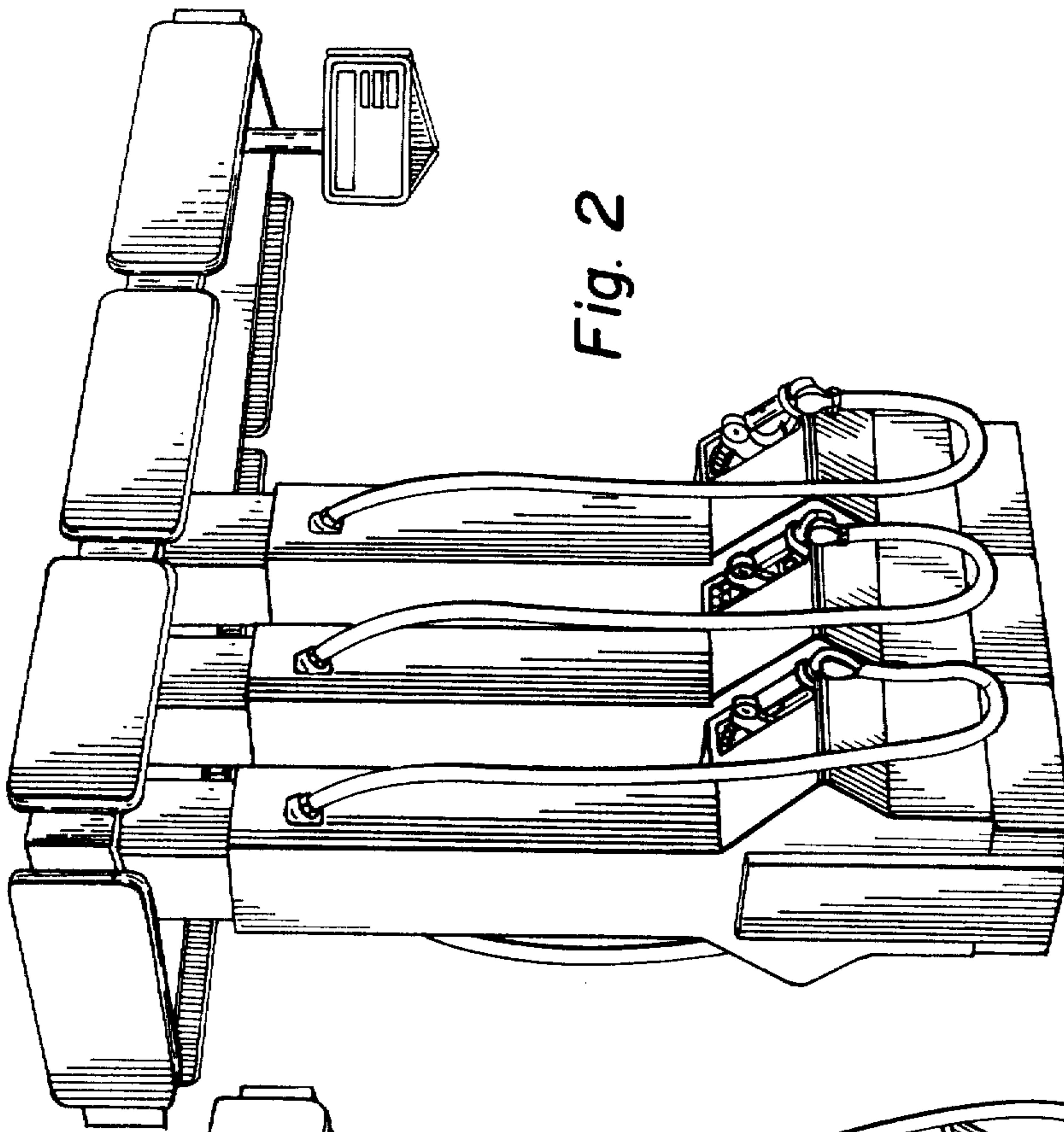


Fig. 2

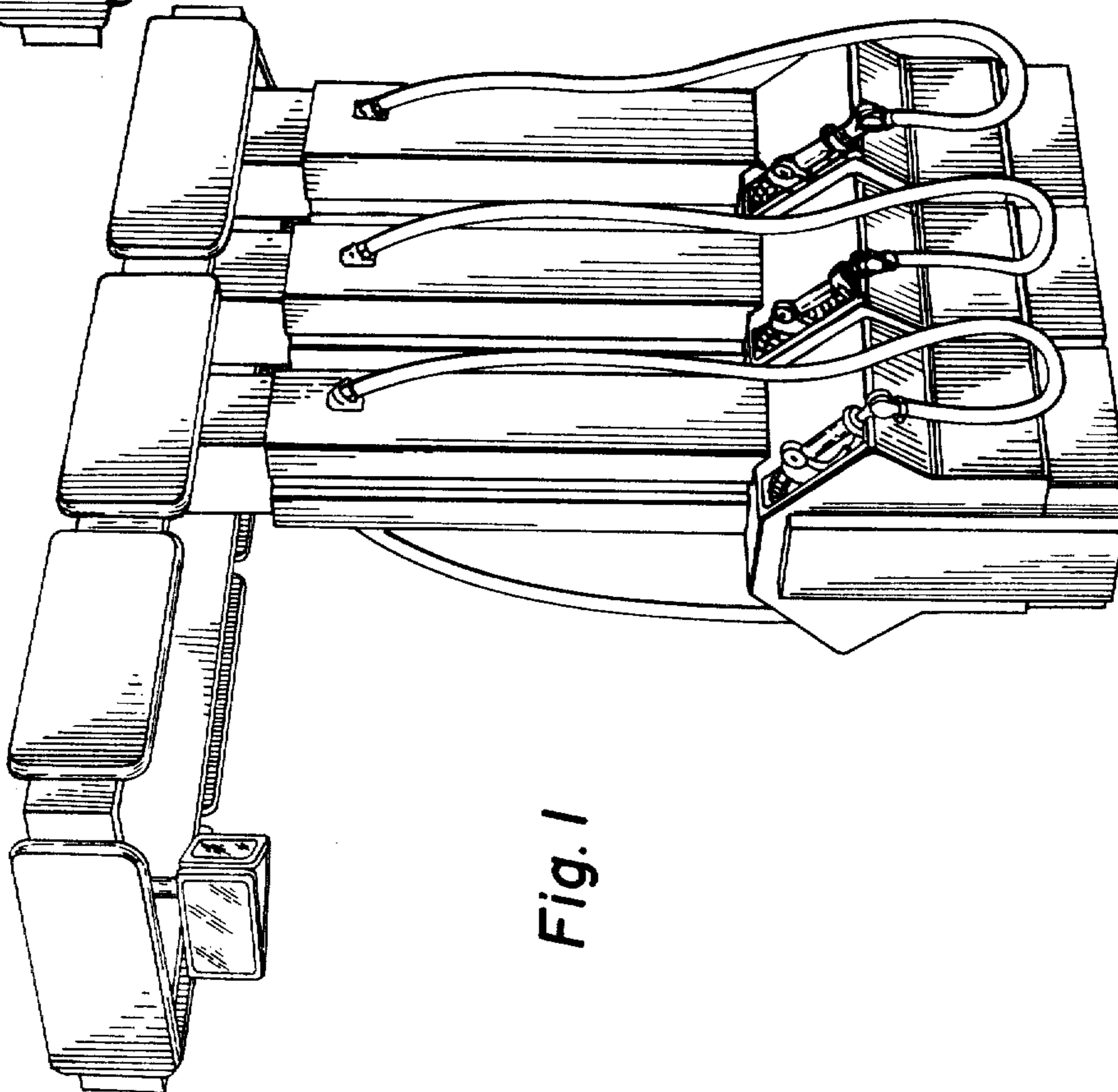


Fig. 1

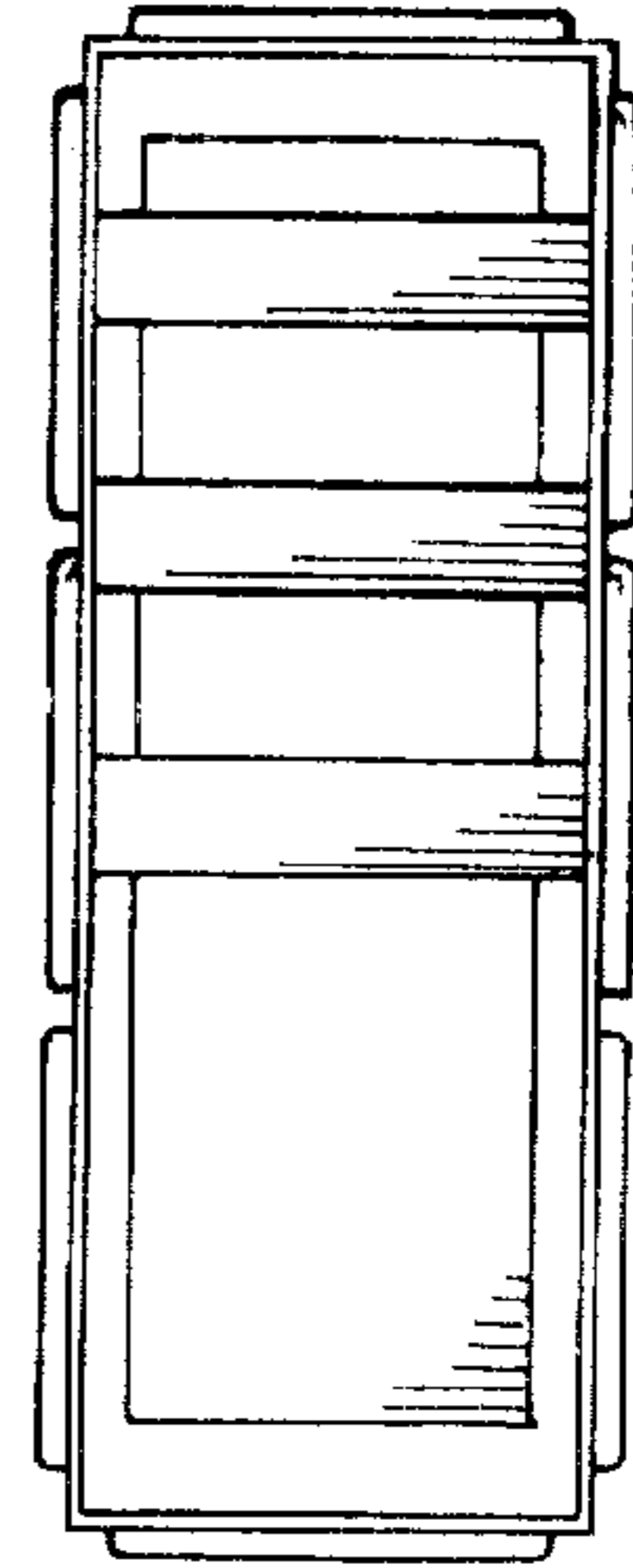


Fig. 3