

[54] PORTABLE PUMP

[75] Inventor: John Rowlands, London, Canada

[73] Assignee: Pressure Equipment Limited,  
London, Canada

[\*\*] Term: 14 Years

[21] Appl. No.: 44,321

[22] Filed: May 31, 1979

[51] Int. Cl. .... D15-02

[52] U.S. Cl. .... D15/7

[58] Field of Search ..... D15/7-9;  
417/234, 423 R

[56] References Cited

U.S. PATENT DOCUMENTS

- D. 110,935 8/1938 Voorhees et al. .... D15/7
- D. 123,201 10/1940 Jackson ..... D15/7 X

- D. 174,901 6/1955 Gamble ..... D15/9
- D. 177,701 5/1956 Sykes ..... D15/9
- D. 210,327 2/1968 Cropper et al. .... D15/7
- 2,430,337 11/1947 Heckert et al. .... 417/234 X
- 2,739,537 3/1956 Sadler et al. .... 417/234 X

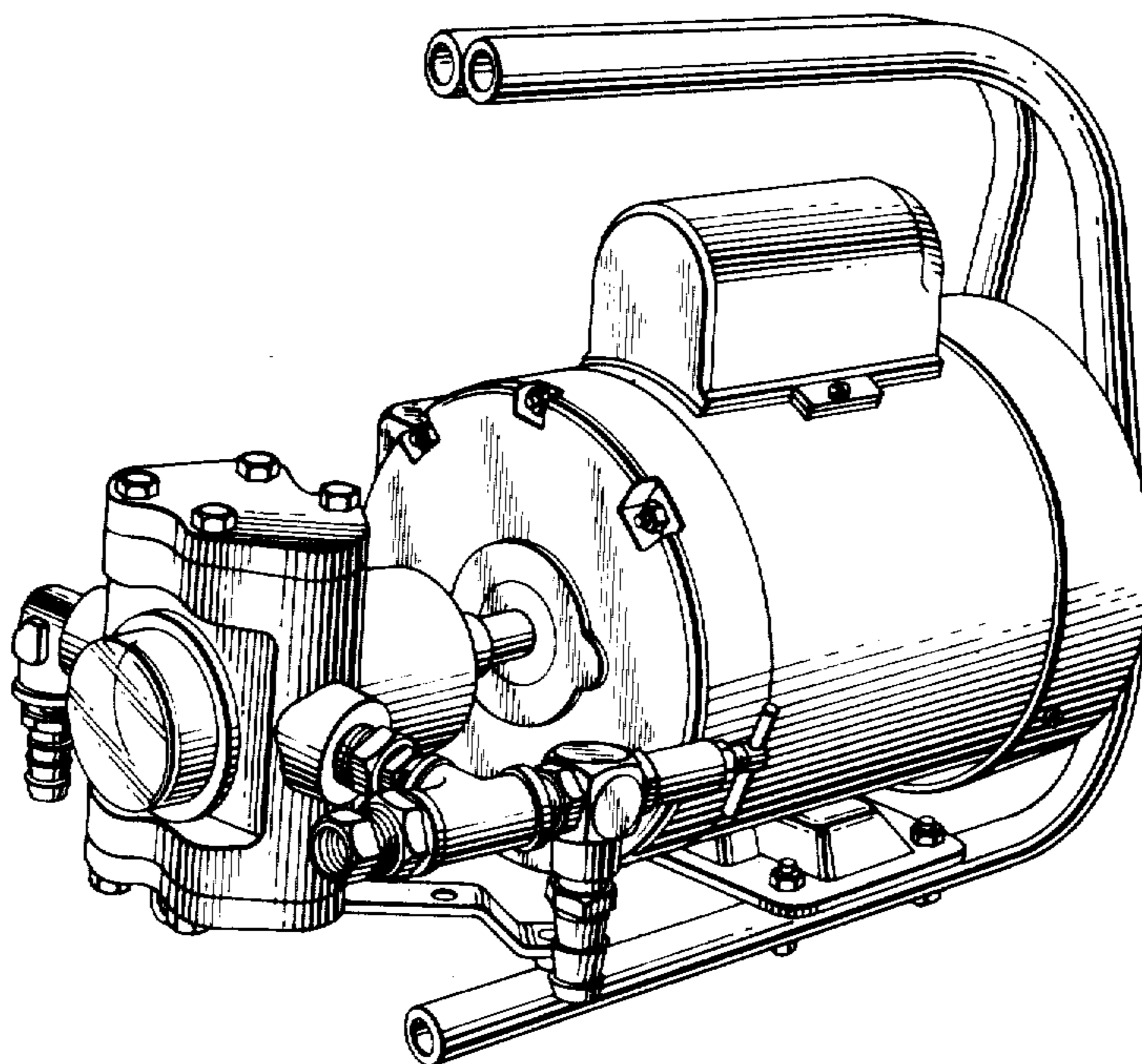
Primary Examiner—James R. Largen  
Attorney, Agent, or Firm—Stevens, Davis, Miller &  
Mosher

[57] CLAIM

The ornamental design for a portable pump, as shown.

DESCRIPTION

FIG. 1 is a perspective view of my design for a portable pump;  
 FIG. 2 is a right side elevational view thereof;  
 FIG. 3 is a left side elevational view thereof;  
 FIG. 4 is a top view thereof;  
 FIG. 5 is a bottom view thereof;  
 FIG. 6 is a front elevational view thereof; and  
 FIG. 7 is a rear elevational view thereof.



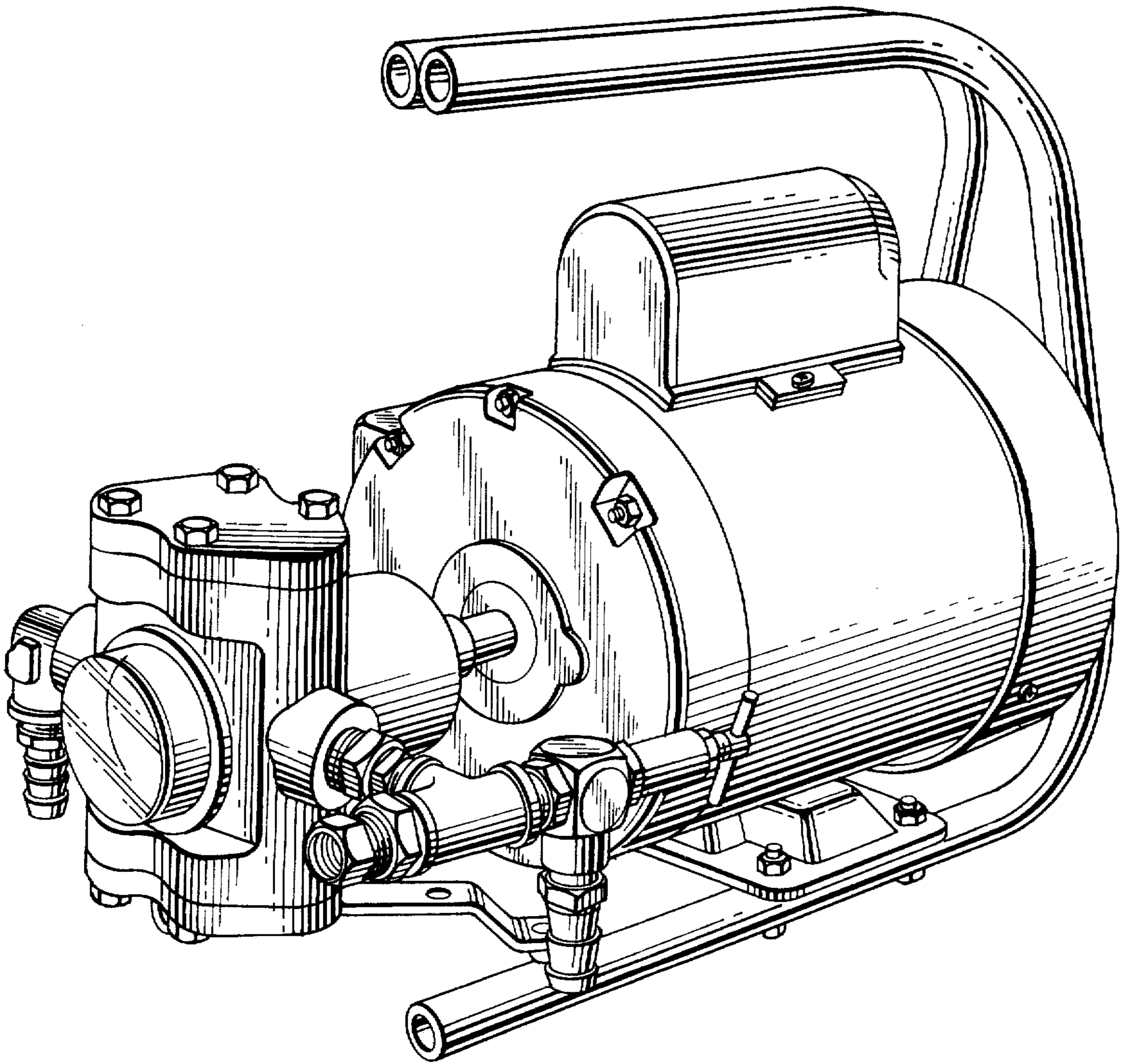


FIG.1

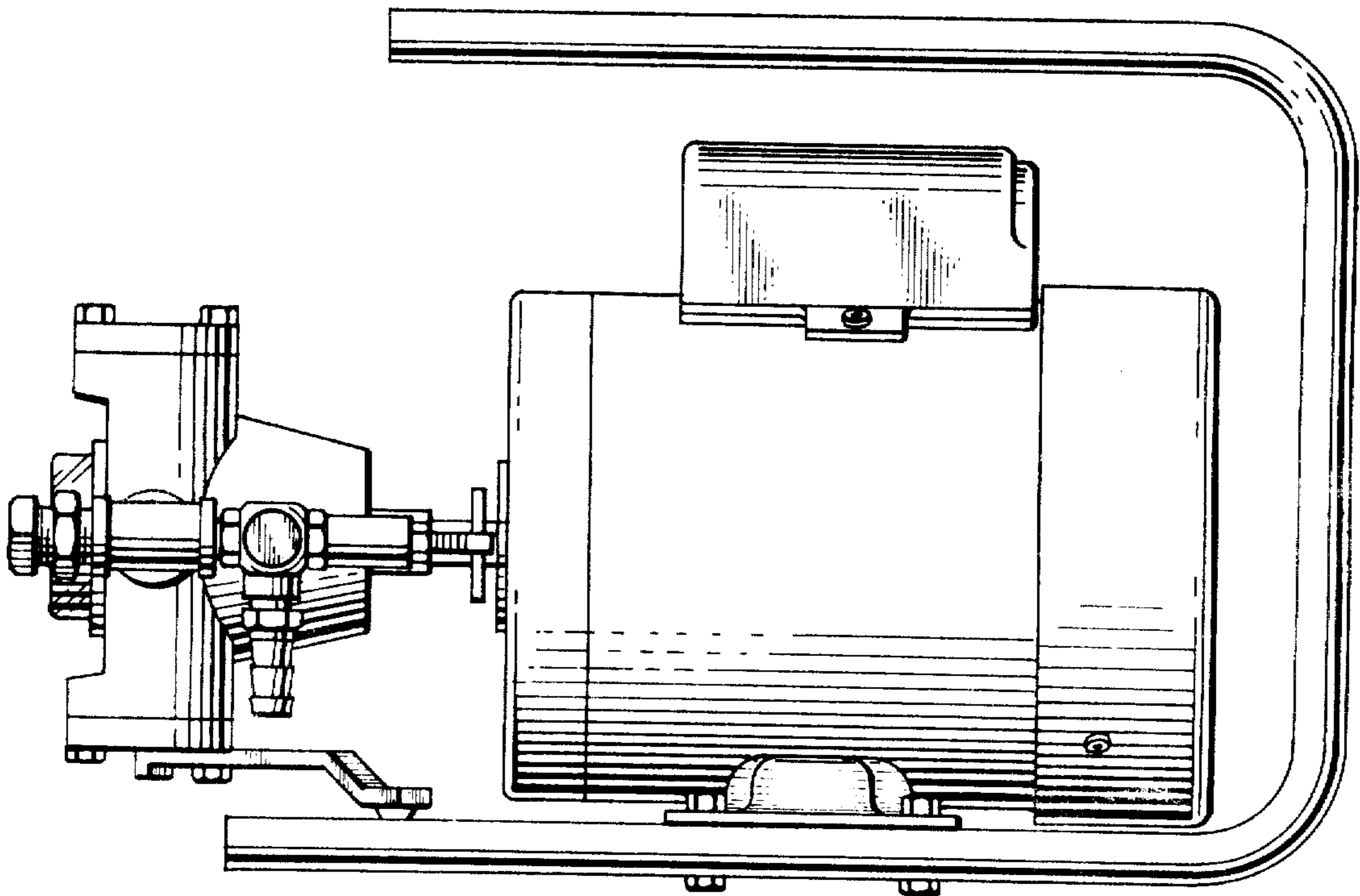


FIG. 2

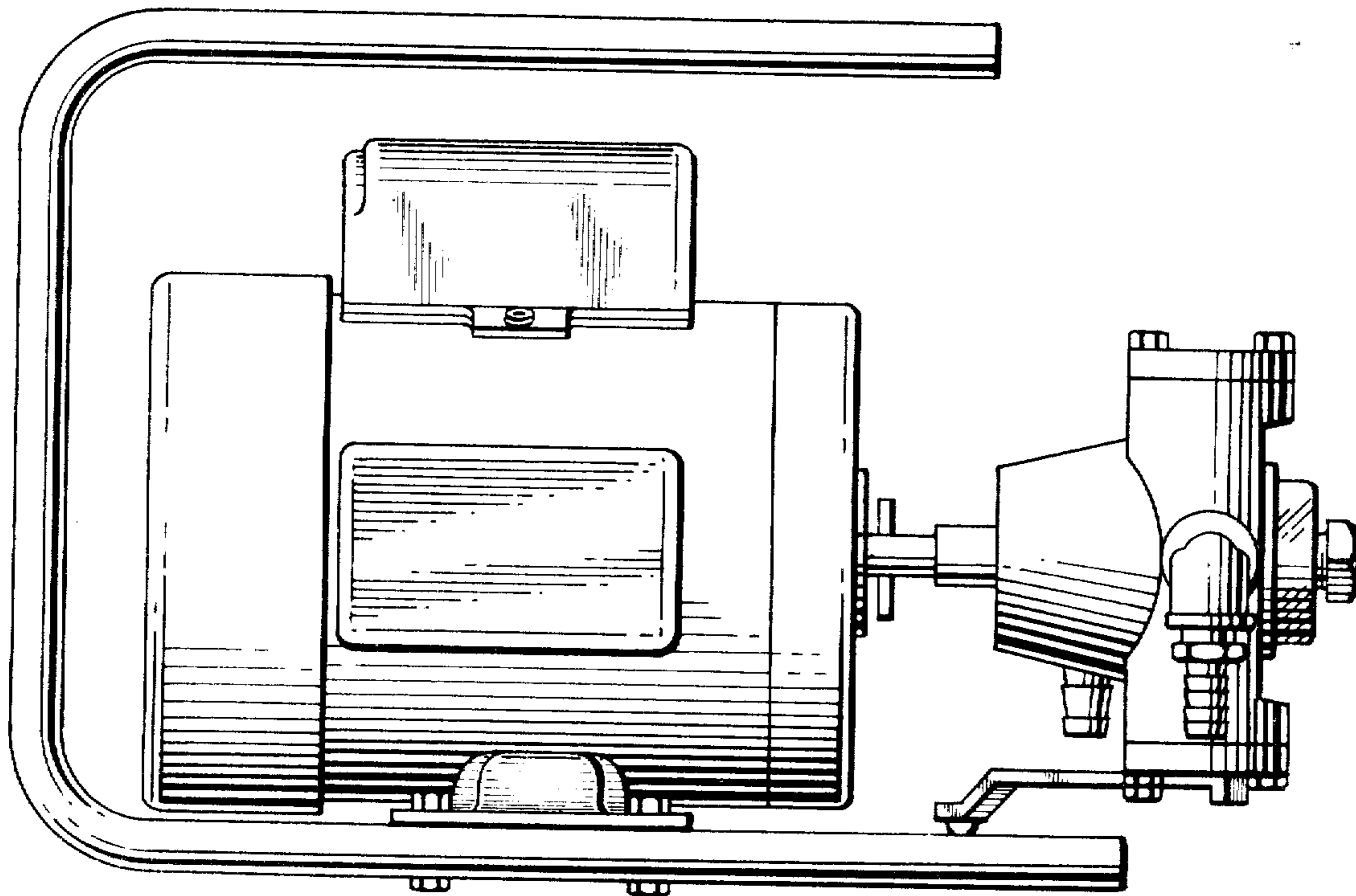


FIG. 3

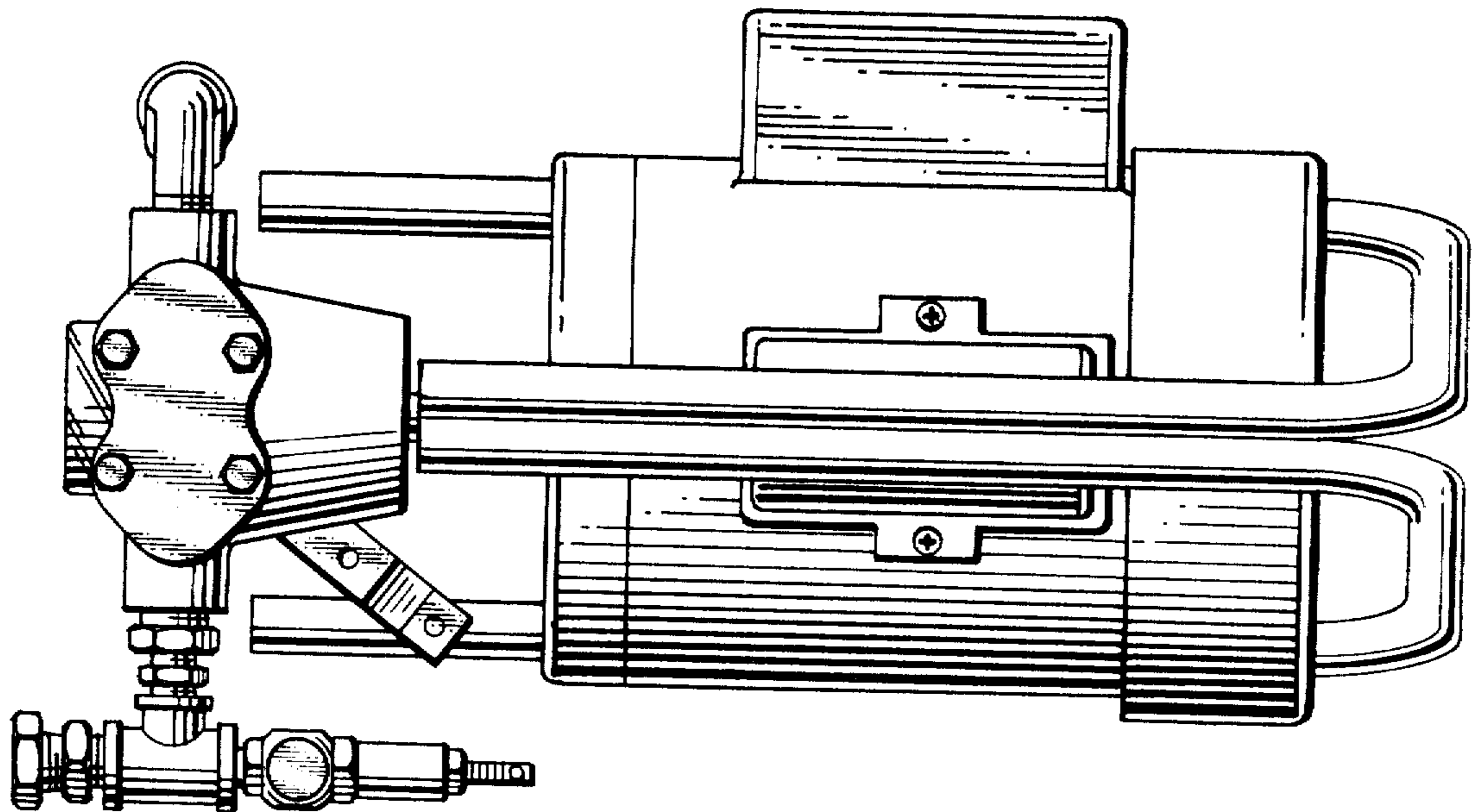


FIG. 4

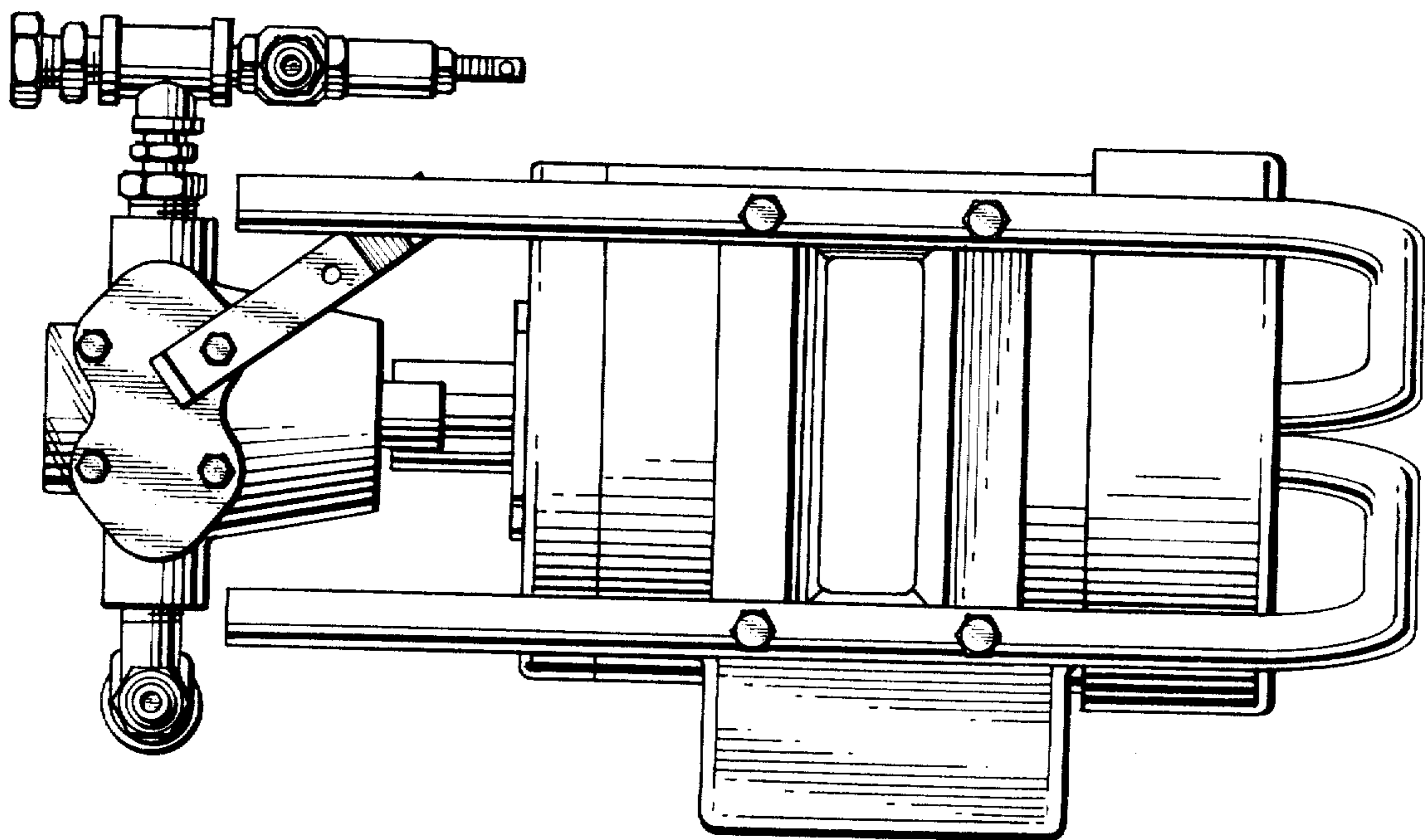


FIG. 5

