

[54] HIGH PRESSURE PUMP

3,046,899 7/1962 Biefang ..... 417/234 X

[75] Inventor: Emmett L. Durrum, Menlo Park, Calif.

[73] Assignee: Eldex Laboratories, Inc., Menlo Park, Calif.

[\*\*] Term: 14 Years

[21] Appl. No.: 9,781

[22] Filed: Feb. 6, 1979

[51] Int. Cl. .... D15-02

[52] U.S. Cl. .... D15/7

[58] Field of Search ..... D15/7-9; D24/8; 417/234

[56] References Cited

U.S. PATENT DOCUMENTS

D. 186,961	12/1959	Eidson	.....	D15/7
D. 192,060	1/1962	Thomas	.....	D15/7
D. 197,154	12/1963	Sakaley, Sr.	.....	D15/7
D. 234,638	3/1975	Schmidt	.....	D24/8
D. 236,164	7/1975	Manno	.....	D24/8
2,891,481	6/1959	Franklin, Jr. et al.	.....	417/234 X

OTHER PUBLICATIONS

Cole-Parmor Catalog 1977-1978, p. 416, top left item.  
Fisher Modern Laboratory Appliances Catalog No. 65, p. 9, top left item.

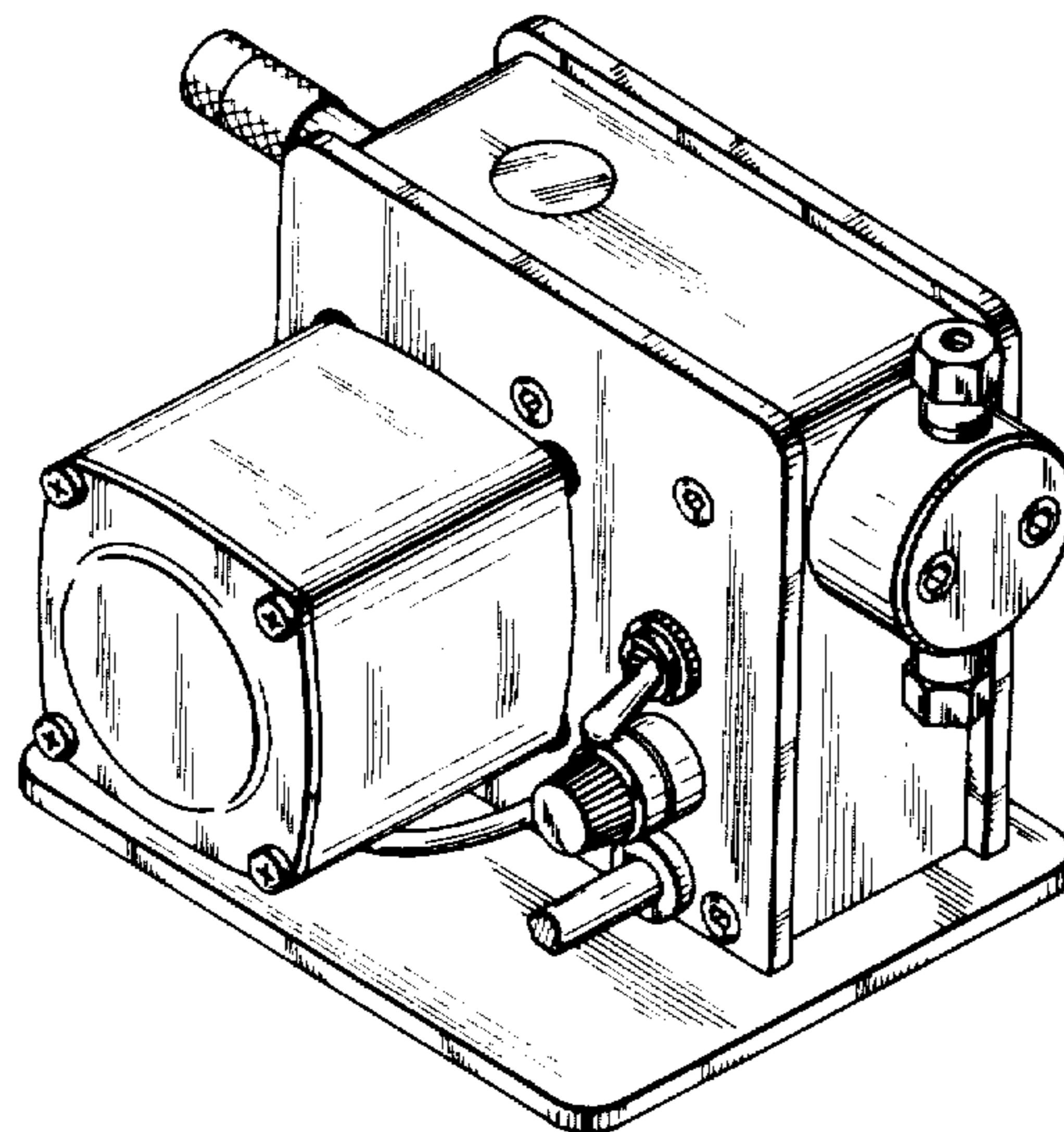
Primary Examiner—James R. Largen  
Attorney, Agent, or Firm—Flehr, Hohbach, Test, Albritton & Herbert

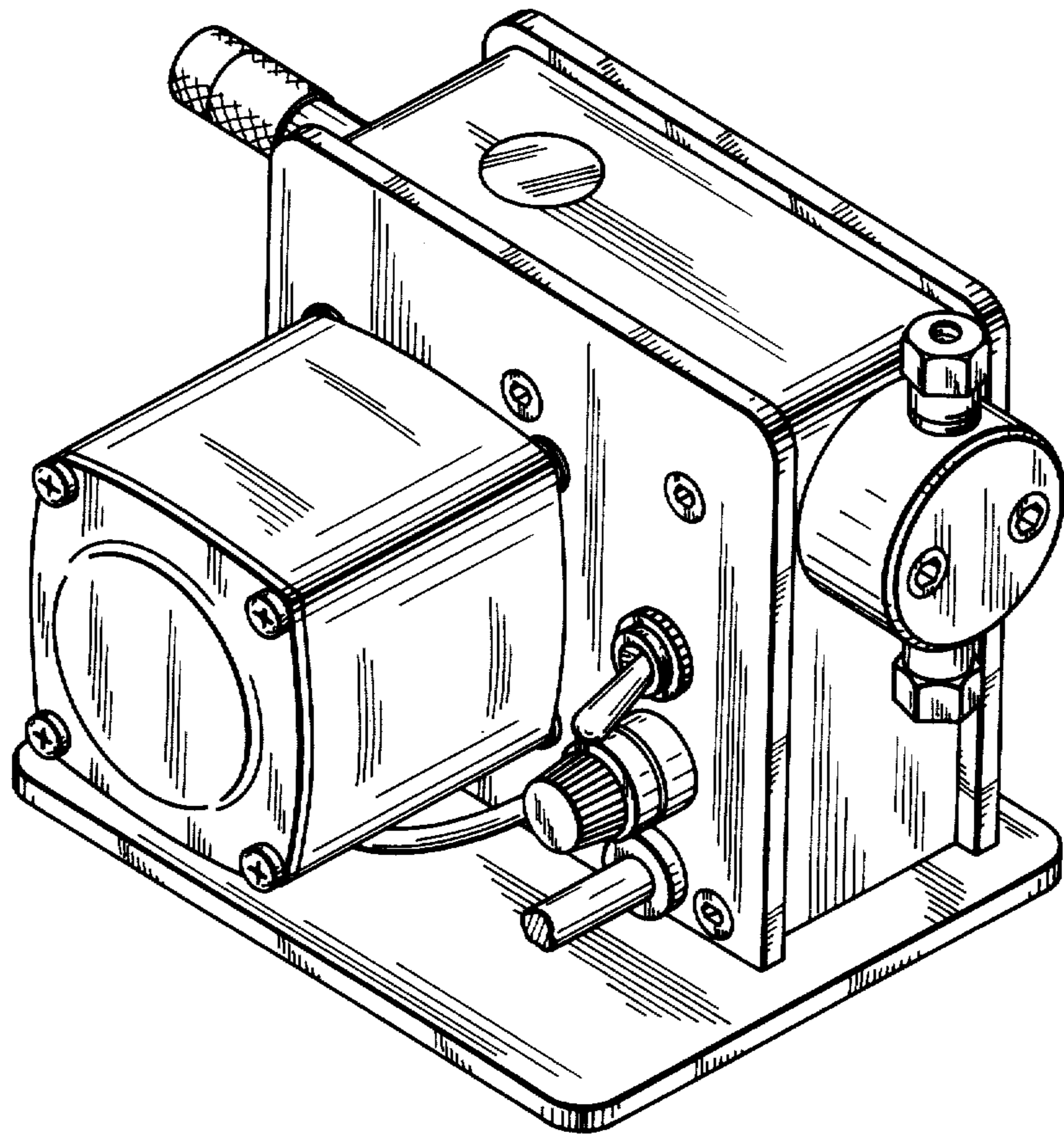
[57] CLAIM

The ornamental design for a high pressure pump, as shown and described.

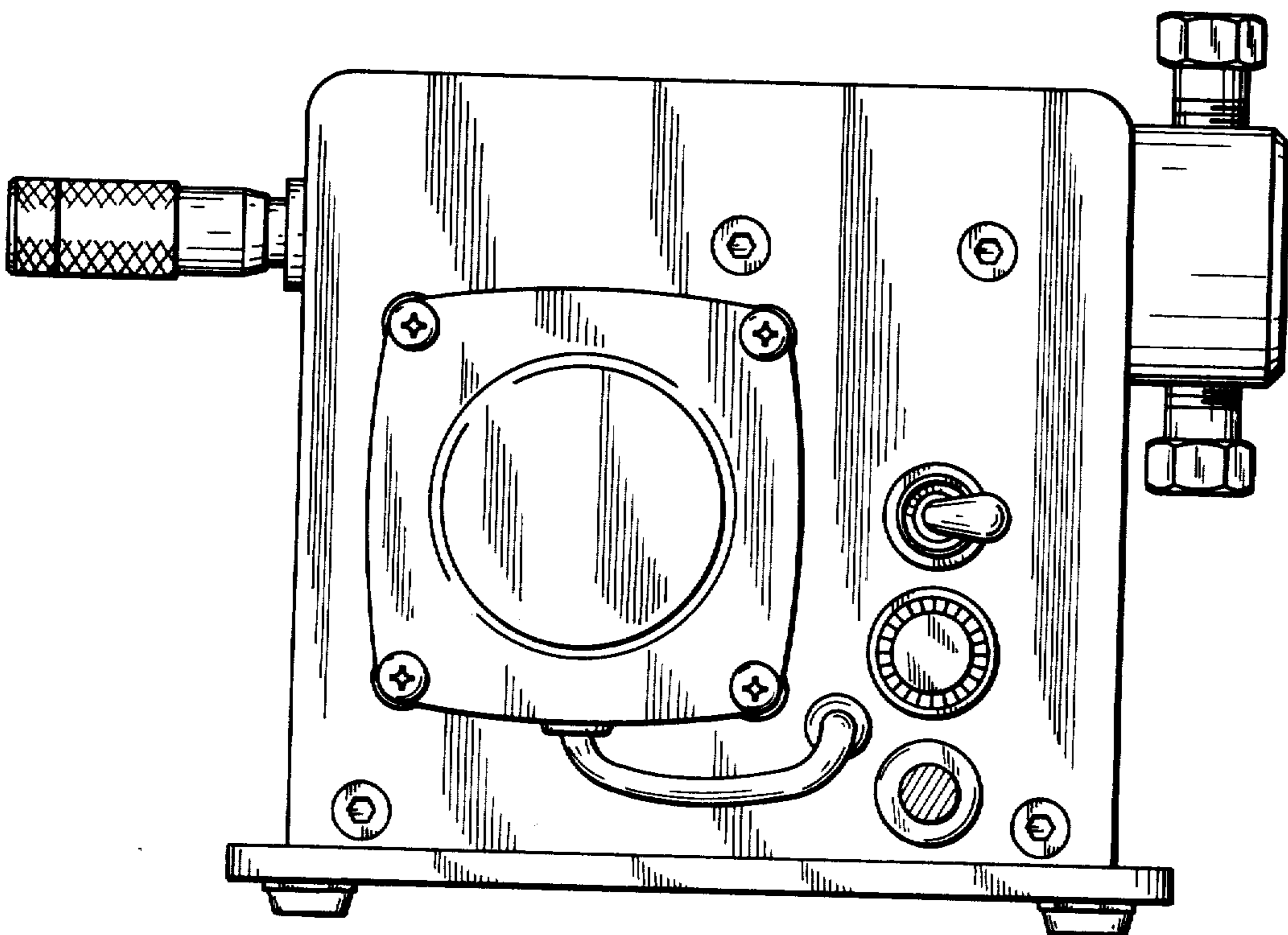
DESCRIPTION

FIG. 1 is a perspective view of the high pressure pump showing my new design;  
FIG. 2 is a front elevational view thereof;  
FIG. 3 is a right side elevational view thereof;  
FIG. 4 is a left side elevational view thereof;  
FIG. 5 is a top plan view thereof; and  
FIG. 6 is a rear elevational view thereof.  
The electric power cord has been broken away in FIGS. 1 through 5 for convenience of illustration.

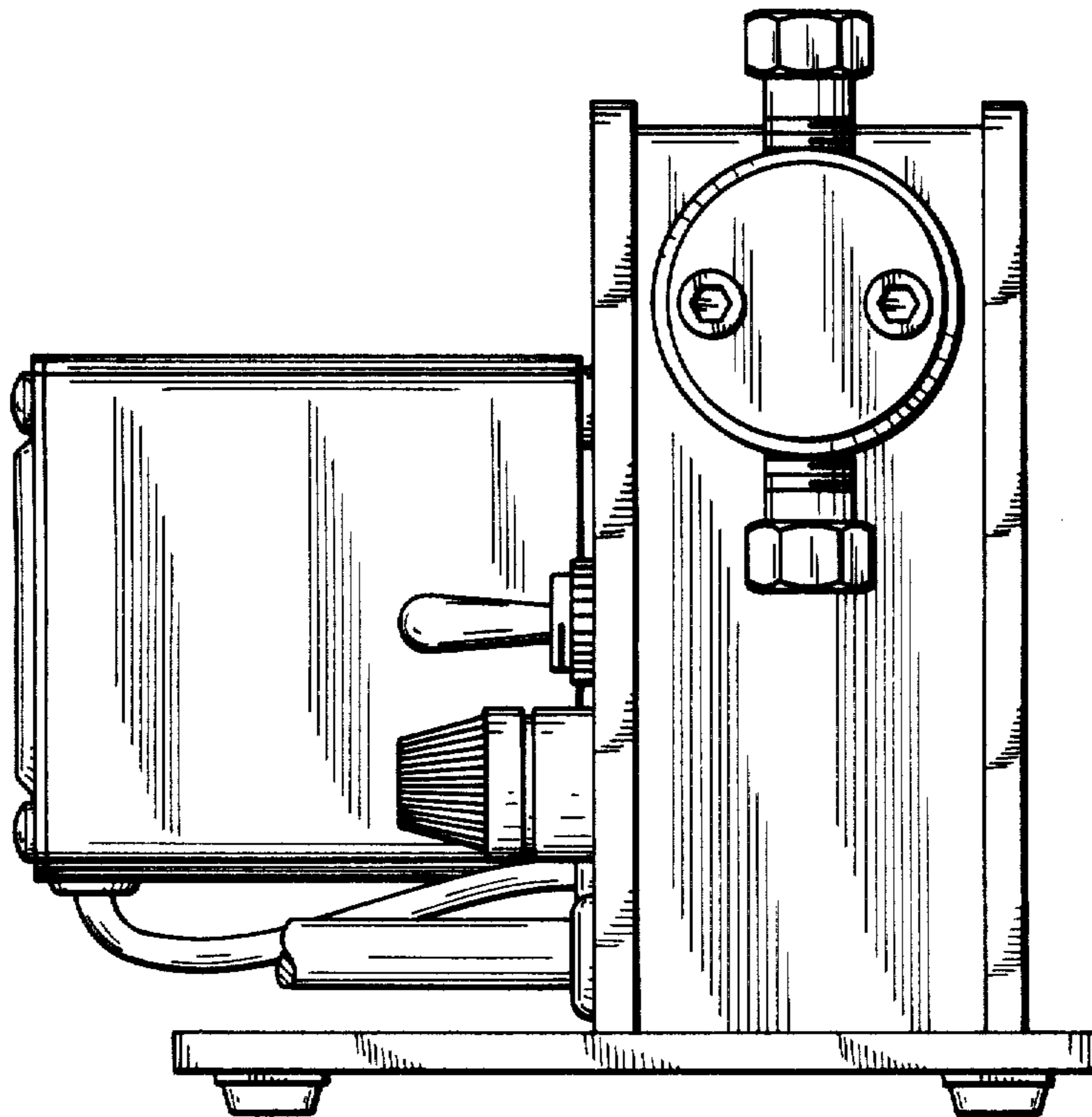




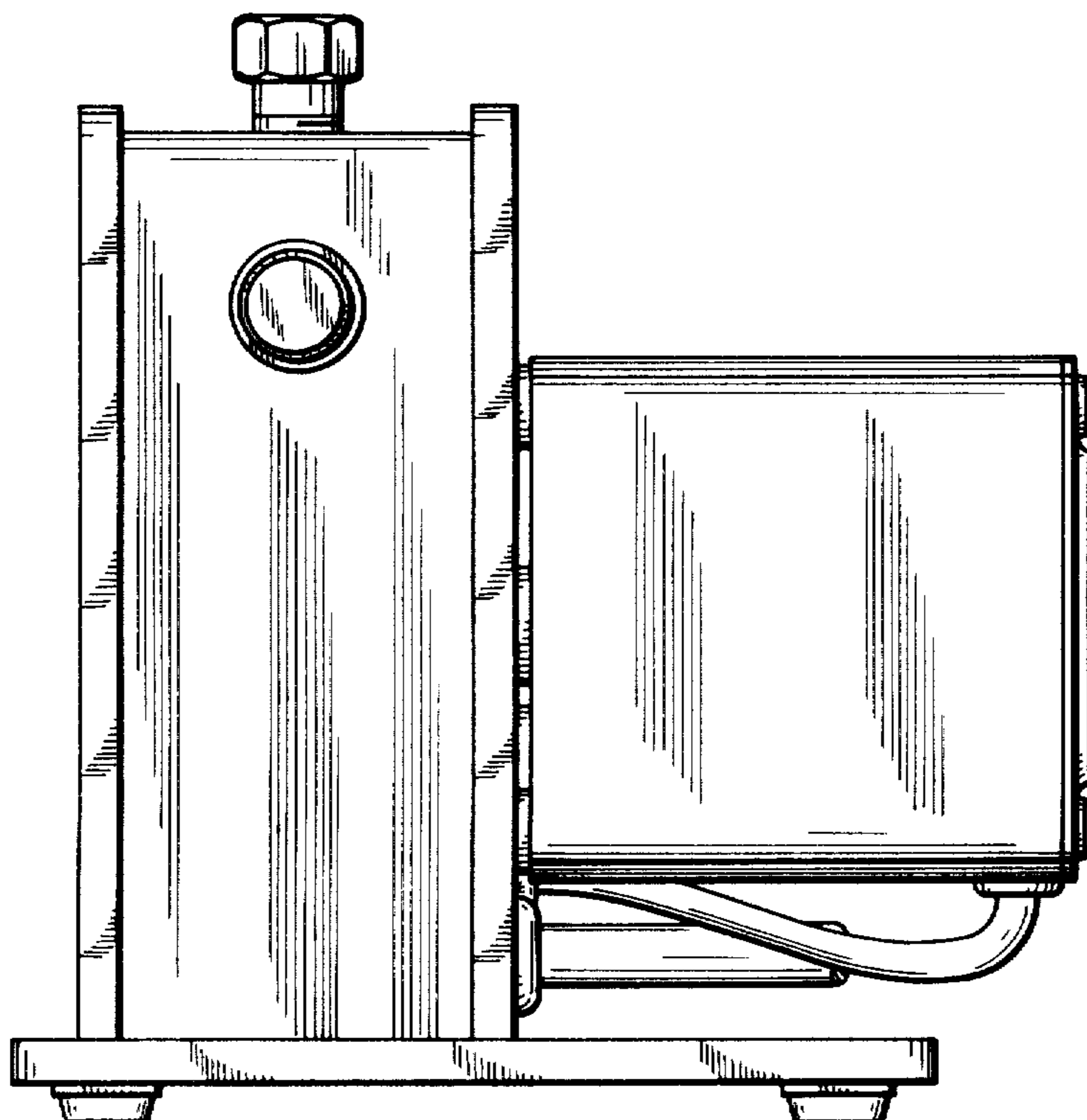
**FIG\_1**



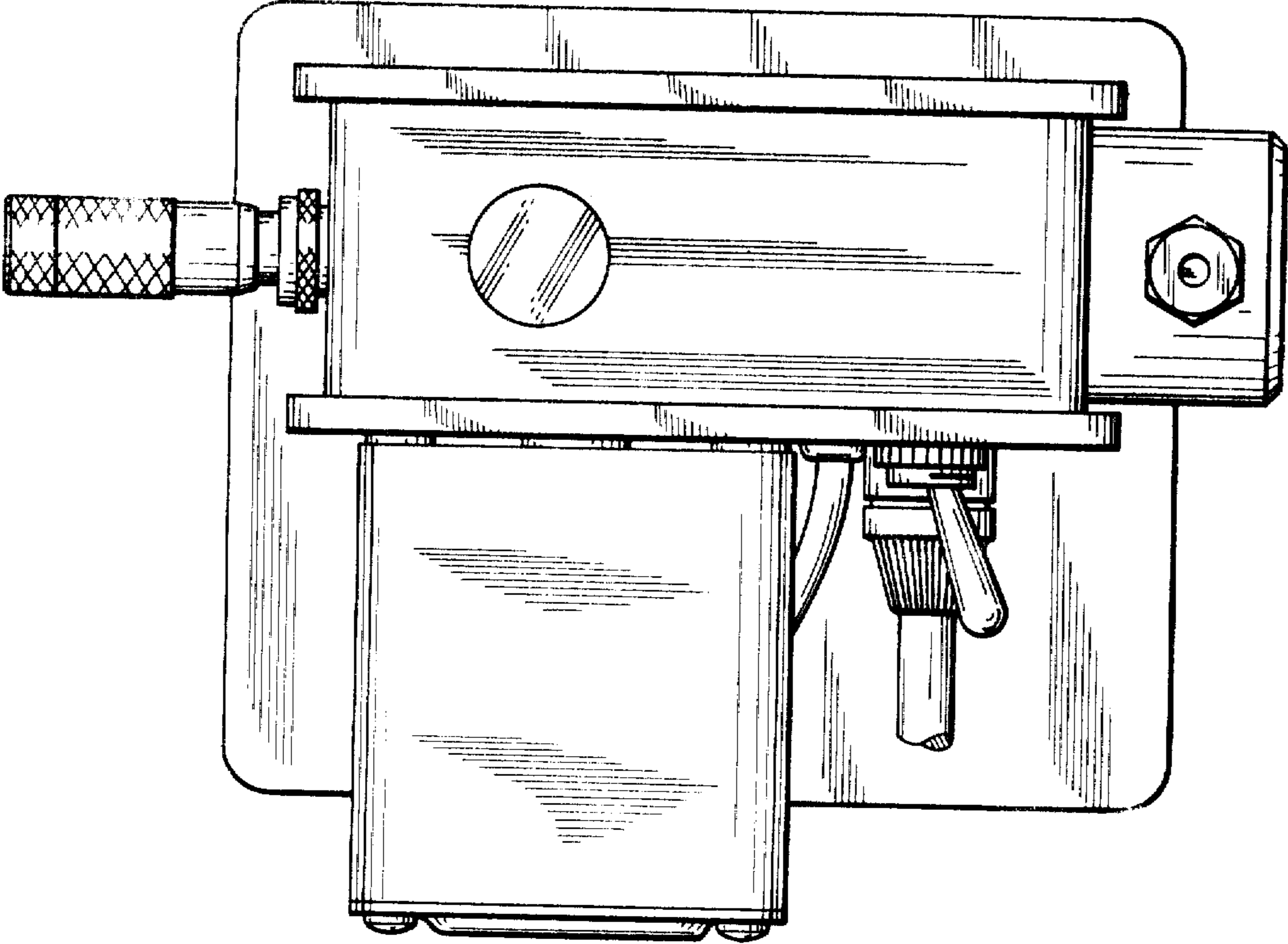
**FIG\_2**



*FIG\_3*



*FIG\_4*



FIG\_5

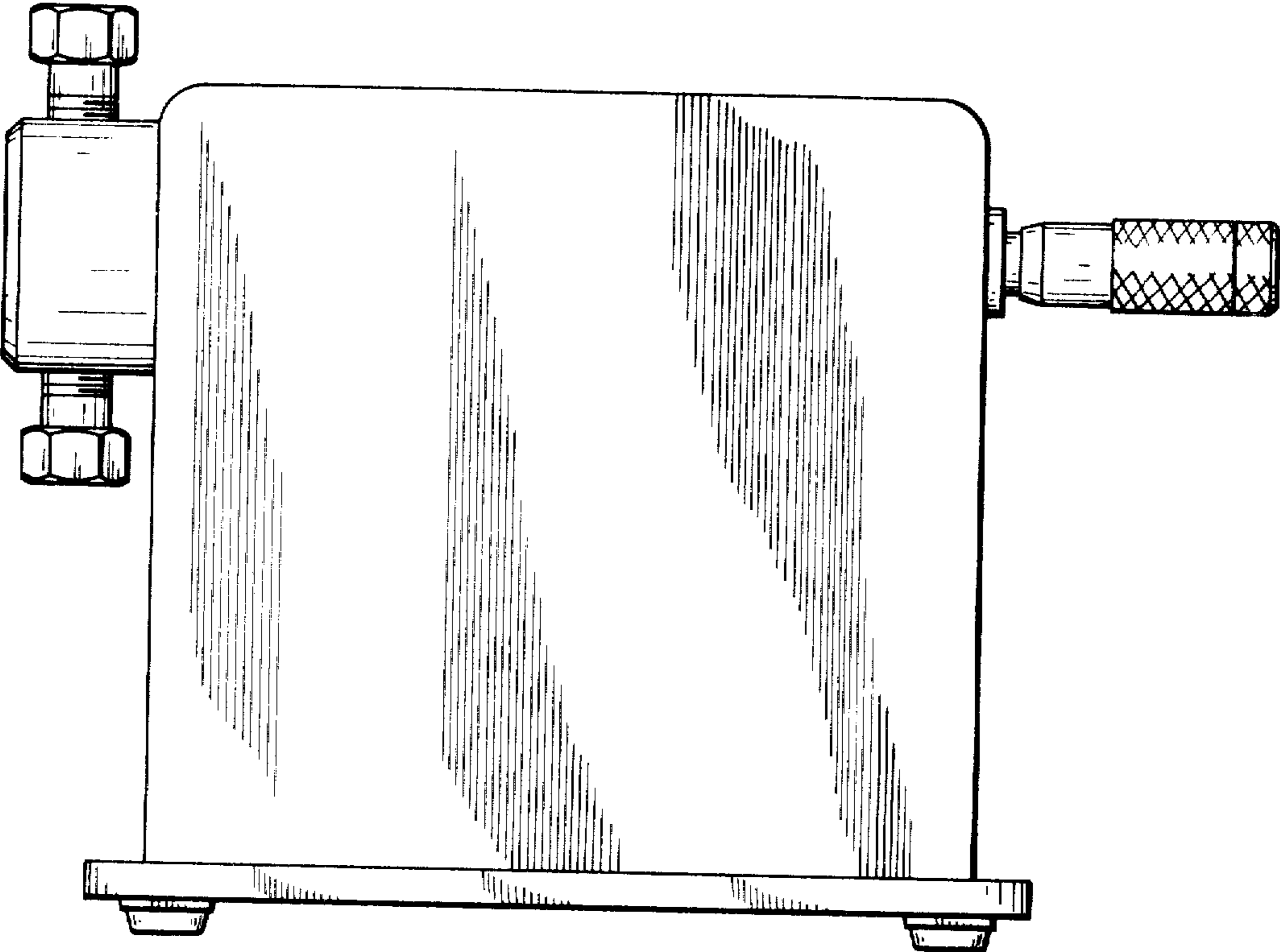


FIG 6