

[54] PORTABLE RADIO

[56] References Cited

[75] Inventors: Iwao Nakajima, Ikoma; Sadayoshi Azuma, Hirakata; Kunio Hoshino, Katano; Benito Mishiro, Sakai, all of Japan

U.S. PATENT DOCUMENTS

D. 247,780	4/1978	Kawano	D14/70
D. 251,493	4/1979	Hamada	D14/70
D. 252,992	9/1979	Hamada et al.	D14/70
D. 256,359	8/1980	Taguchi et al.	D14/70

[73] Assignee: Matsushita Electric Industrial Co., Ltd., Kadoma, Japan

OTHER PUBLICATIONS

Best Products 1979 Buyer's book #122-C, ©1978, p. 325, items "G & H", Panasonic Radios RF567 & RF597.

[**] Term: 14 Years

Primary Examiner—Jane E. Corrigan
Attorney, Agent, or Firm—Sughrue, Mion, Zinn, Macpeak and Seas

[21] Appl. No.: 158,090

[57] CLAIM

The ornamental design for a portable radio, as shown.

[22] Filed: Jun. 10, 1980

DESCRIPTION

[30] Foreign Application Priority Data

Dec. 20, 1979 [JP] Japan 54-53697

FIG. 1 is a front, top and right side perspective view of a portable radio showing our new design;
 FIG. 2 is a rear, bottom and left side perspective view thereof;
 FIG. 3 is a front elevational view thereof;
 FIG. 4 is a top plan view thereof;
 FIG. 5 is a rear elevational view thereof; and
 FIG. 6 is a right side elevational view thereof.

[51] Int. Cl. D14-03
 [52] U.S. Cl. D14/70
 [58] Field of Search D14/1, 5, 6, 68, 70-76

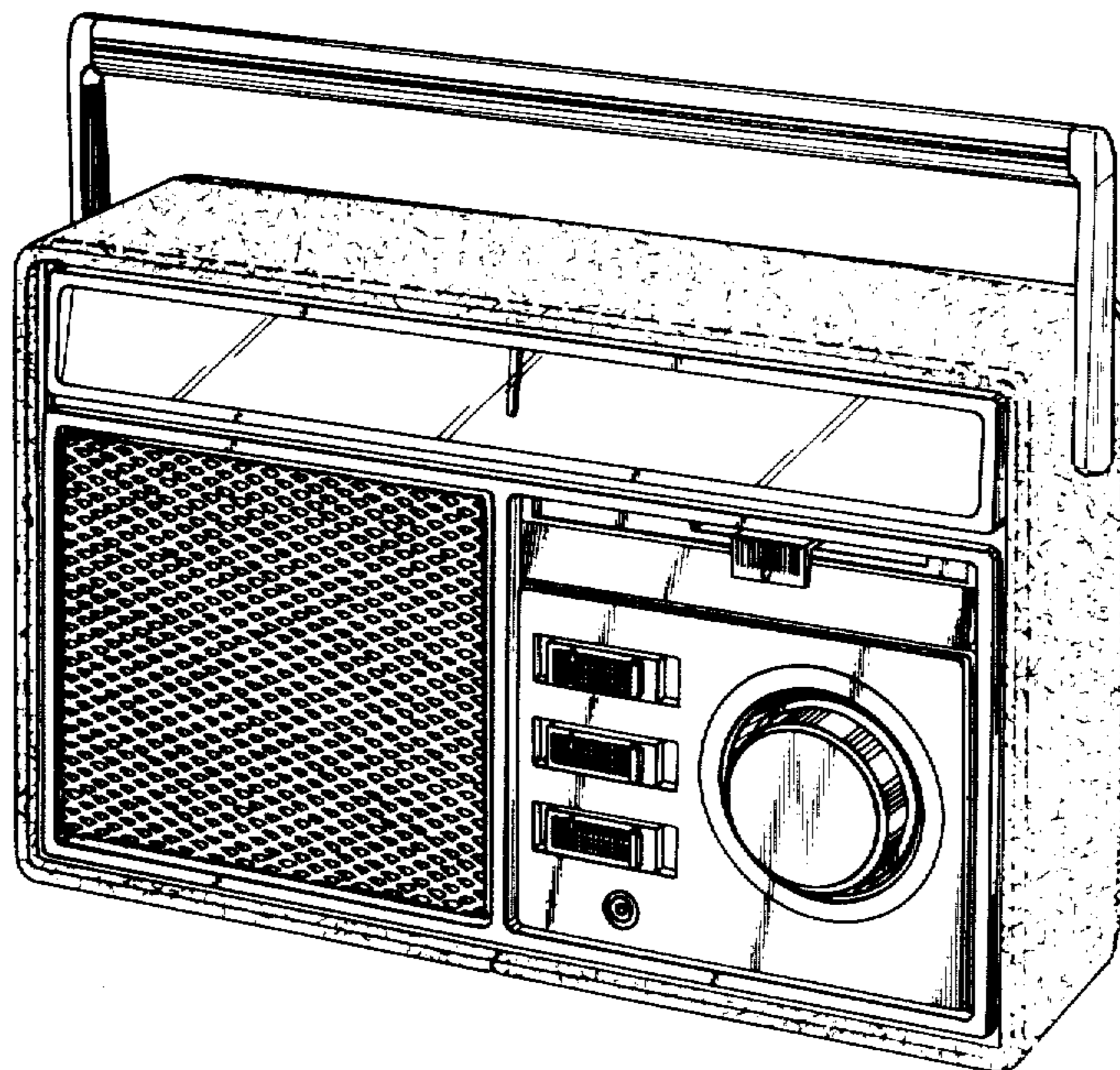


Fig. 1

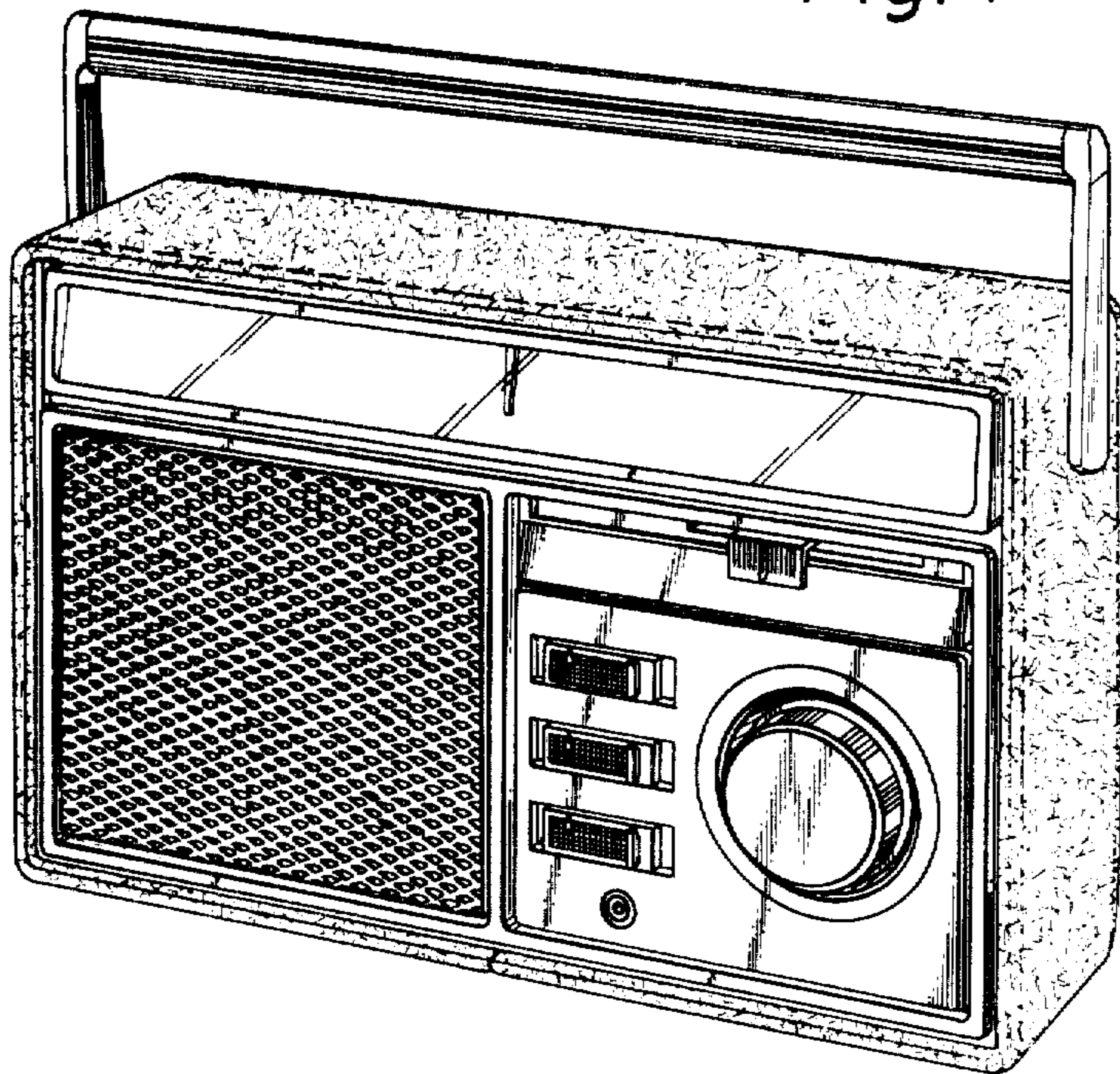


Fig. 2

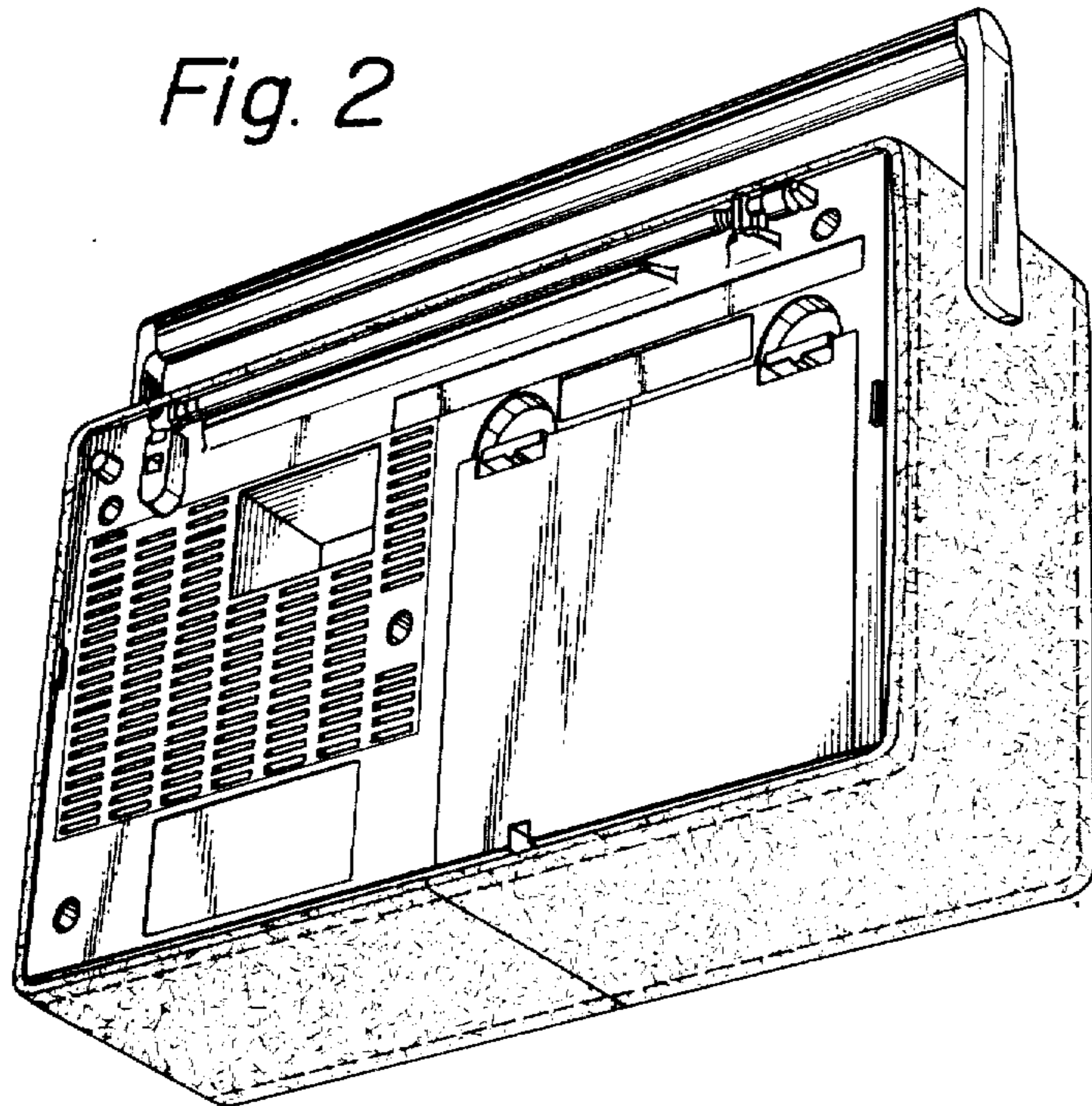


Fig. 3

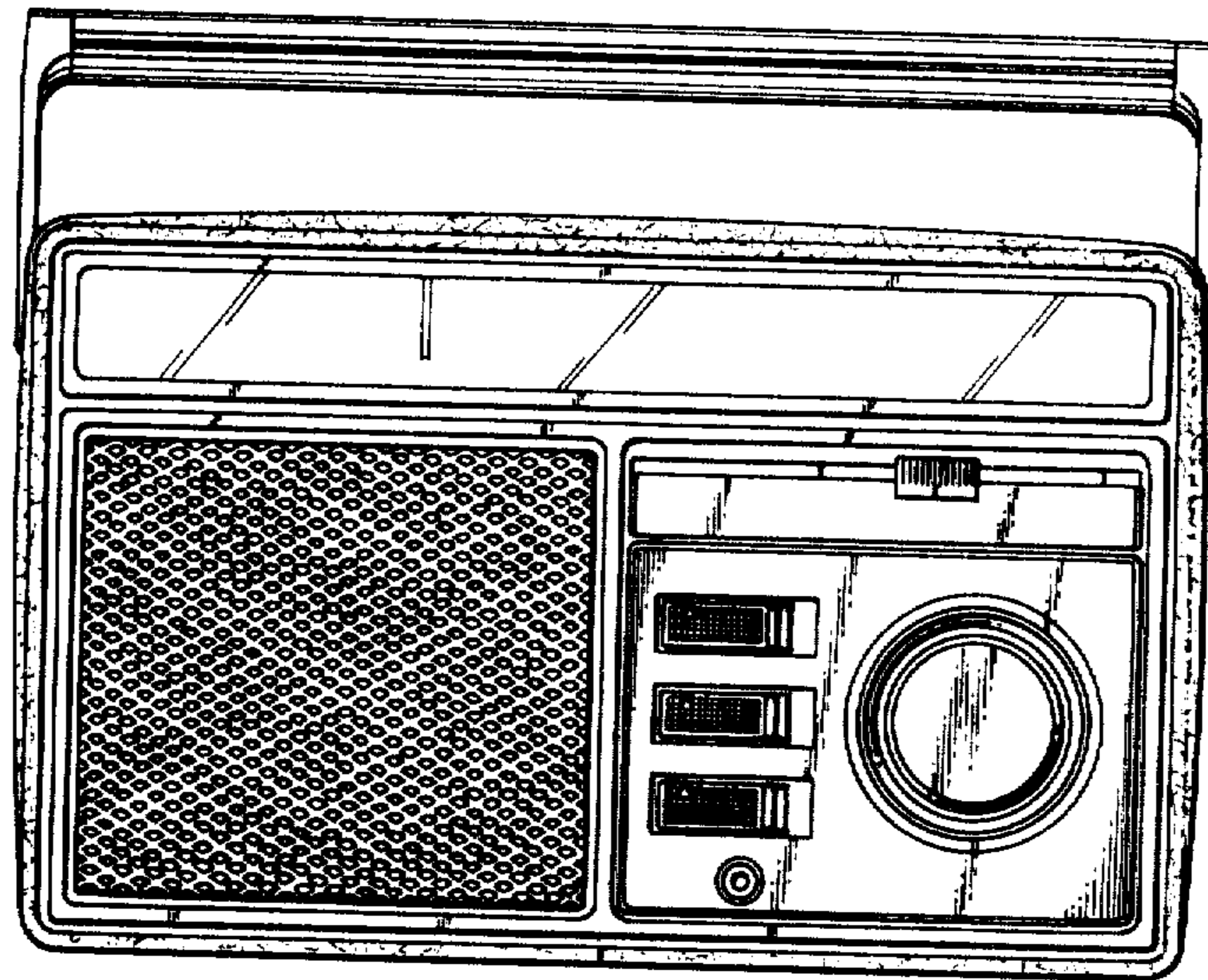


Fig. 4

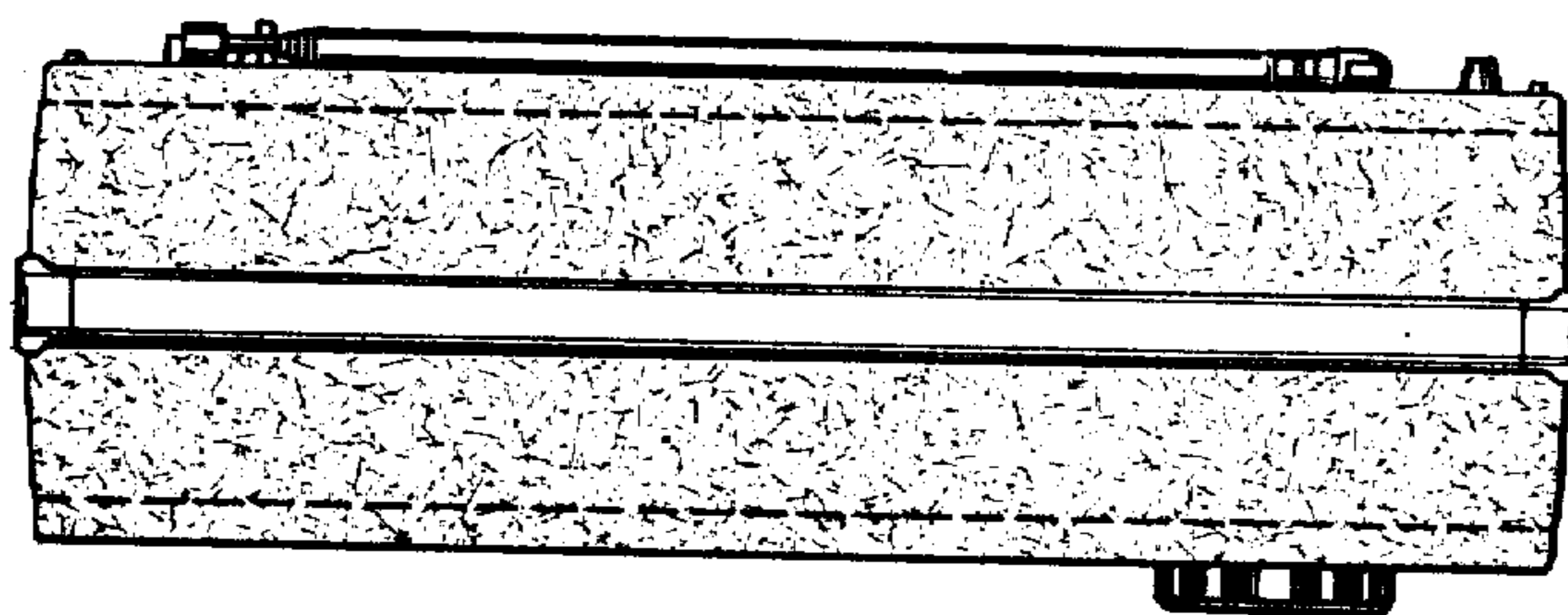


Fig. 5

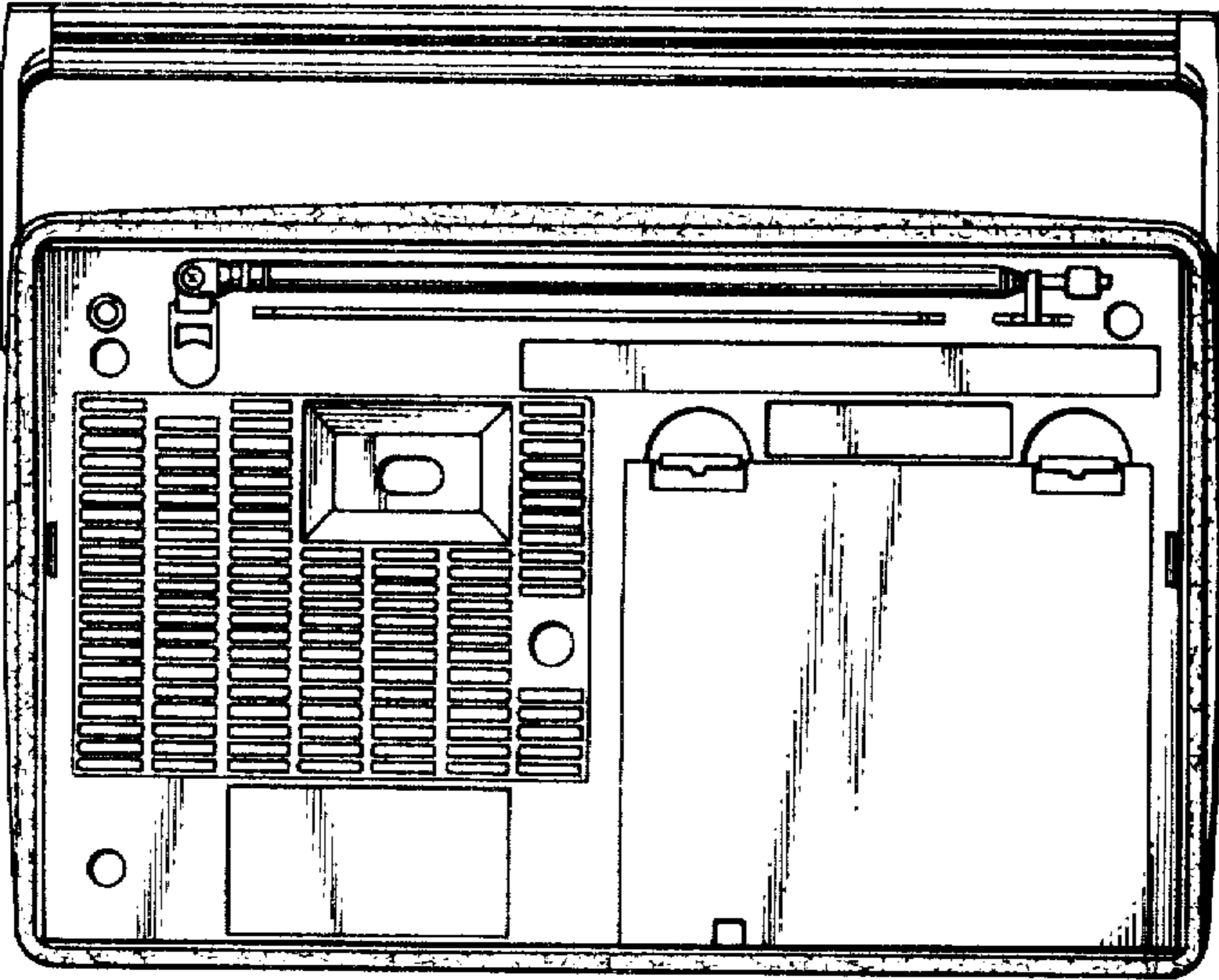


Fig. 6

