

[54] **OVERFLOW TRAY FOR A CAR BATTERY**

[76] Inventor: **Ross M. Simpson**, 7/165 Sydney Rd.,
Fairlight, New South Wales, 2094,
Australia

[**] Term: **14 Years**

[21] Appl. No.: **69,042**

[22] Filed: **Aug. 23, 1979**

[30] **Foreign Application Priority Data**

May 3, 1979 [AU] Australia 77747

[51] Int. Cl. **D13—02**

[52] U.S. Cl. **D13/10**

[58] Field of Search 201/333, 557; 220/1 C,
220/66; D7/37, 21, 84; D99/44, 45, 50; D13/9,
10; D15/89; D12/155

[56] **References Cited**

U.S. PATENT DOCUMENTS

D. 226,285	2/1973	Bateman	D7/37
2,183,992	12/1939	Hearn et al.	D7/37 X
3,353,615	11/1967	Nekimken	220/1 C X
3,490,602	1/1970	Wentzel	D7/37 X
4,083,453	4/1978	Berger et al.	D7/37 X
4,201,307	5/1980	Malloy	220/1 C X

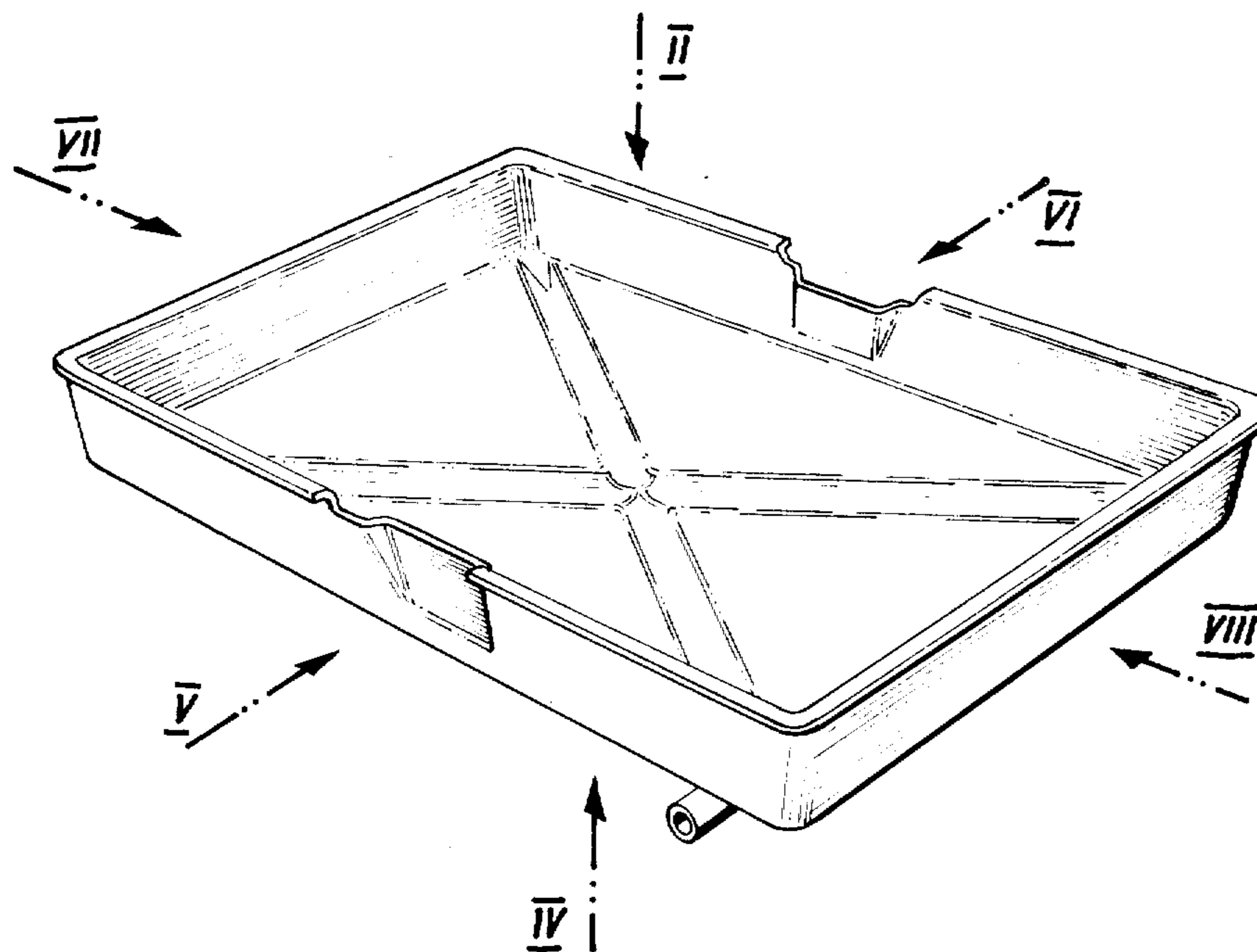
Primary Examiner—A. Hugo Word
Attorney, Agent, or Firm—Emory L. Groff, Jr.

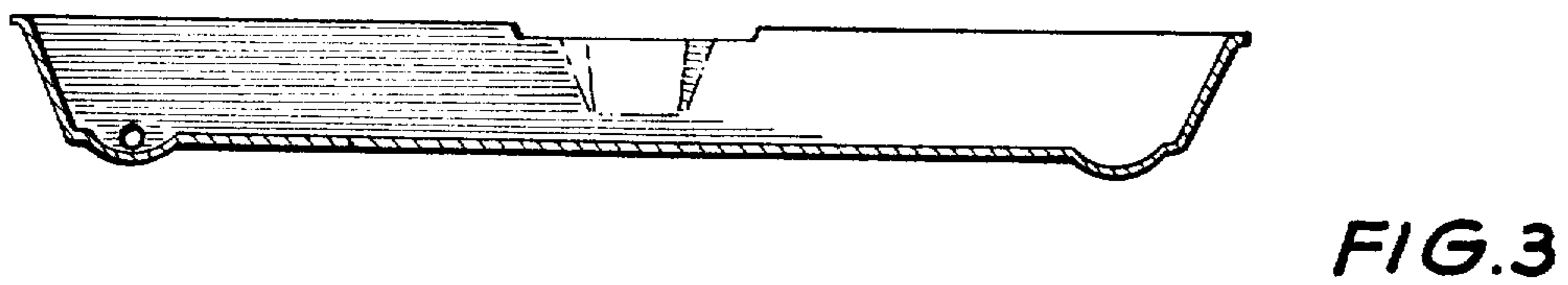
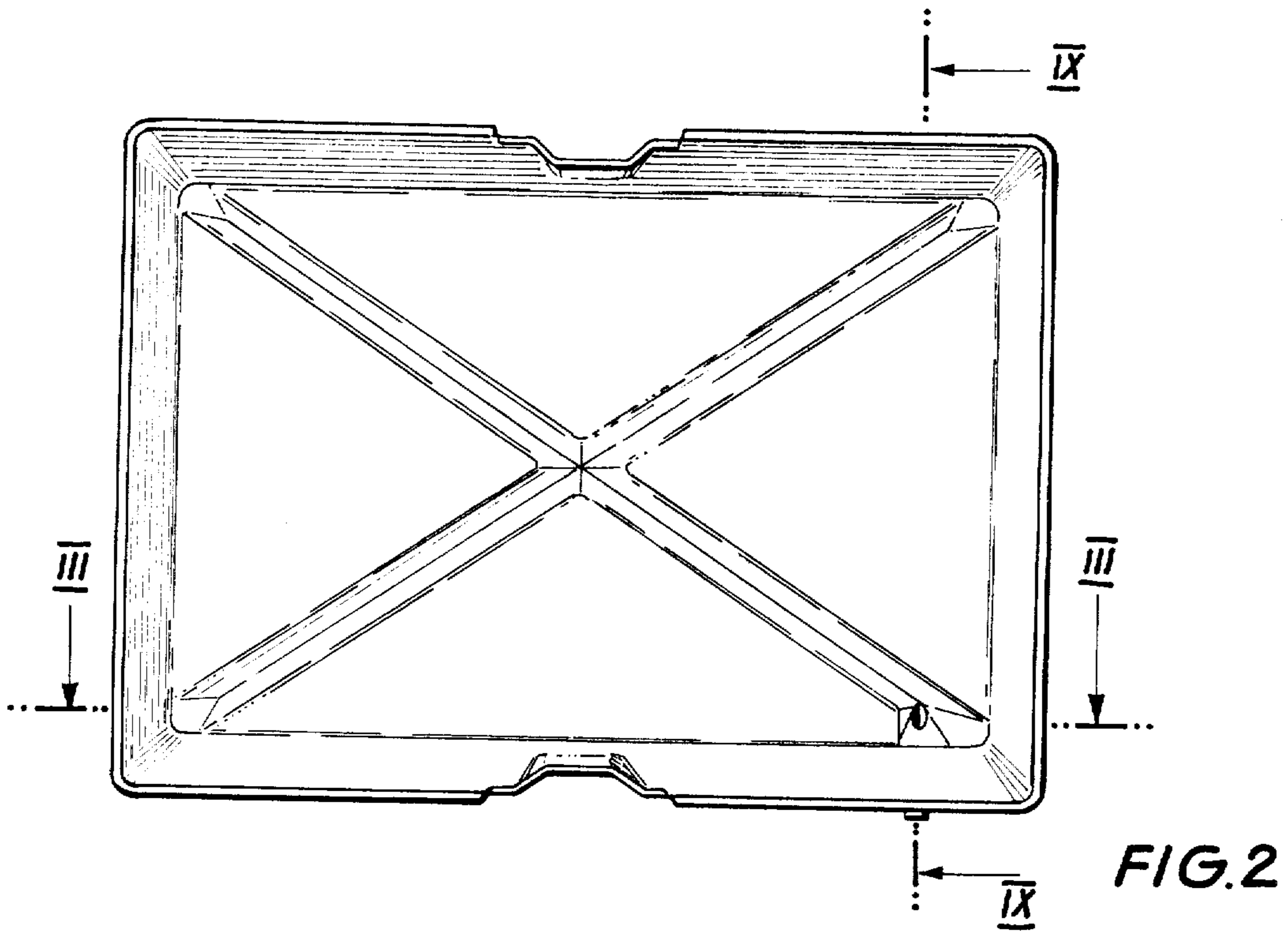
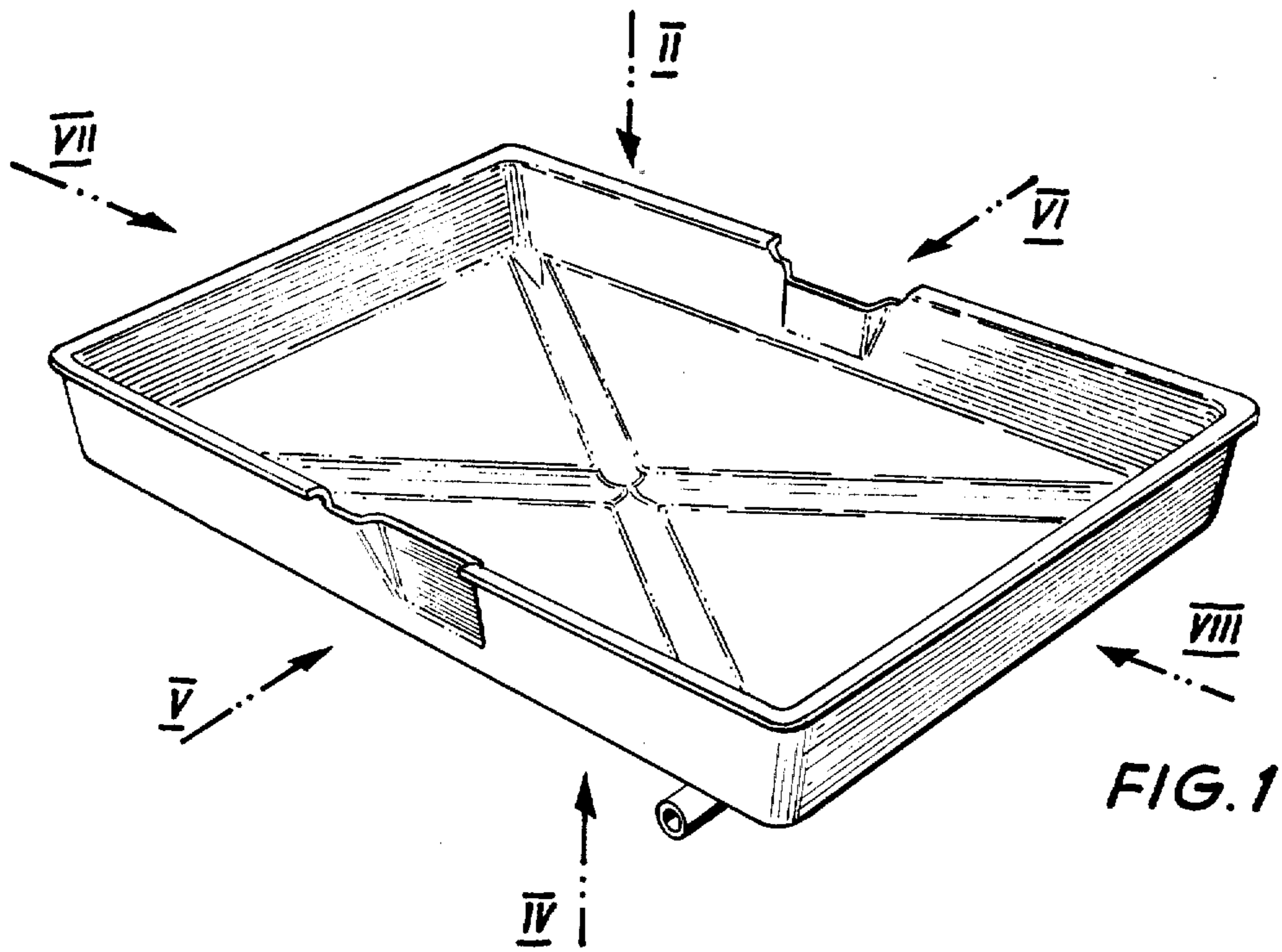
[57] **CLAIM**

The ornamental design for an overflow tray for a car battery, as shown.

DESCRIPTION

FIG. 1 is a perspective view of the overflow tray for a car battery;
FIG. 2 is a plan view taken in the direction of arrow II of the tray of FIG. 1;
FIG. 3 is a sectional view taken along arrows III of FIG. 2;
FIG. 4 is a bottom plan view taken in the direction of arrow IV of FIG. 1;
FIG. 5 is a view of the tray of FIG. 1 taken in the direction of arrow V;
FIG. 6 is a view of the tray of FIG. 1 taken in the direction of the arrow VI;
FIG. 7 is a view of the tray of FIG. 1 taken in the direction of the arrow VII;
FIG. 8 is a view of the tray of FIG. 1 taken in the direction of the arrow VIII; and
FIG. 9 is a sectional view of FIG. 2 taken along arrows IX.





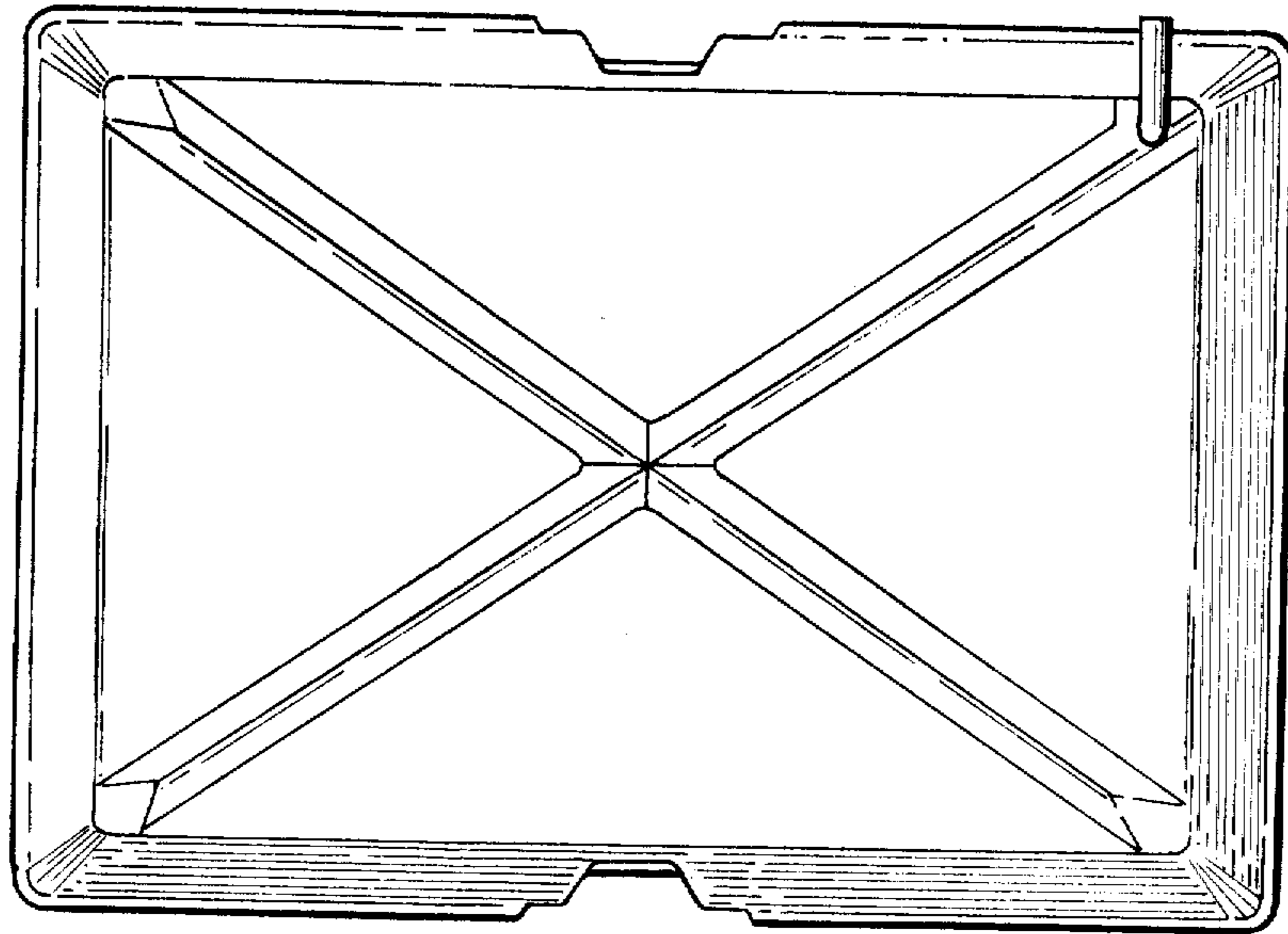


FIG. 4

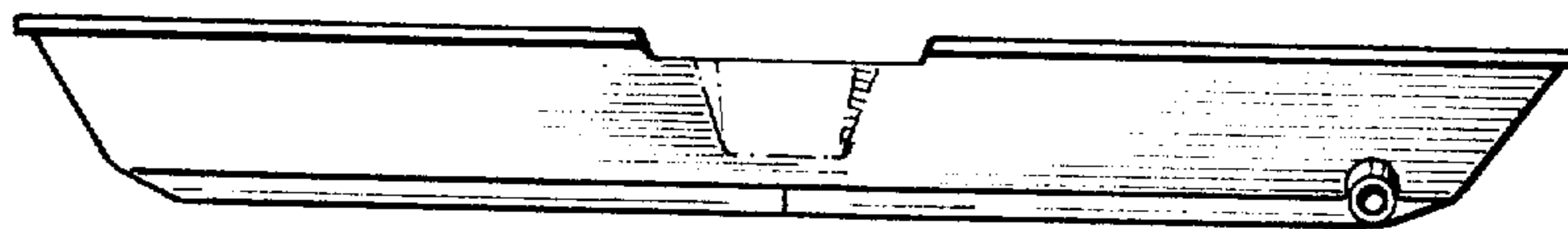


FIG. 5

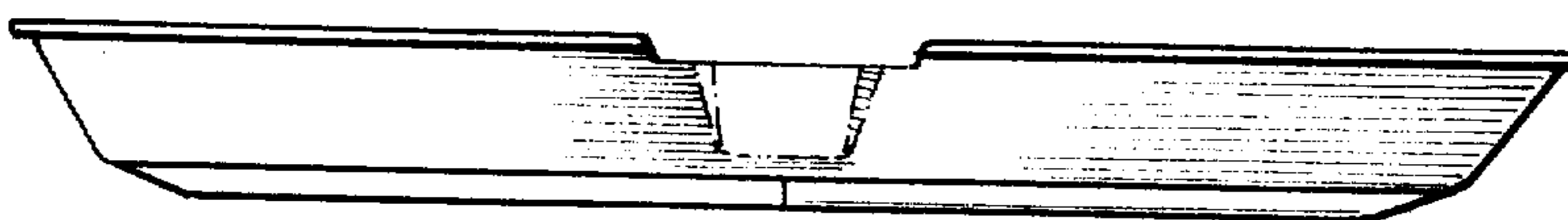


FIG. 6

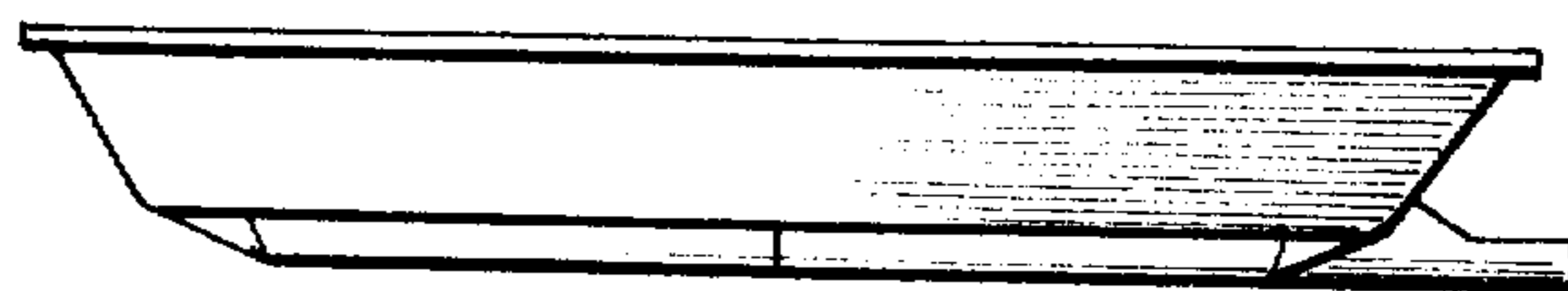


FIG. 7

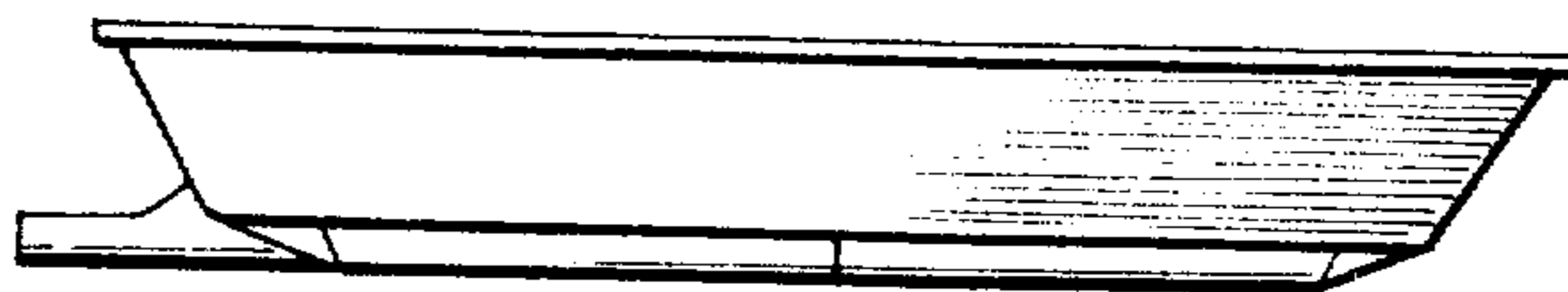


FIG. 8

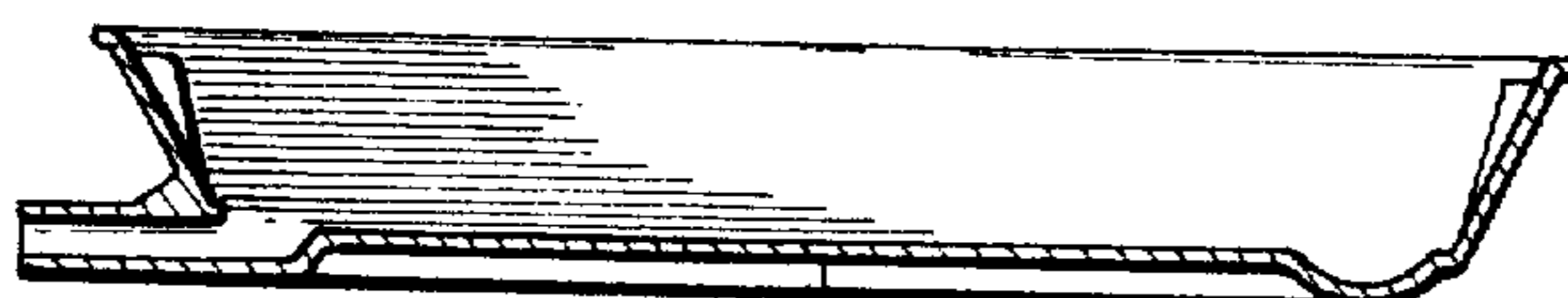


FIG. 9