

[54] ARTICULATING CARRIER HEAD

[56] References Cited

[76] Inventor: John F. Miller, P. O. Box 277,
Howell, Mich. 48843

U.S. PATENT DOCUMENTS

876,486 1/1908 Pfaffenbach 105/152

[**] Term: 14 Years

Primary Examiner—James M. Gandy
Attorney, Agent, or Firm—Burton, Parker & Schramm

[21] Appl. No.: 20,664

[57] CLAIM

The ornamental design for an articulating carrier head,
as shown.

[22] Filed: Mar. 15, 1979

DESCRIPTION

[51] Int. Cl. D12-05

[52] U.S. Cl. D34/35

[58] Field of Search D12/60, 54; D8/373;
105/150, 152, 154, 155; 104/93

FIG. 1 is a front elevational view of an articulating
carrier head showing my new design;
FIG. 2 is a rear elevational view thereof;
FIG. 3 is a top plan view thereof;
FIG. 4 is a side elevational view thereof; and
FIG. 5 is a bottom plan view thereof.

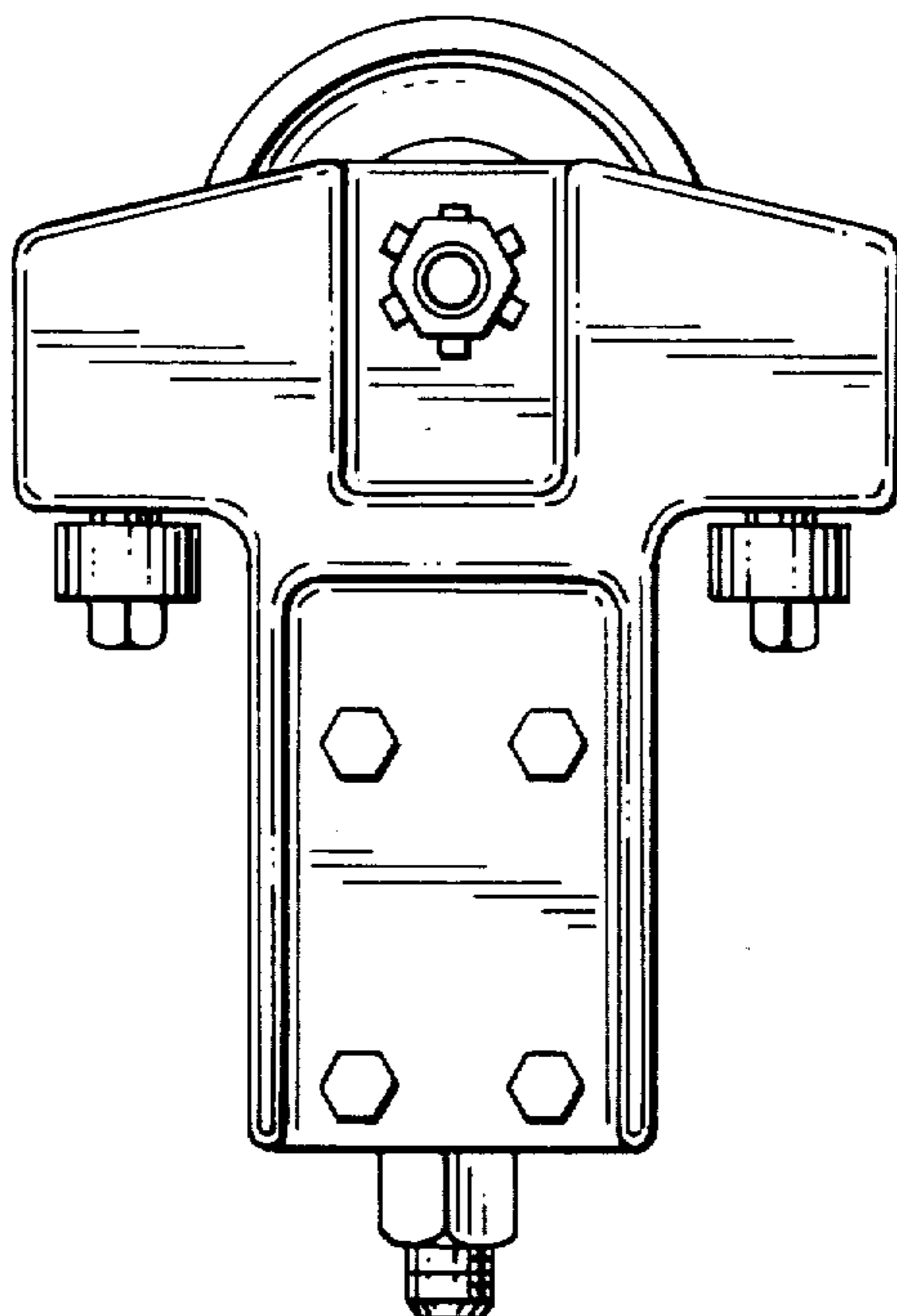


FIG. 1

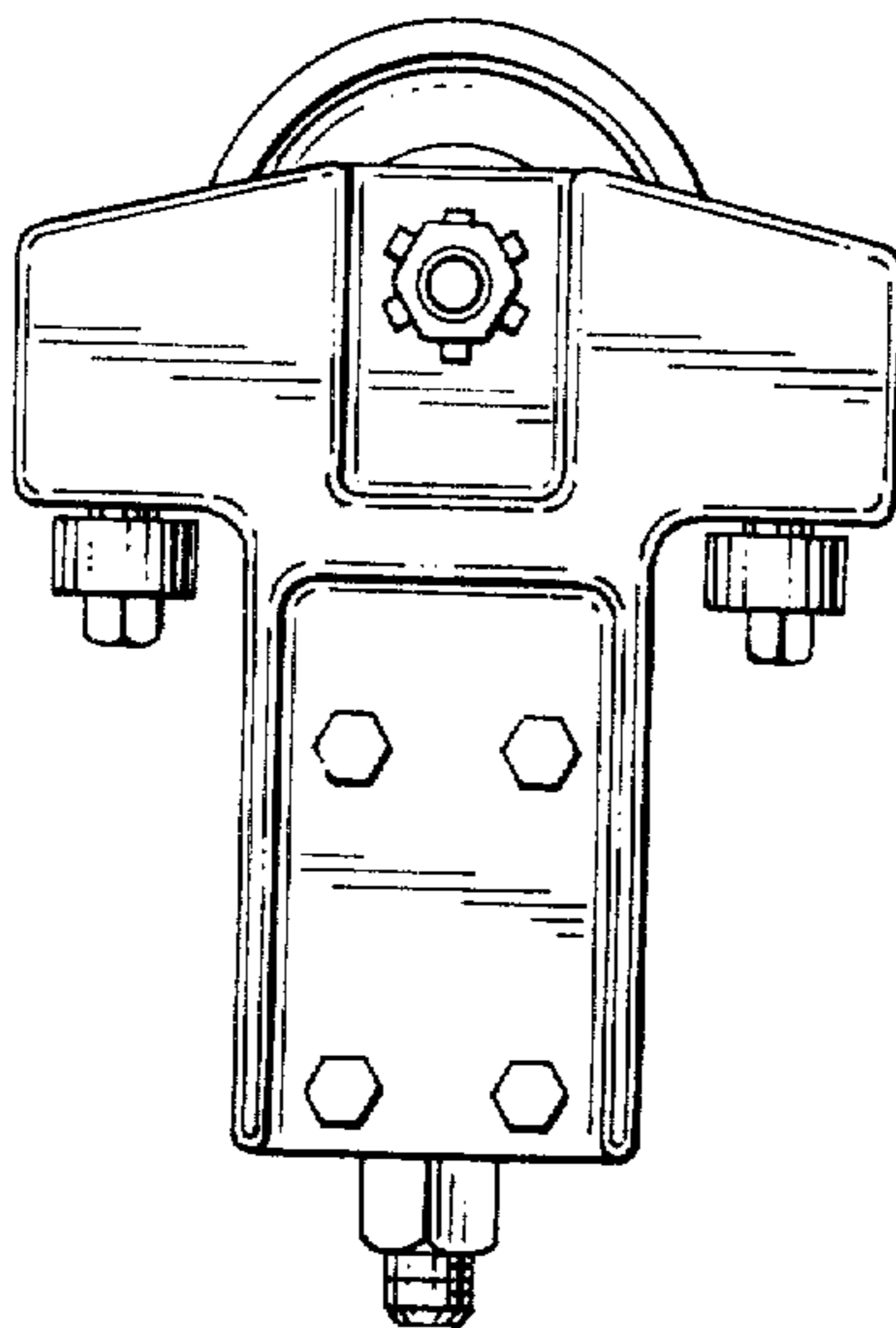


FIG. 2

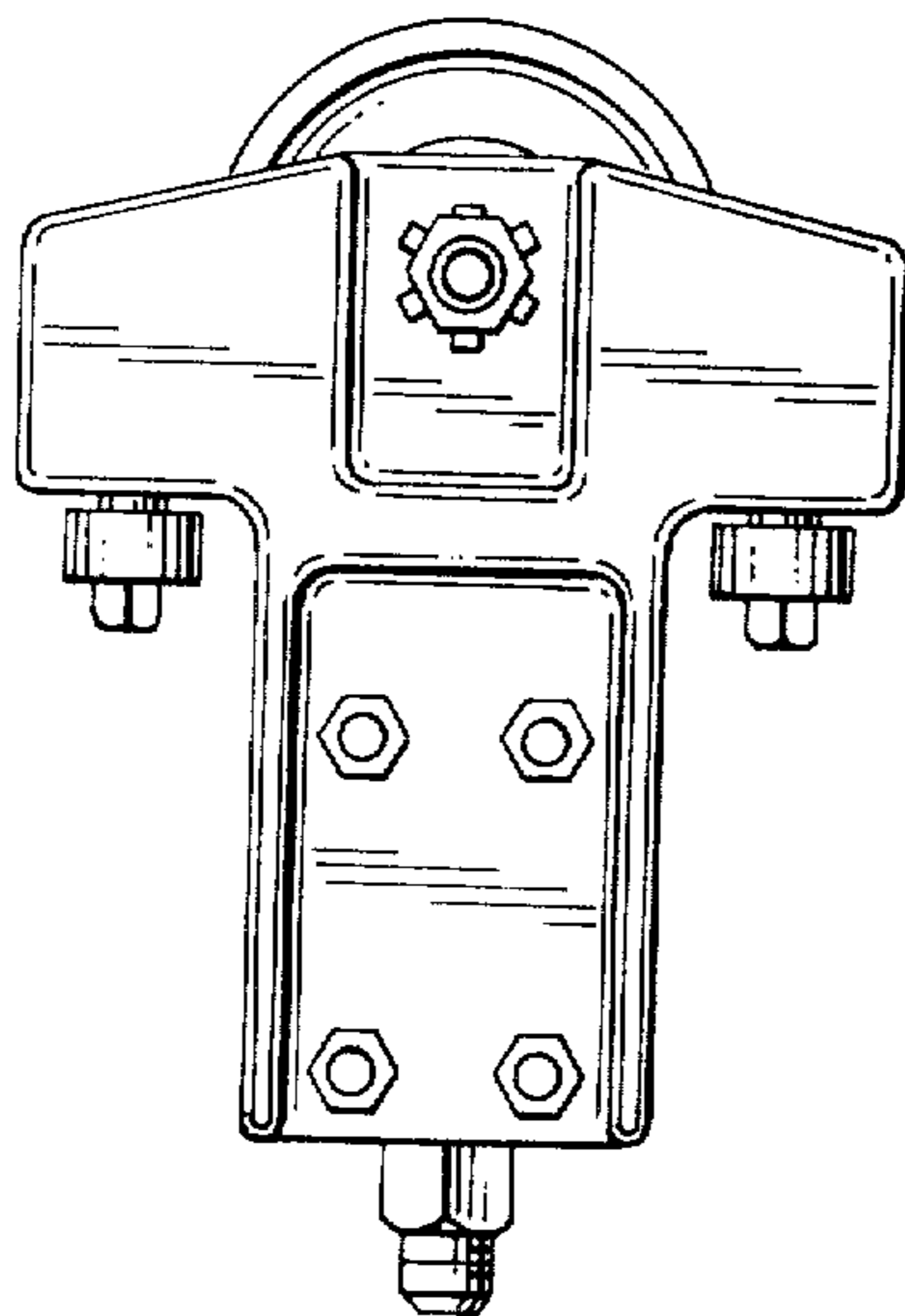


FIG. 3

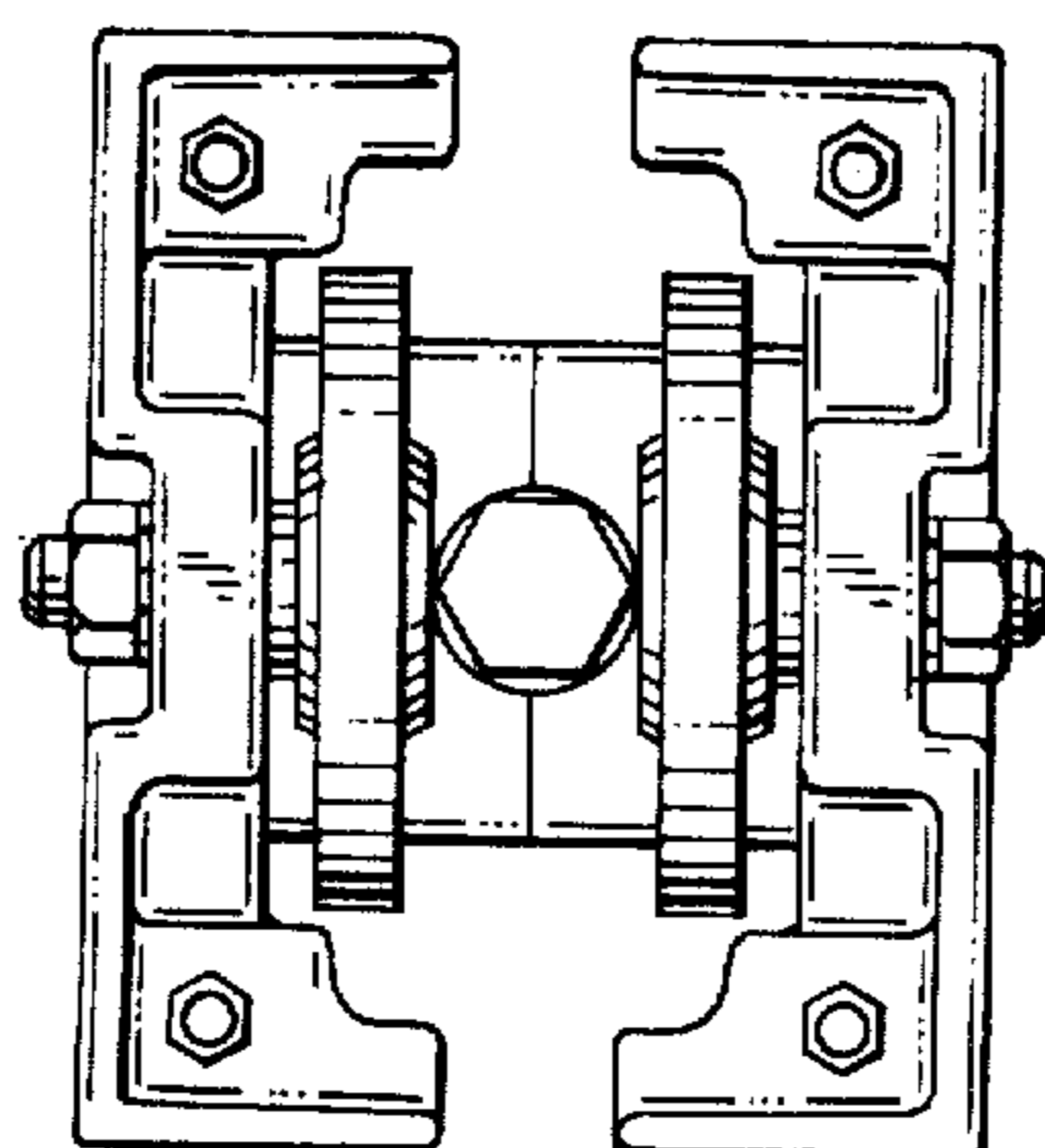


FIG. 4

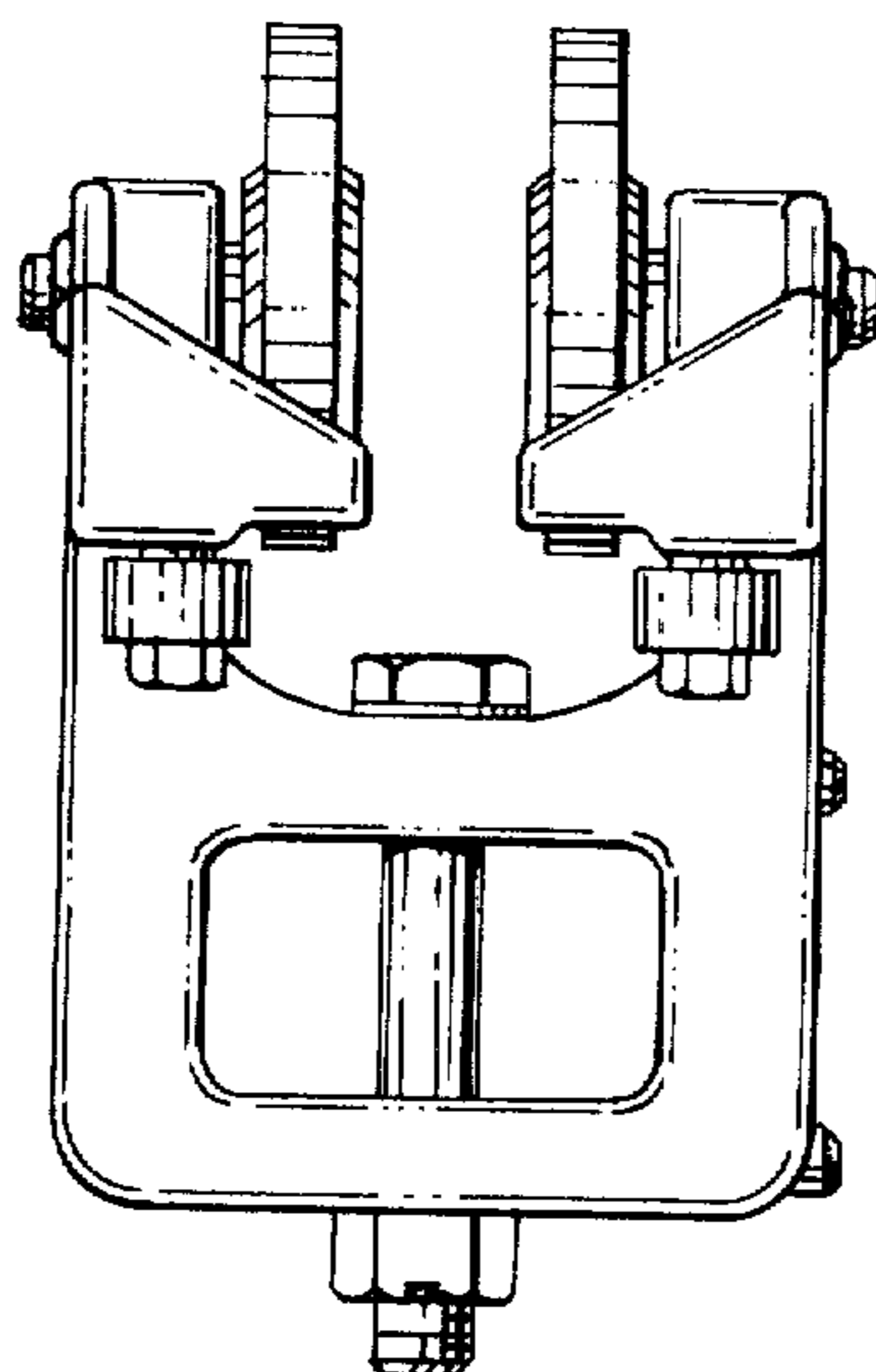


FIG. 5

