

[54] **ARMORED TRUCK**

[75] Inventor: **Russell H. Harding**, Westport, Conn.

[73] Assignee: **Brink's Incorporated**, Darien, Conn.

[\*\*] Term: **14 Years**

[21] Appl. No.: **17,384**

[22] Filed: **Mar. 5, 1979**

[51] Int. Cl. .... **D12-13**

[52] U.S. Cl. .... **D12/12; D12/89; D12/99**

[58] Field of Search ..... **D12/12, 89, 99, 100; 89/36 F, 36 H, 40 B**

[56] **References Cited**

**U.S. PATENT DOCUMENTS**

- |            |         |        |       |        |
|------------|---------|--------|-------|--------|
| D. 219,139 | 11/1970 | Bauer  | ..... | D12/12 |
| D. 253,587 | 12/1979 | Bemiss | ..... | D12/12 |

**OTHER PUBLICATIONS**

Mobile Home & Recreational Vehicle Dealer, 7/20/71, p. 135, Discoverer 25, bottom left side of page.

*Primary Examiner*—James M. Gandy

*Attorney, Agent, or Firm*—Robert K. Youtie

[57] **CLAIM**

The ornamental design for an armored truck, as shown.

**DESCRIPTION**

FIG. 1 is a front perspective view of an armored truck showing my new design.

FIG. 2 is a left side elevational view thereof on a reduced scale, the right side being a mirror image of the left side shown herein.

FIG. 3 is a front elevational view thereof on a reduced scale.

FIG. 4 is a rear elevational view thereof on a reduced scale.

FIG. 5 is a top plan view thereof on a reduced scale.

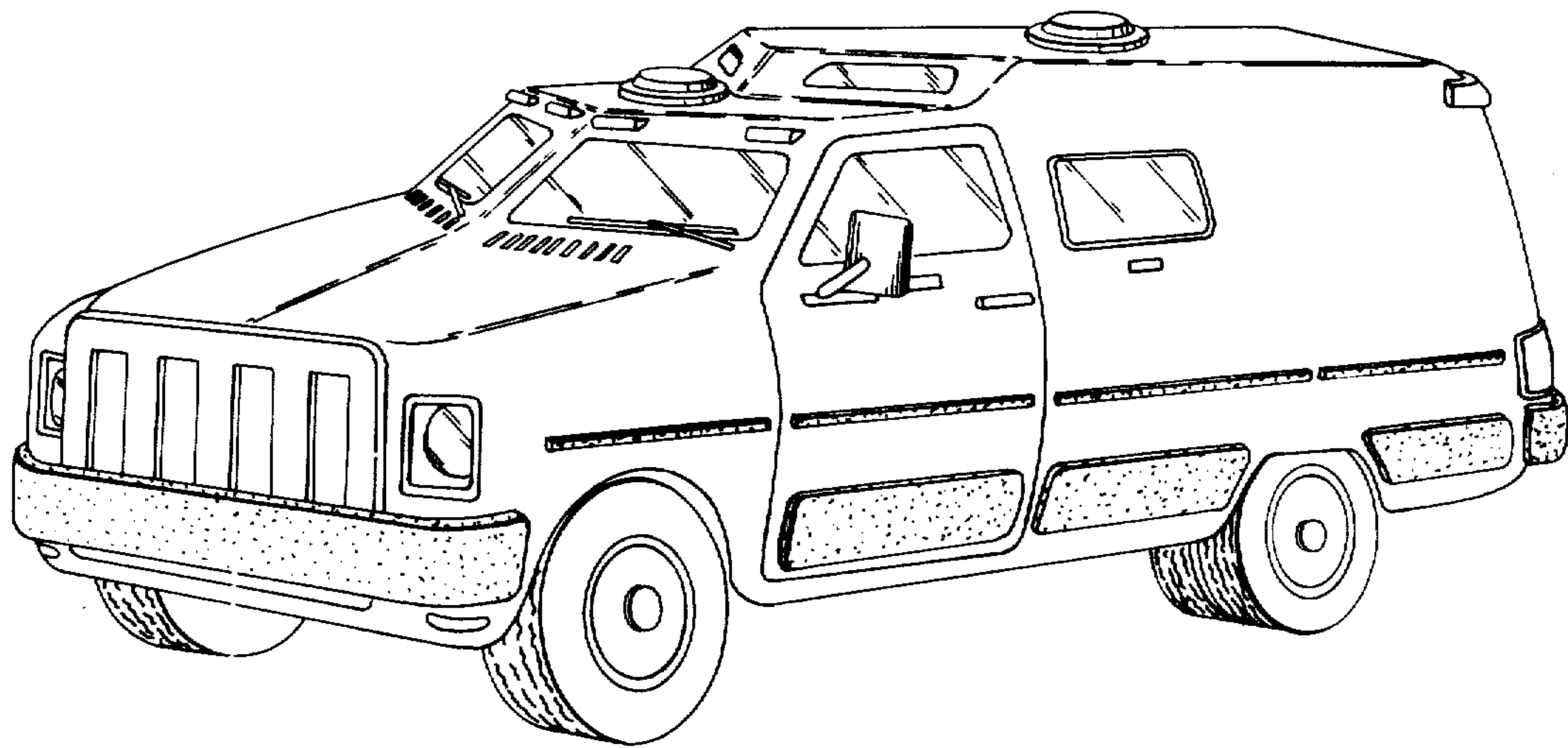
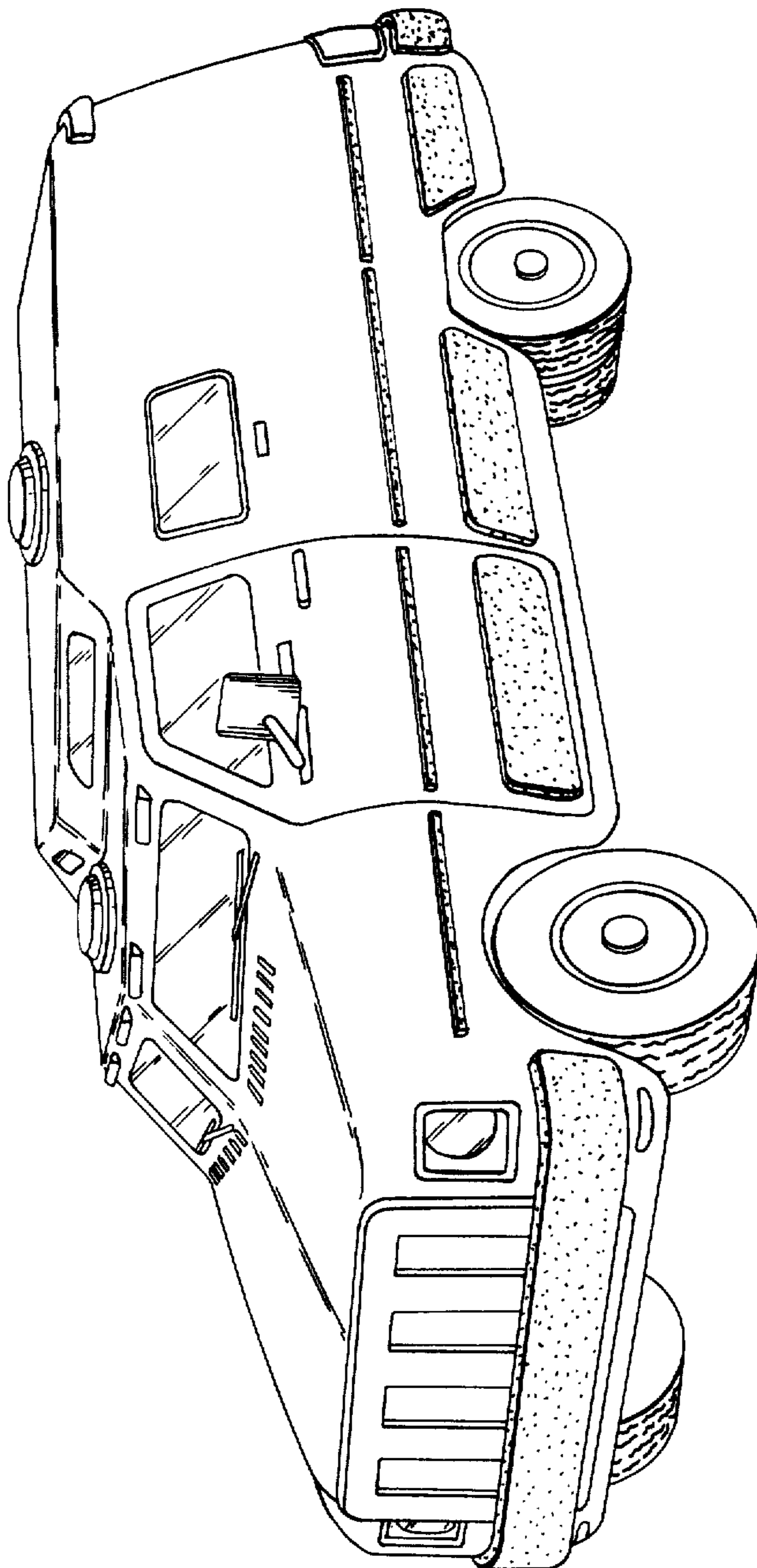
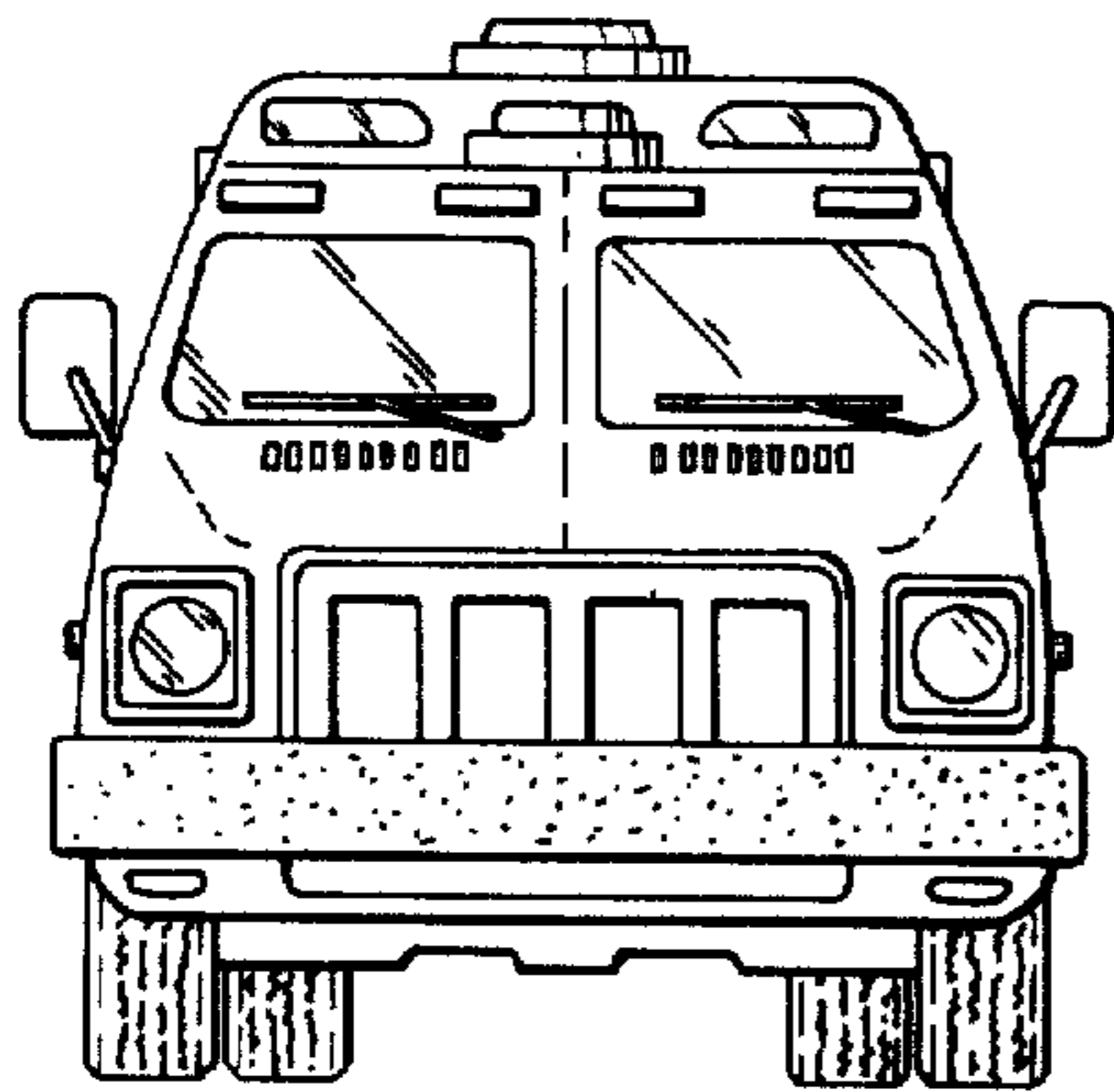
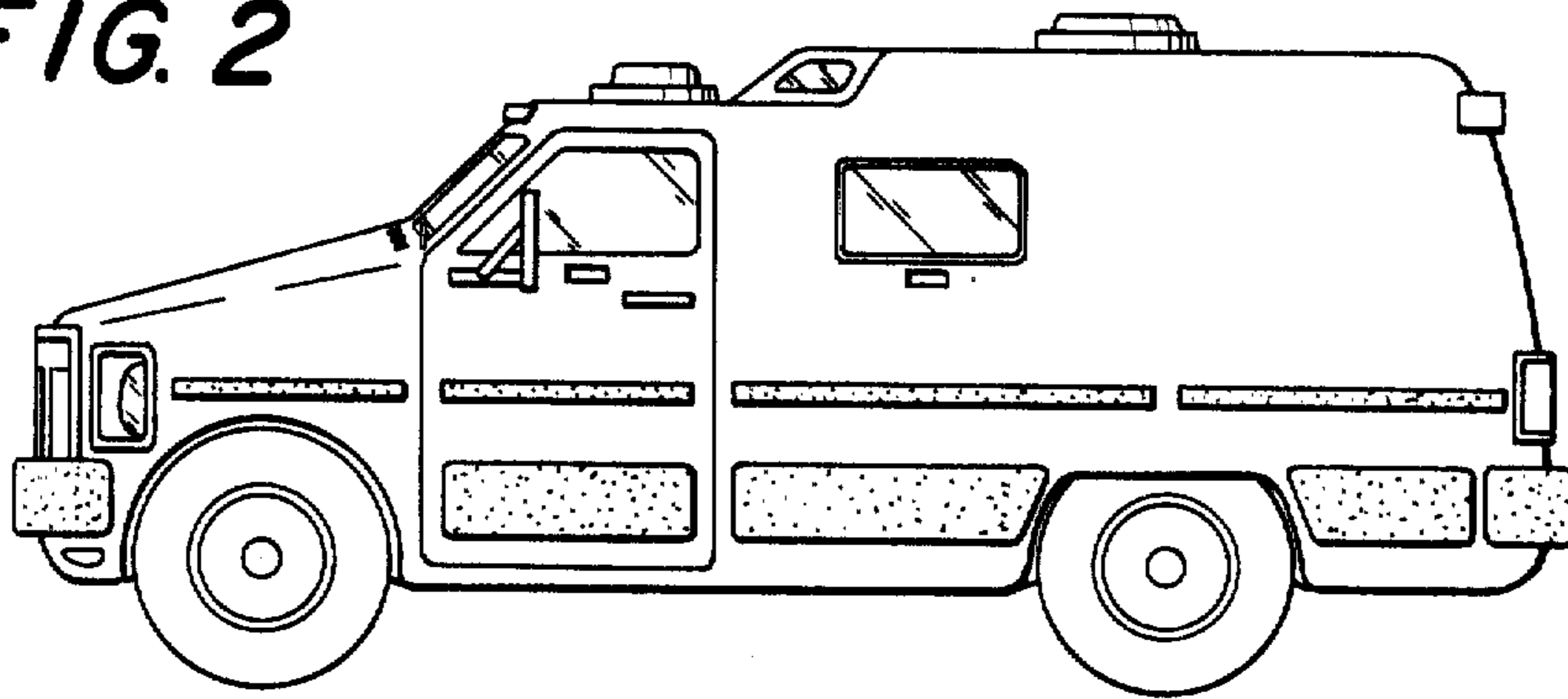


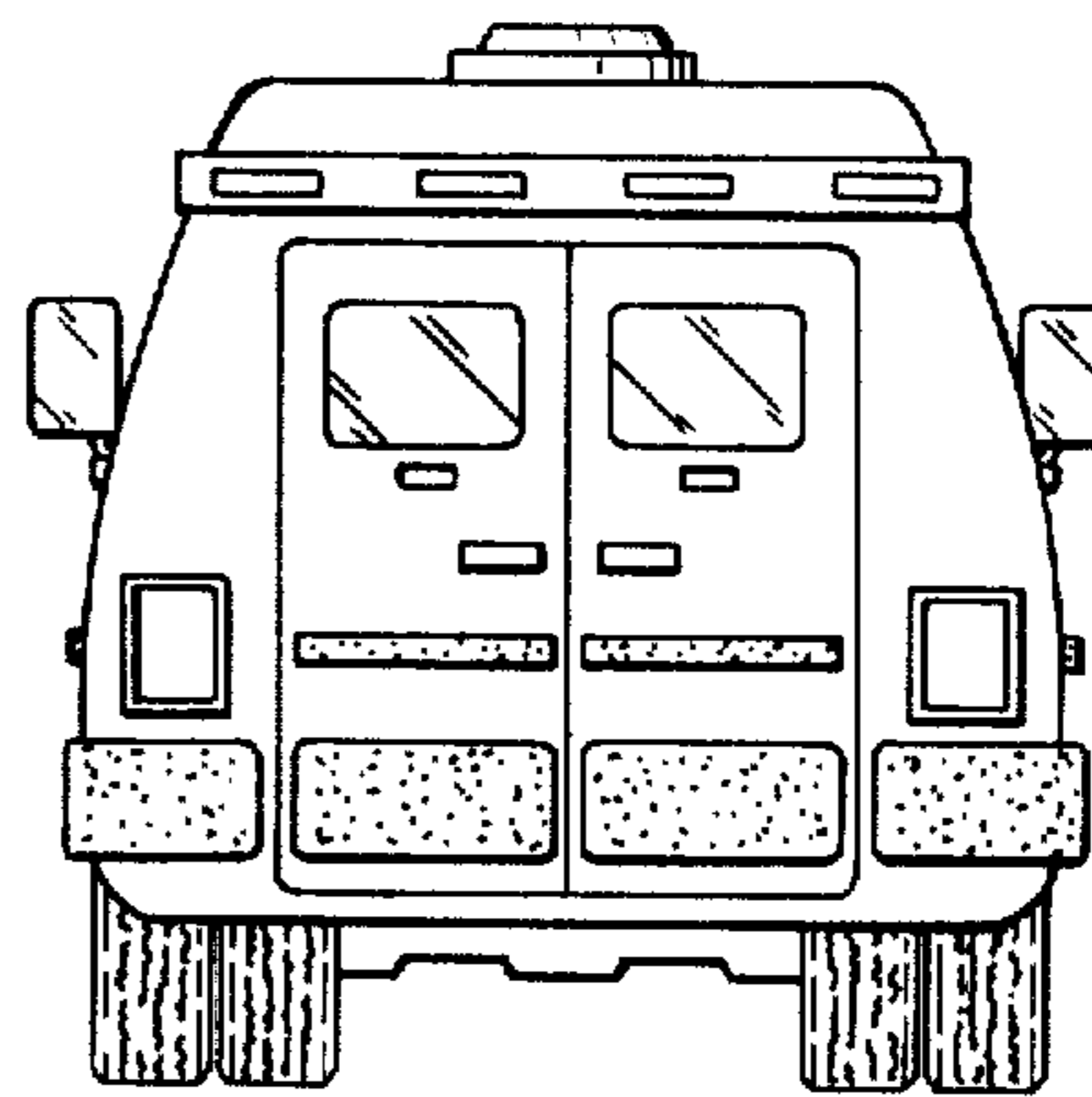
FIG. 1



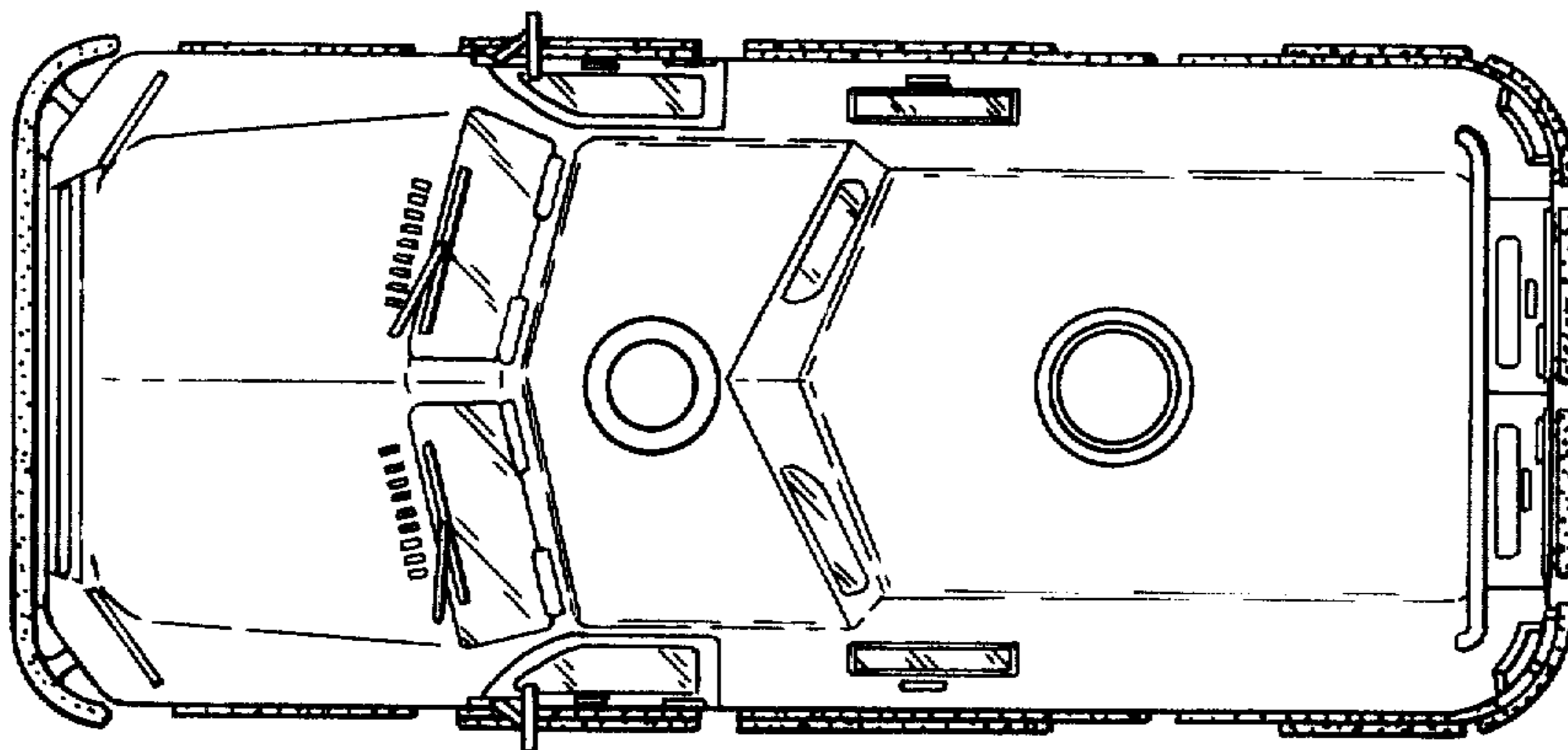
**FIG. 2**



**FIG. 3**



**FIG. 4**



**FIG. 5**