

[54] HANDLE LOOP FOR LUGGAGE OR THE LIKE

[75] Inventor: Joseph Y. Pelavin, North Bergen, N.J.

[73] Assignee: CPG Products Corp., Minneapolis, Minn.

[**] Term: 14 Years

[21] Appl. No.: 41,442

[22] Filed: May 21, 1979

[51] Int. Cl. D8-06
[52] U.S. Cl. D8/321; D8/306
[58] Field of Search D8/300, 301, 302, 305-308, D8/310-312, 315-320, 321; 16/110 R, 111 R, 115, 121; 190/57, 58 R, 58 A, 58 B, 59, 60; 50/12, 33

[56] References Cited

U.S. PATENT DOCUMENTS

D. 122,030	8/1940	Plotkin	D8/306
D. 124,803	1/1941	Levine	D8/321
D. 128,395	7/1941	Kates	D8/321
D. 158,874	6/1950	Levine	D8/306
D. 188,405	7/1960	Levine	D8/321

Primary Examiner—B. J. Bullock
Attorney, Agent, or Firm—L. MeRoy Lillehaugen; G. O. Enockson

[57] CLAIM

The ornamental design for a handle loop for luggage or the like, substantially as shown.

DESCRIPTION

FIG. 1 is a perspective view of a handle loop for luggage or the like showing my new design;
FIG. 2 is a front elevational view thereof, with the elongated pin omitted for ease of illustration;
FIG. 3 is a top plan view of FIG. 2;
FIG. 4 is a rear elevational view of FIG. 2;
FIG. 5 is a side elevational view taken from the left of FIG. 2, the side opposite being a mirror image thereof;
FIG. 6 is a bottom plan view thereof.

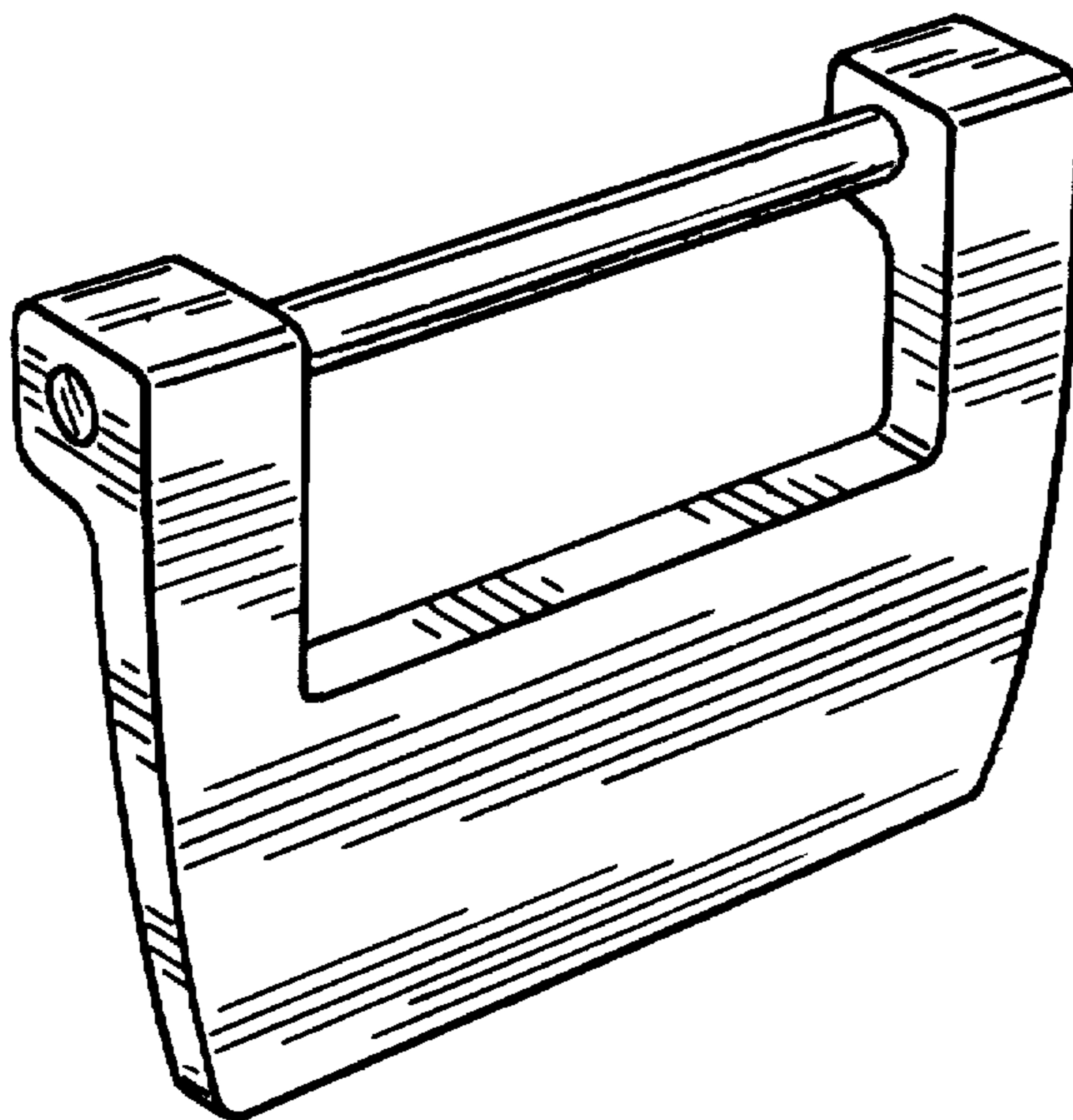


FIG. 1

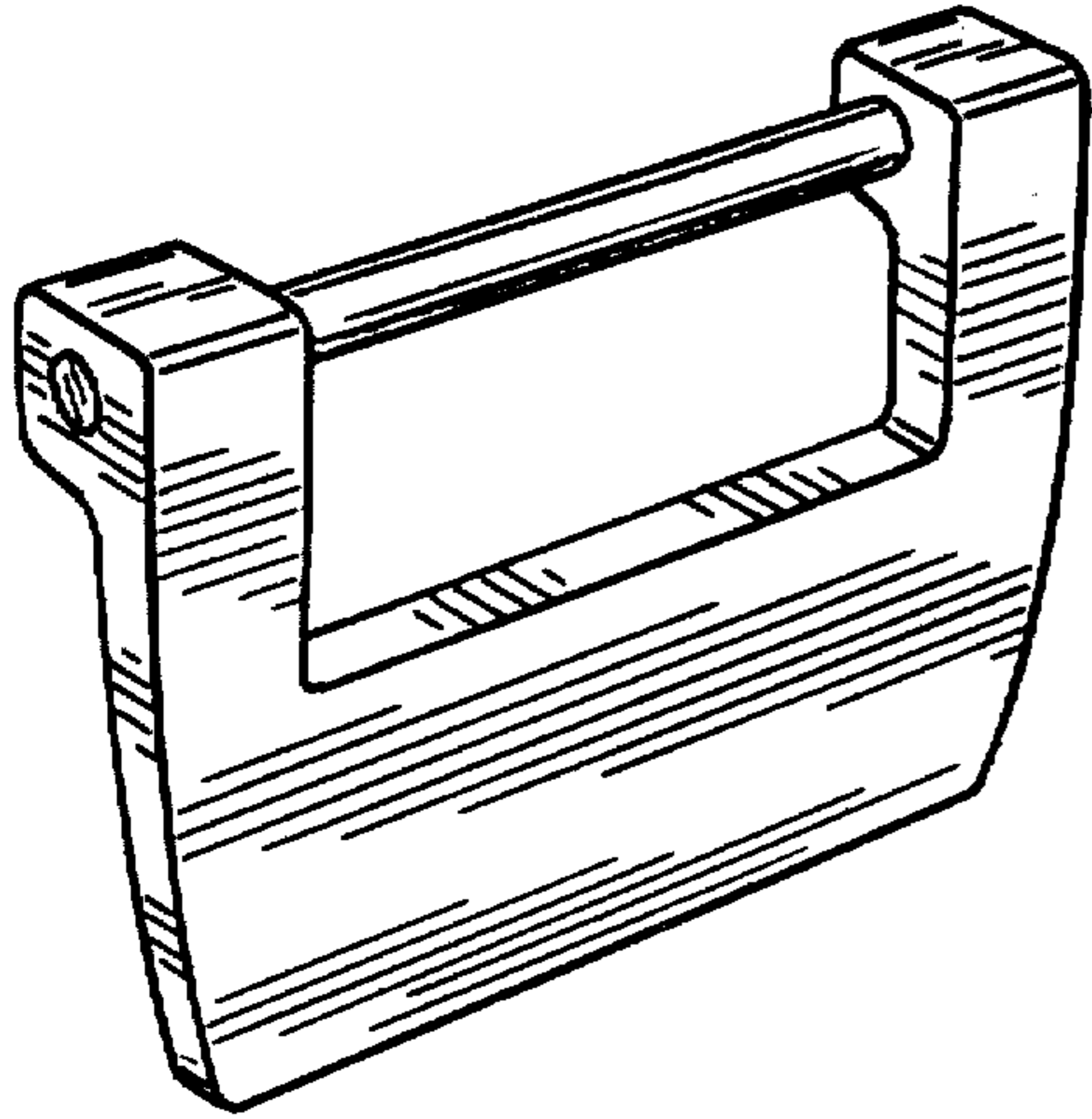


FIG. 3

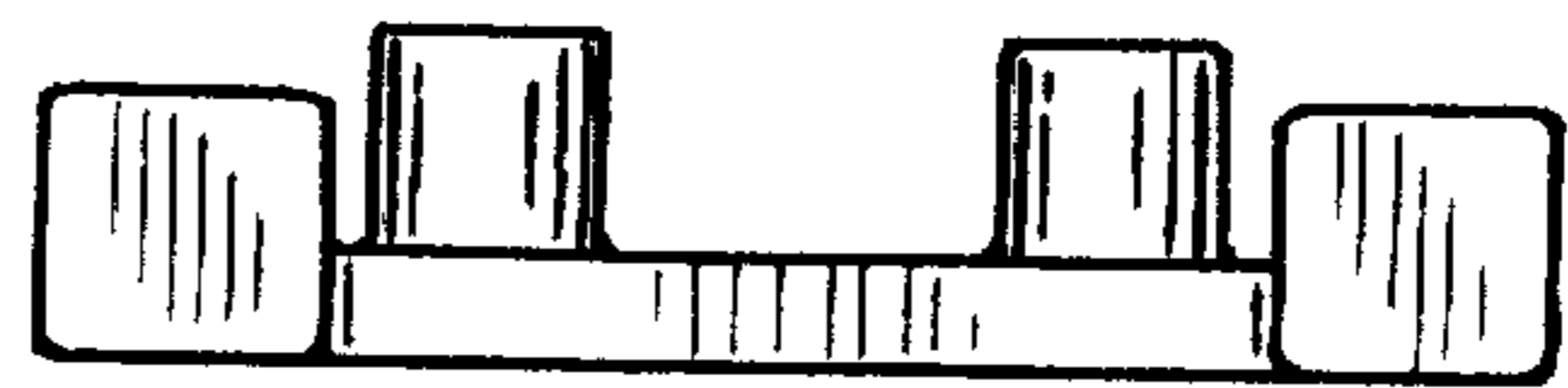


FIG. 2

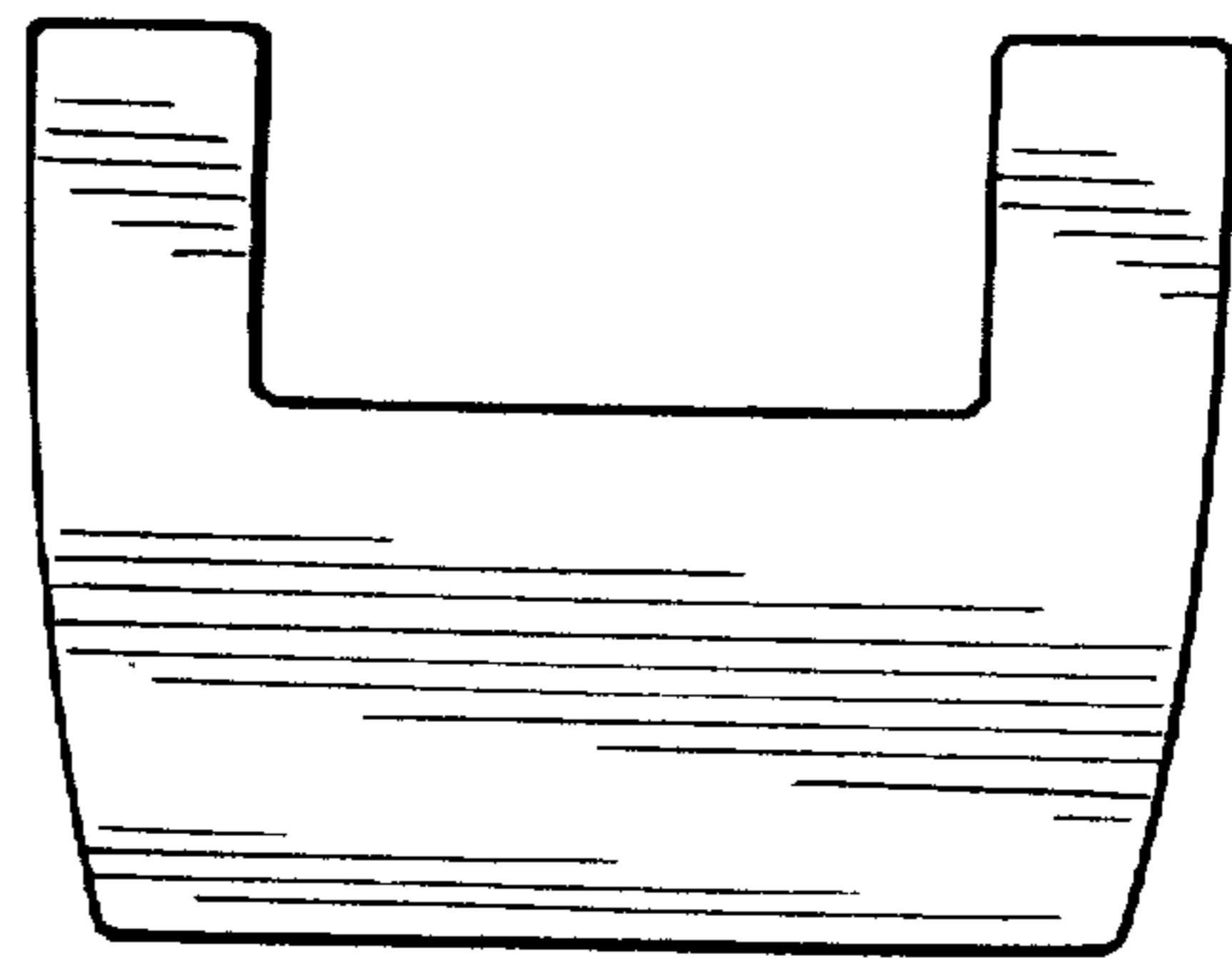


FIG. 5

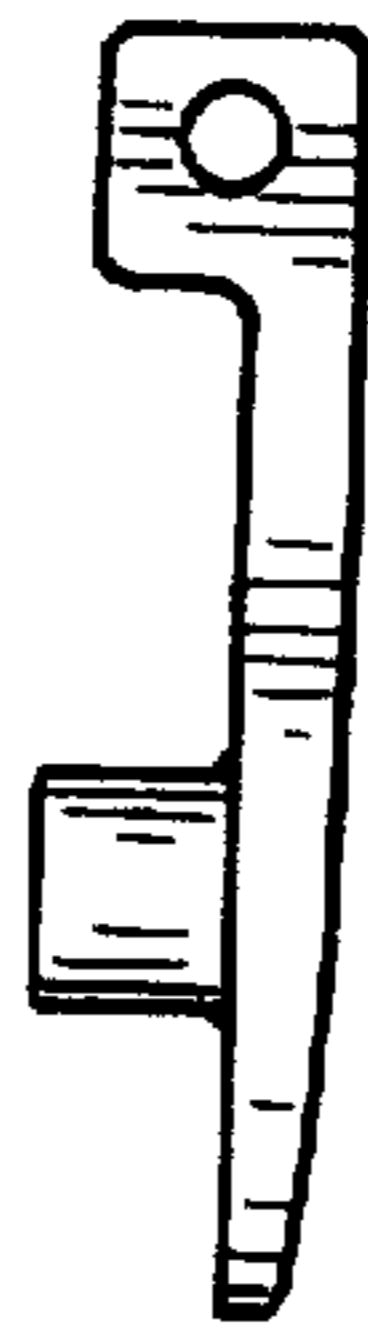


FIG. 4

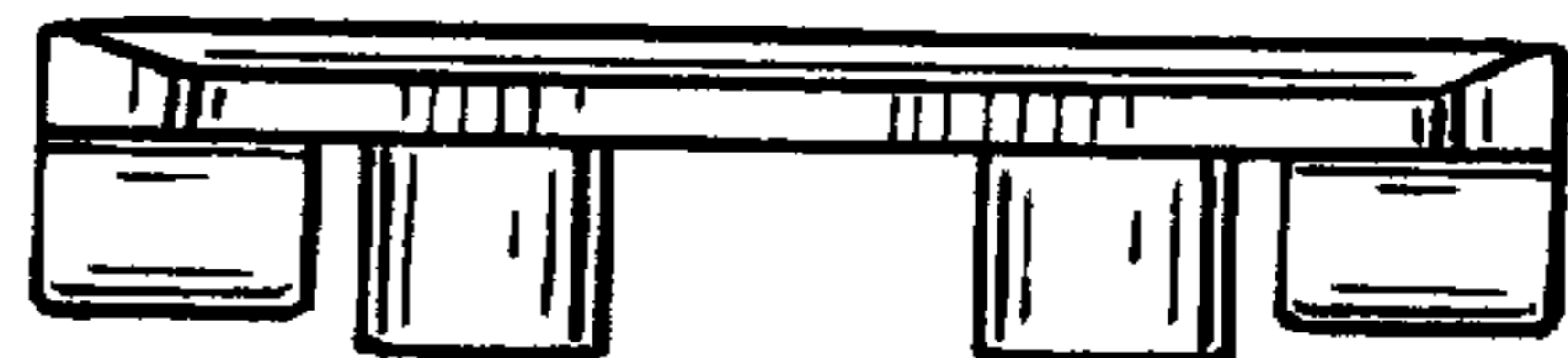
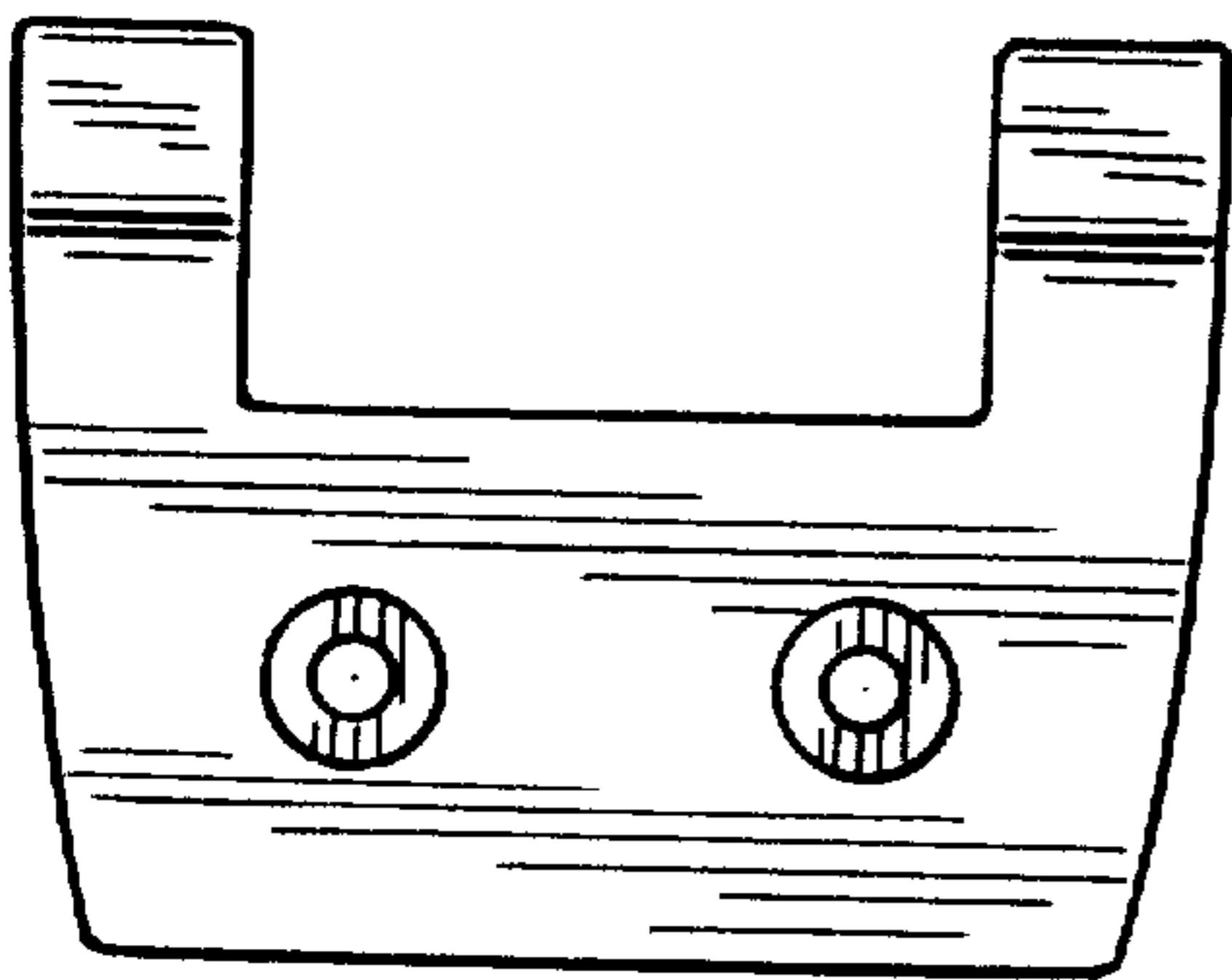


FIG. 6