

[54] SPRING COMPRESSOR

[75] Inventors: Mark A. Steck, Miamisburg; George L. Steck, West Carrollton, both of Ohio

[73] Assignee: Steck Manufacturing Co., Inc., Dayton, Ohio

[\*\*] Term: 14 Years

[21] Appl. No.: 24,588

[22] Filed: Mar. 28, 1979

[51] Int. Cl. .... D8-05

[52] U.S. Cl. .... D8/72; D8/52; D8/395

[58] Field of Search .... D8/52, 72, 395; 24/248 SA; D12/155, 159; 254/10.5, 54, 66, 67; 269/221, 223

[56] References Cited

U.S. PATENT DOCUMENTS

3,736,629	6/1973	Blake .....	D8/72 X
3,764,107	10/1973	Mlynarczyk .....	254/10.5
3,912,224	10/1975	Castoe .....	254/10.5

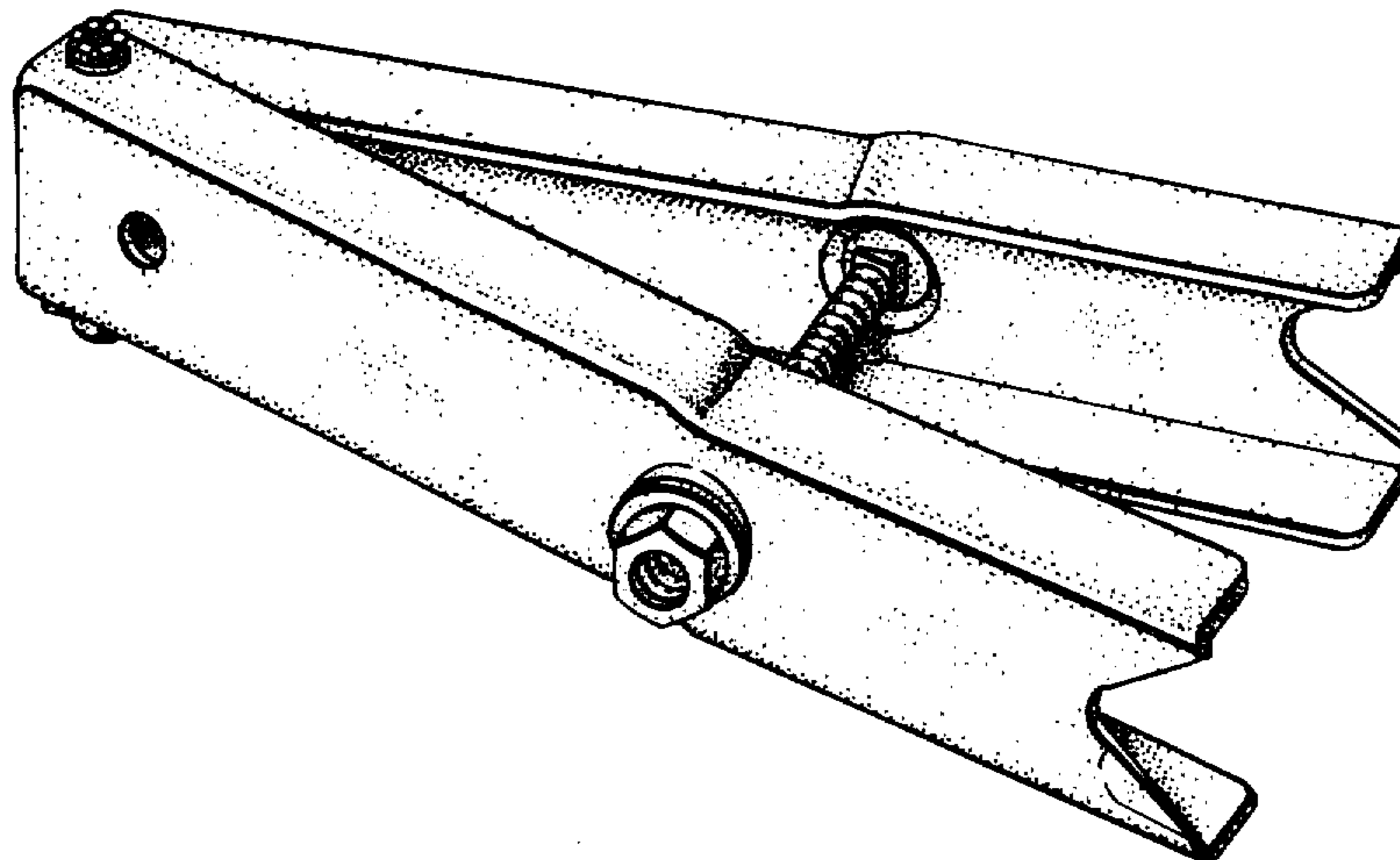
Primary Examiner—A. Hugo Word  
Attorney, Agent, or Firm—Dybvig & Dybvig

[57] CLAIM

The ornamental design for a spring compressor, as shown.

DESCRIPTION

FIG. 1 is a perspective view of the spring compressor. FIG. 2 is a top plan view of the spring compressor. FIG. 3 is an elevational view of one side of the spring compressor. FIG. 4 is an elevational view of the opposite side of the spring compressor. FIG. 5 is an elevational view of one end of the spring compressor. FIG. 6 is an elevational view of the opposite end of the spring compressor.



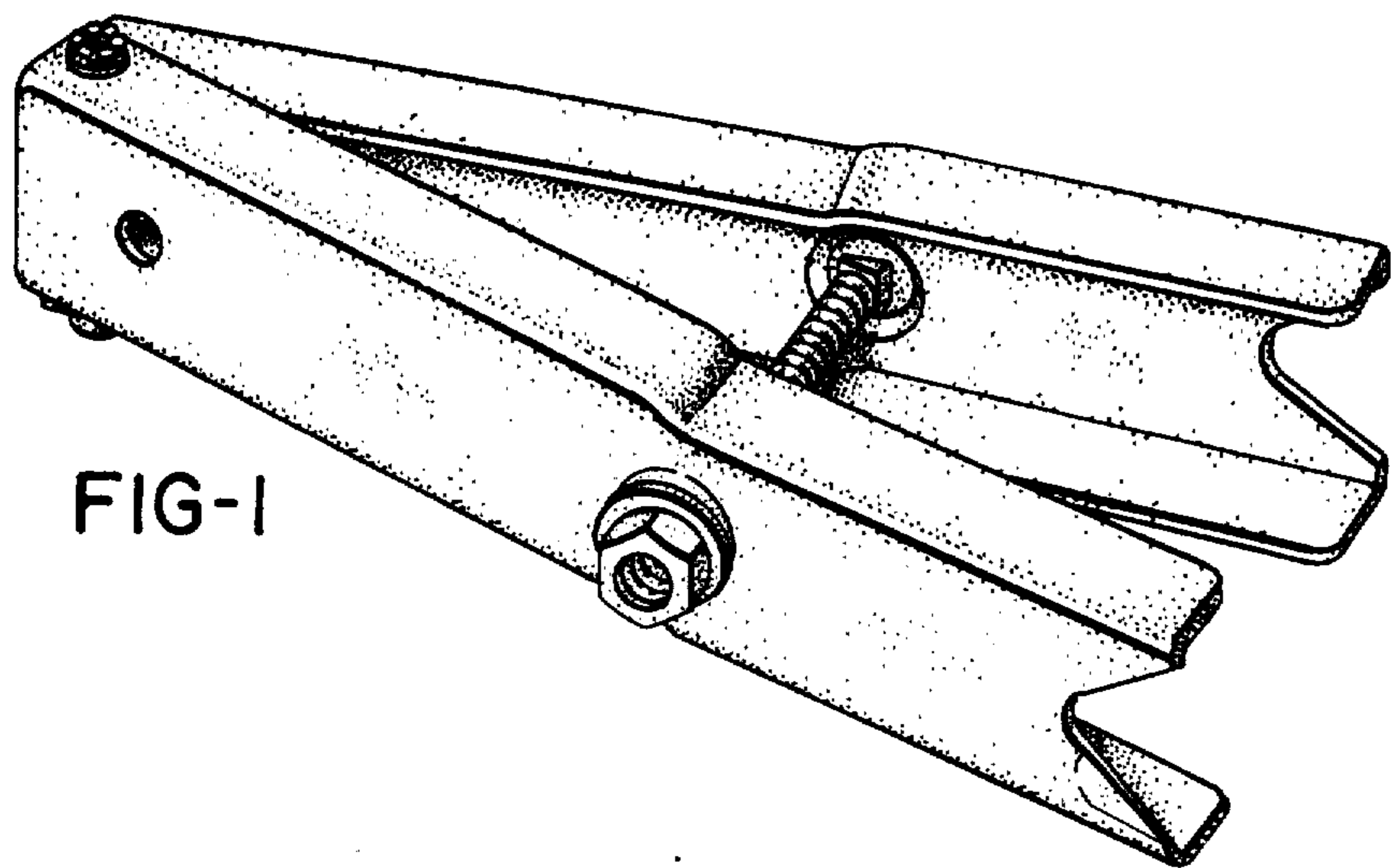


FIG-1

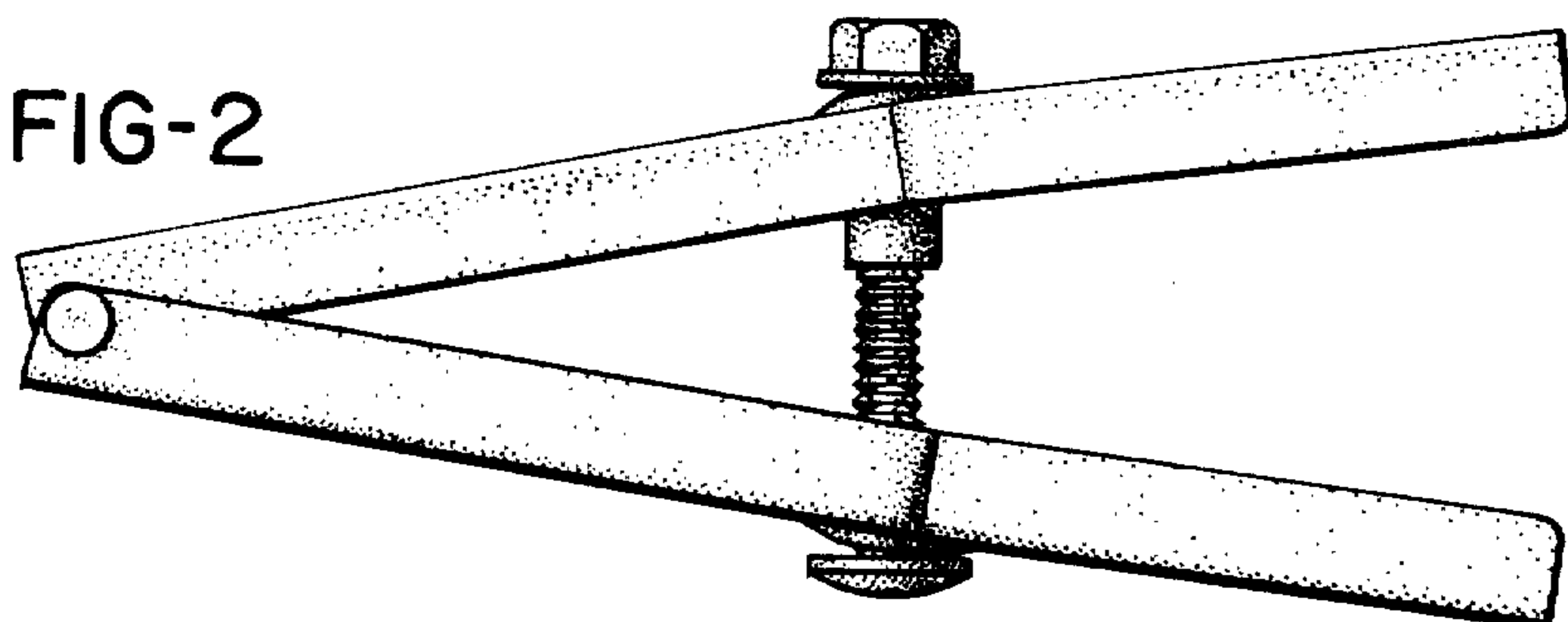


FIG-2

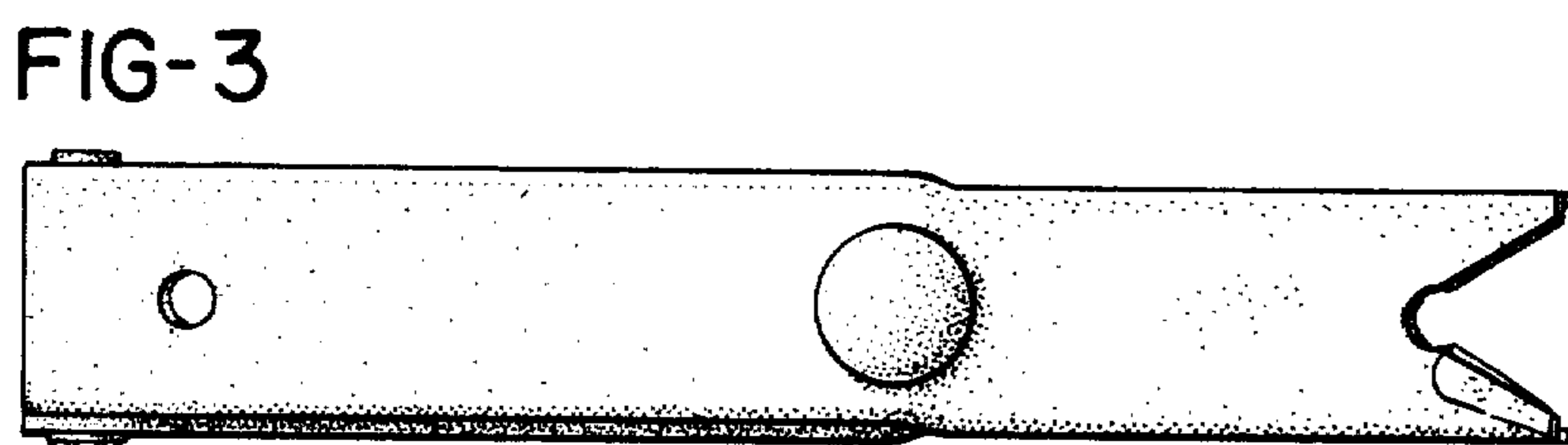


FIG-3

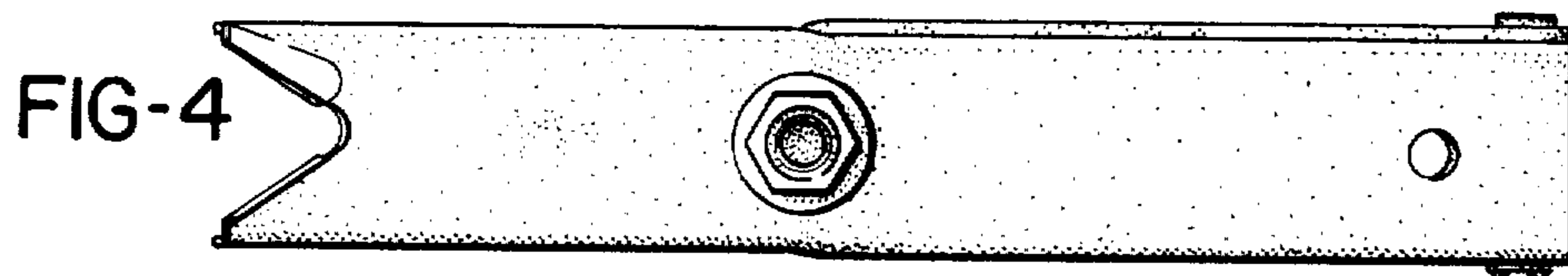


FIG-4

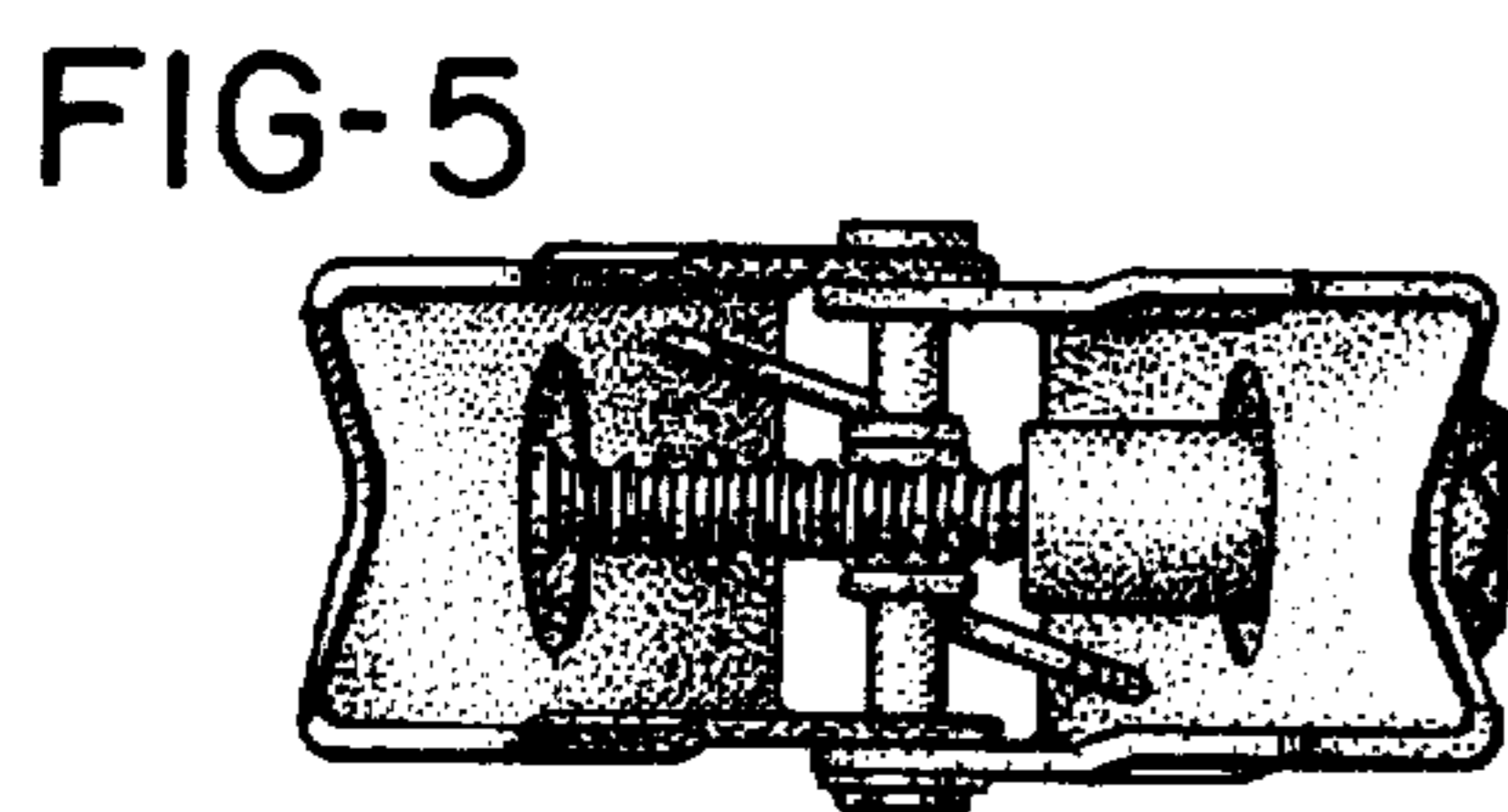


FIG-5

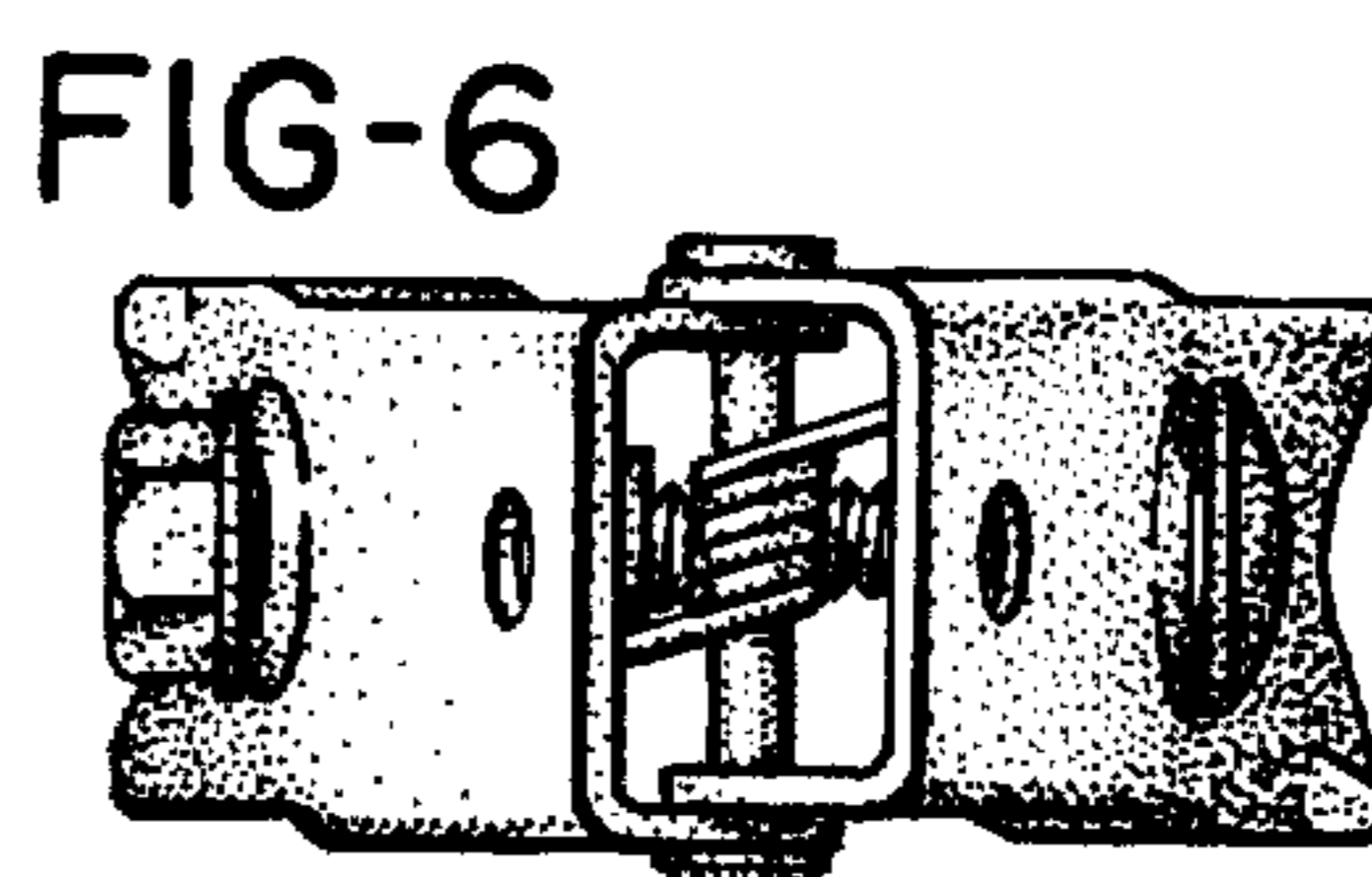


FIG-6