

[54] **CHOPSTICK HOLDER**

[76] Inventor: **Noel A. Fahy**, 9 Borgnis St.,
 Davidson, New South Wales 2085,
 Australia

[**] Term: **14 Years**

[21] Appl. No.: **68,264**

[22] Filed: **Aug. 20, 1979**

[30] **Foreign Application Priority Data**

Feb. 23, 1979 [AU] Australia 77159

[51] Int. Cl. **D07-03**

[52] U.S. Cl. **D7/152; D7/105**

[58] Field of Search **D7/148, 152, 105, 99;**
294/16, 33, 99 R

[56] **References Cited**

U.S. PATENT DOCUMENTS

D. 233,398	10/1974	Lee	D7/105
3,239,262	3/1966	Rines et al.	D7/105 X
3,323,825	6/1967	Arima	294/16
3,637,248	1/1972	Arita	D7/105 X
4,199,180	4/1980	Kelly	294/33

FOREIGN PATENT DOCUMENTS

2551501 10/1977 Fed. Rep. of Germany 294/33

Primary Examiner—Winifred E. Herrmann
Attorney, Agent, or Firm—Beveridge, DeGrandi, Kline
 & Lunsford

[57] **CLAIM**

The ornamental design for a chopstick holder, as shown
 and described.

DESCRIPTION

FIG. 1 is a perspective view of a chopstick holder
 showing my new design,
 FIG. 2 is a front elevational view thereof,
 FIG. 3 is a top view thereof,
 FIG. 4 is a right side elevational view thereof with the
 article rotated 90° from the position shown in FIG. 1,
 FIG. 5 is a sectional view thereof as seen along the line
 5—5 in FIG. 3,
 FIG. 6 is a rear sectional view thereof, and
 FIG. 7 is a sectional view thereof as seen along the line
 7—7 in FIG. 2.
 The bottom and left side elevational views are substan-
 tially the same as the top view and right side view,
 respectively.

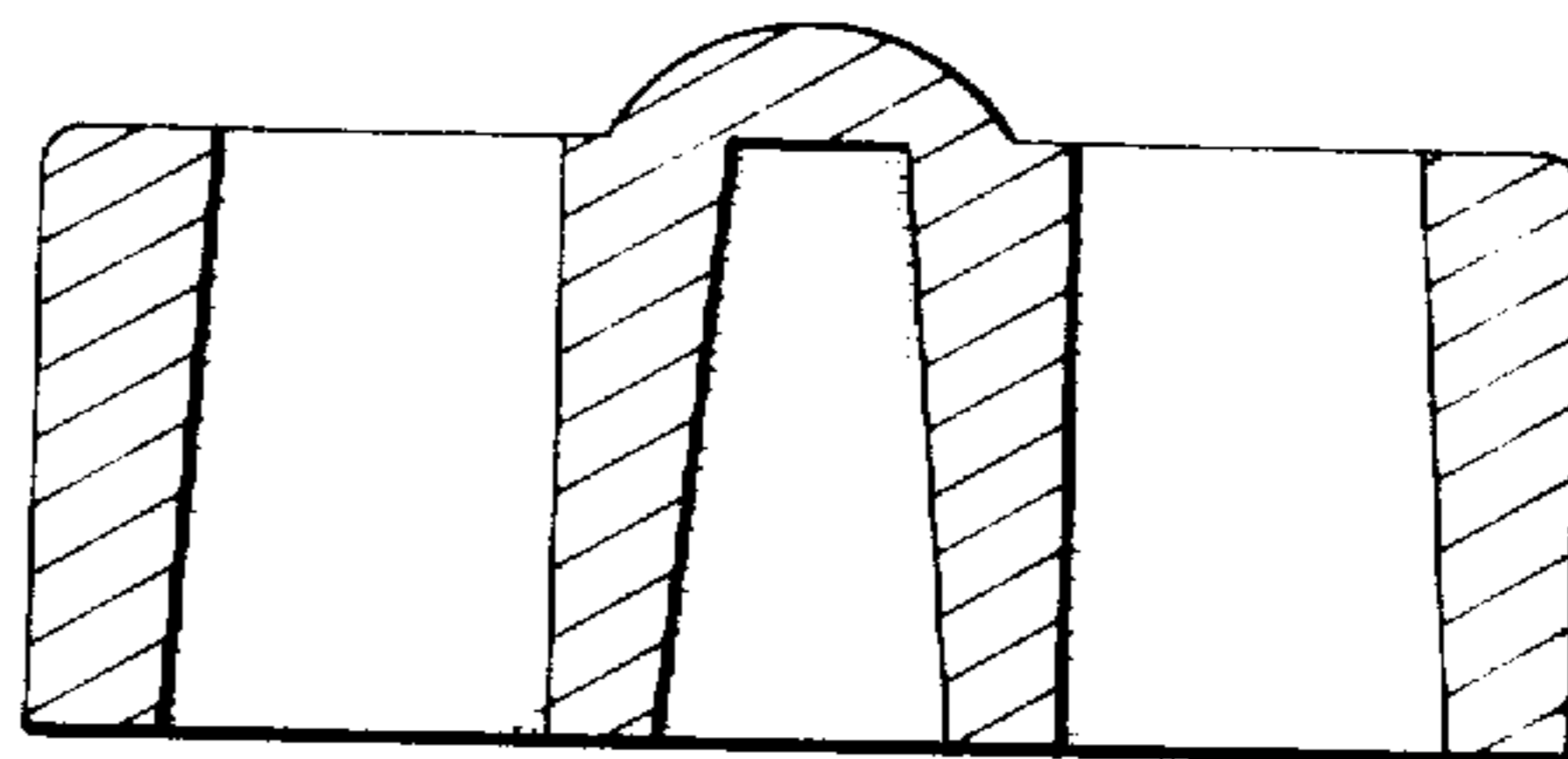
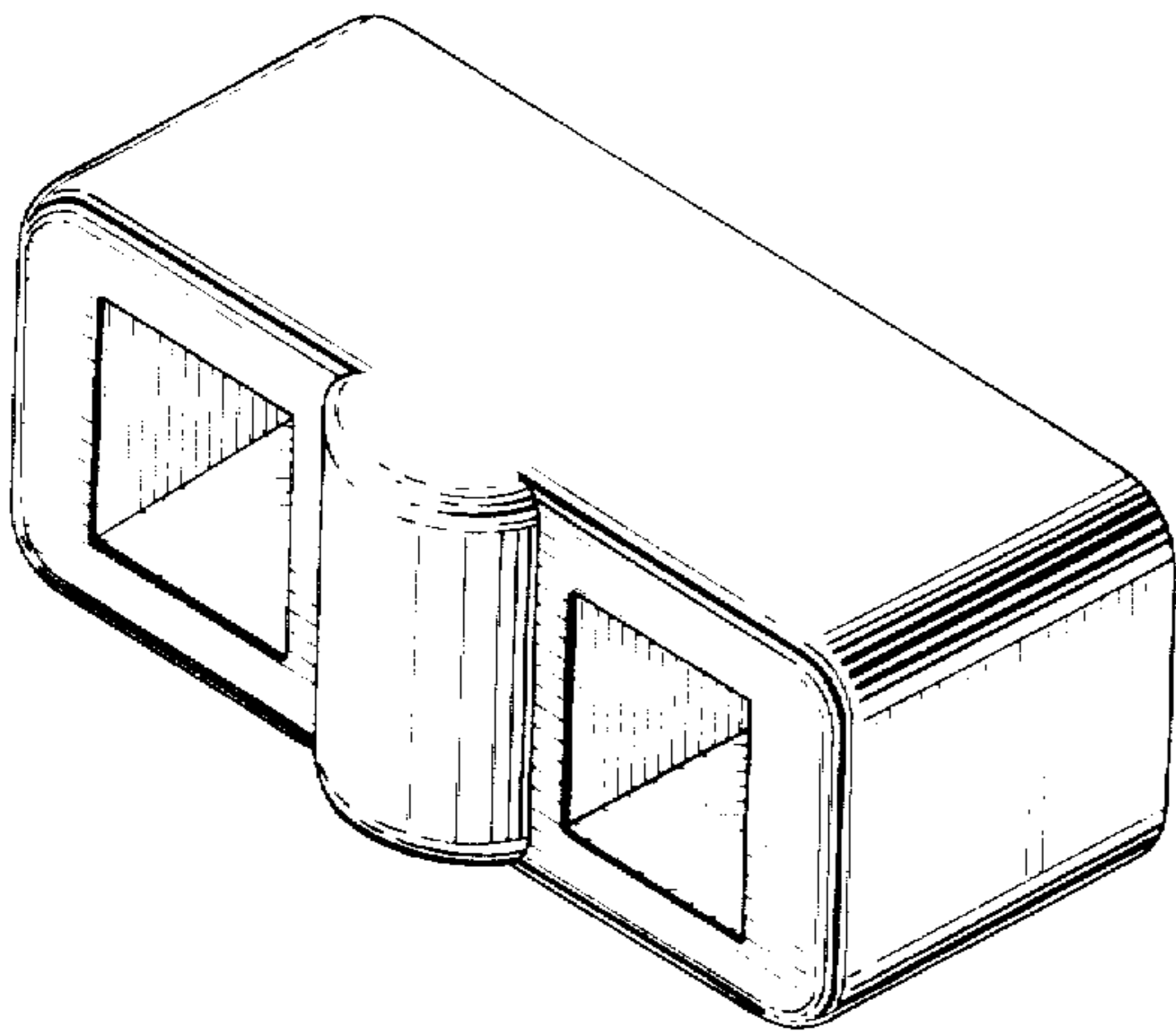


FIG. 1

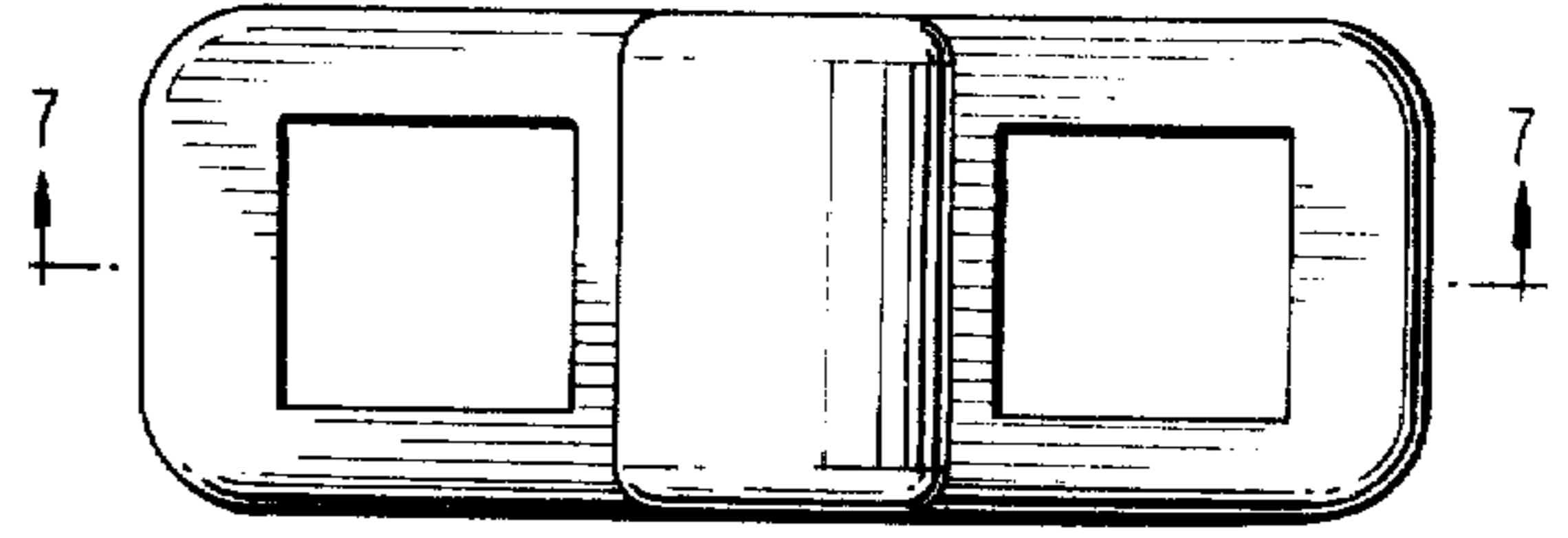
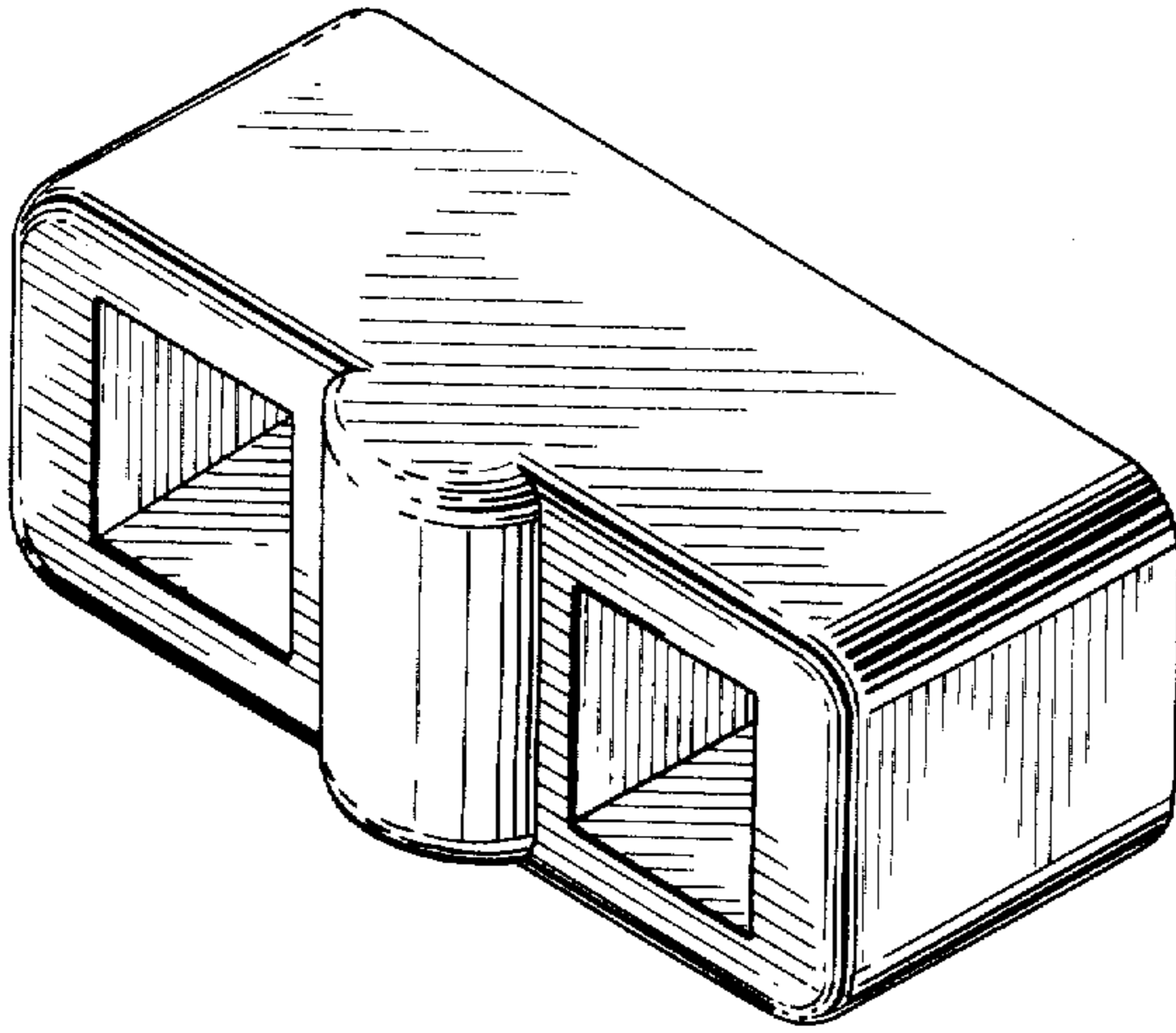


FIG. 2

FIG. 5

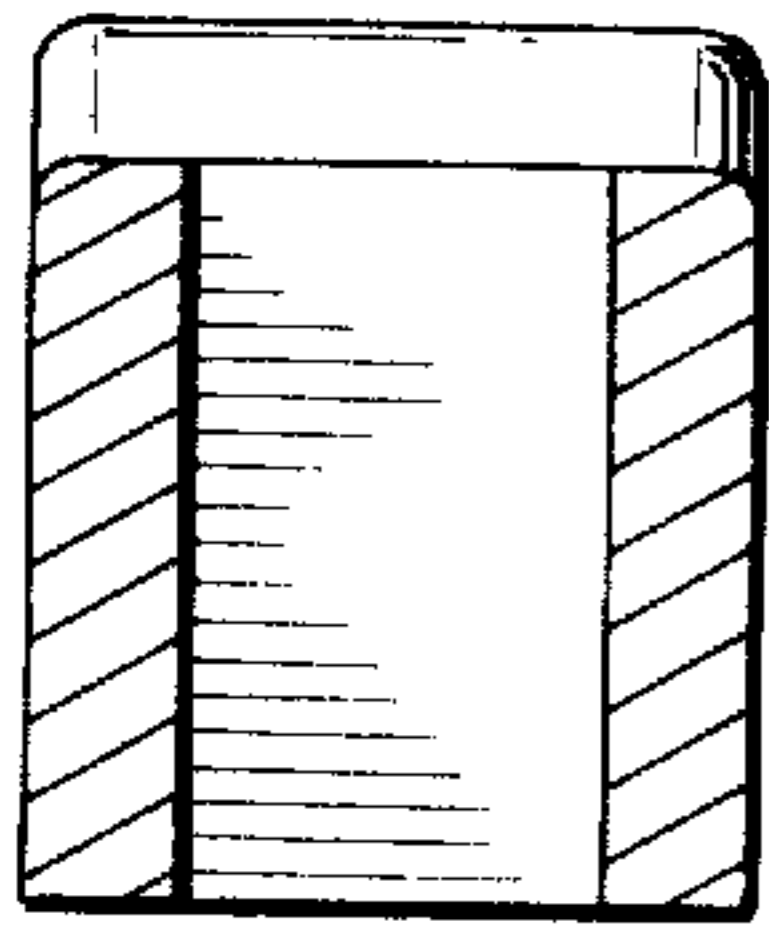


FIG. 3

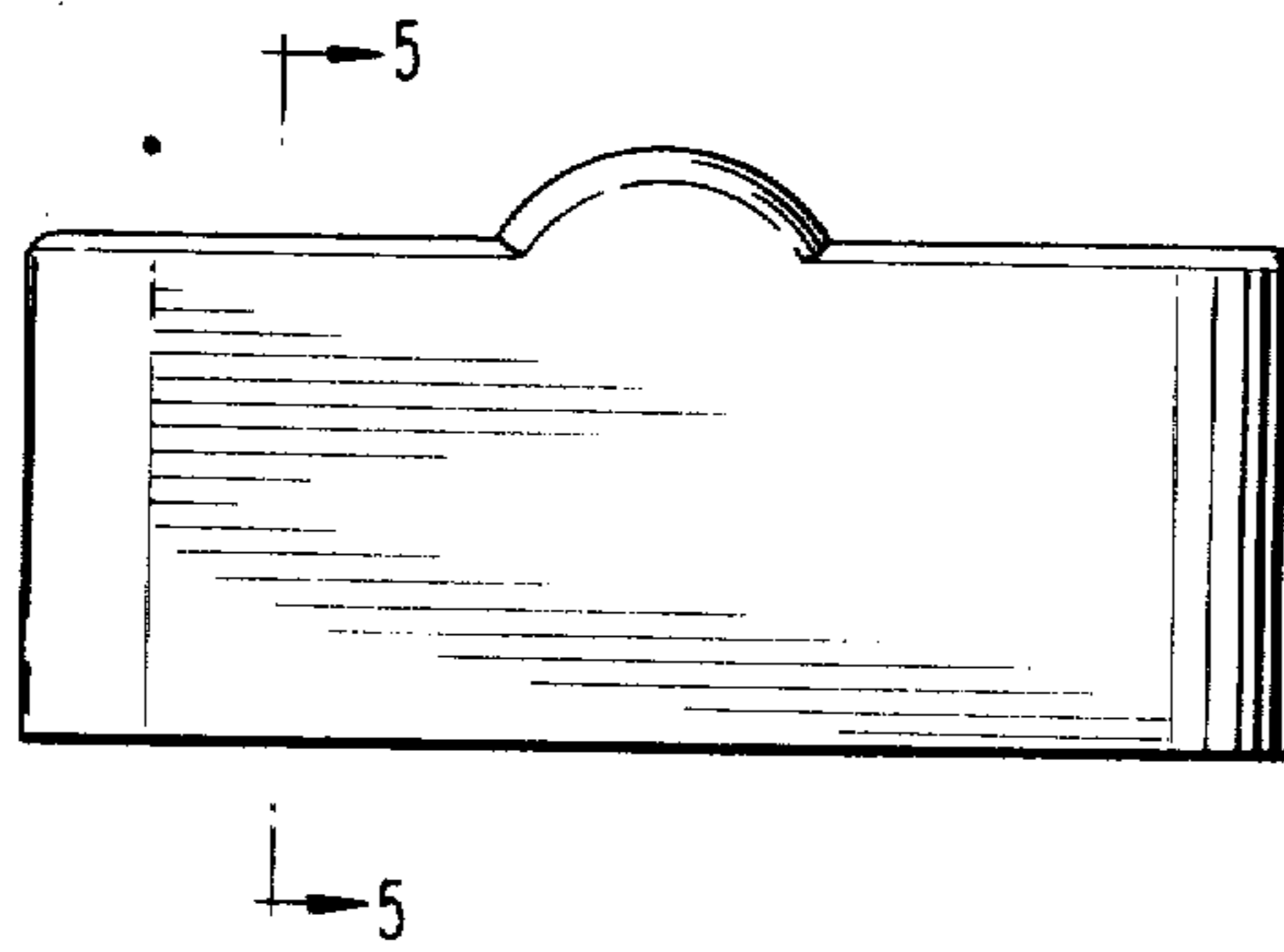


FIG. 4

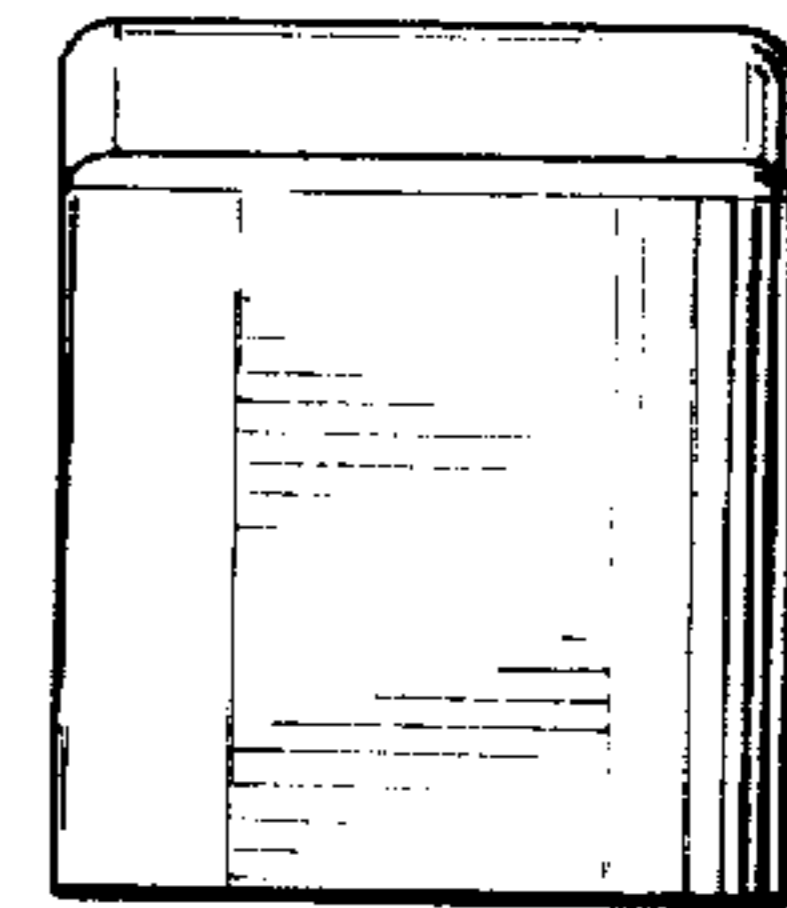


FIG. 6

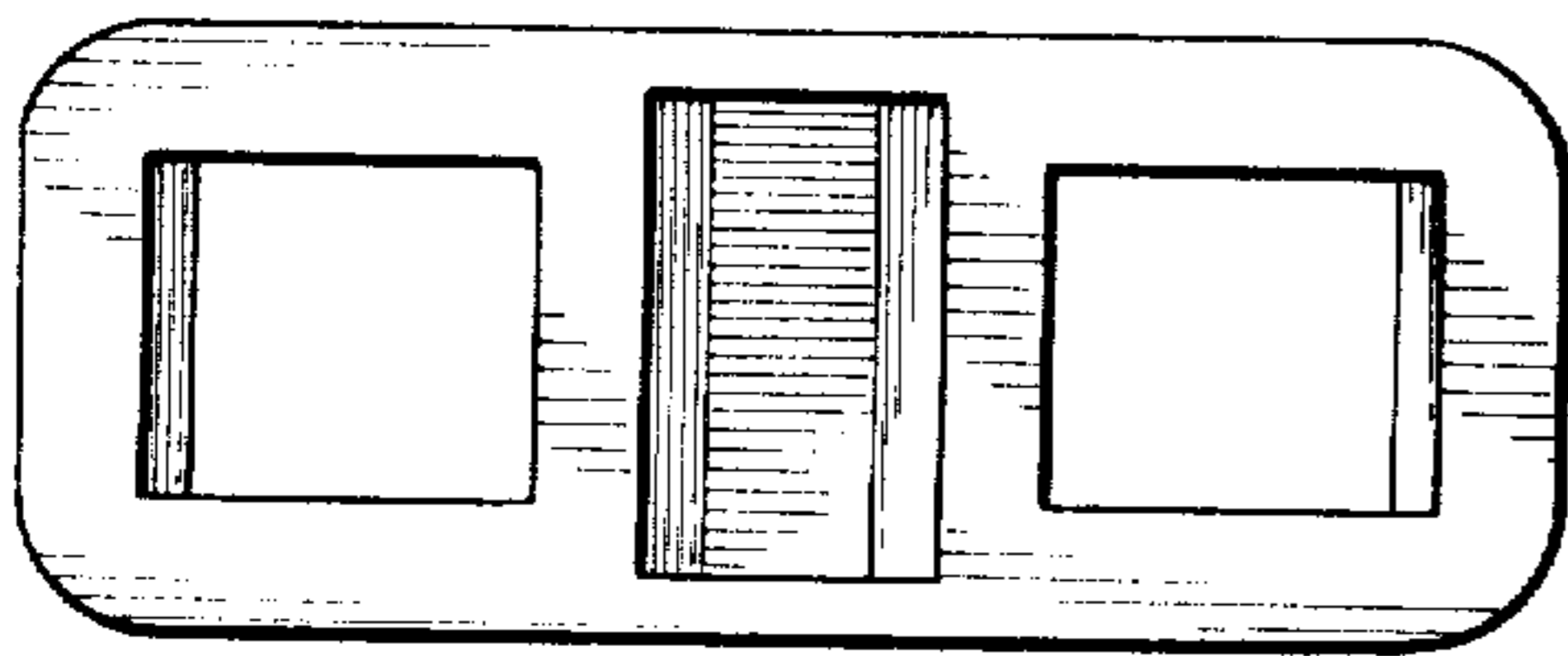


FIG. 7

